

# MODEL TLH-5935

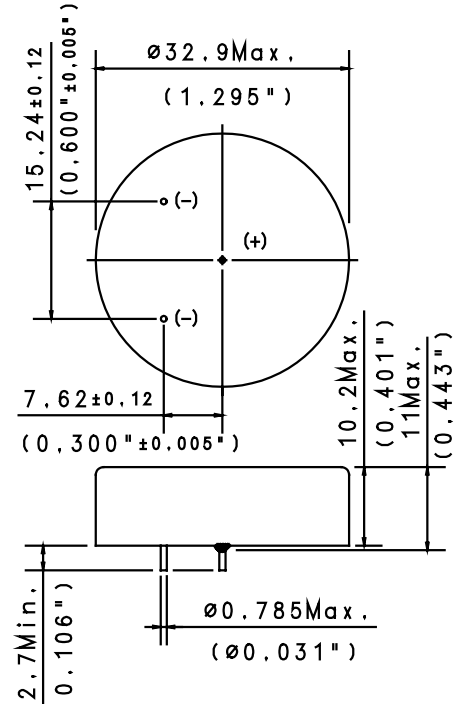
International size reference: 1/6D, ER32L100

## TECHNICAL DATA

(Typical values @+25°C for batteries stored for one year or less)

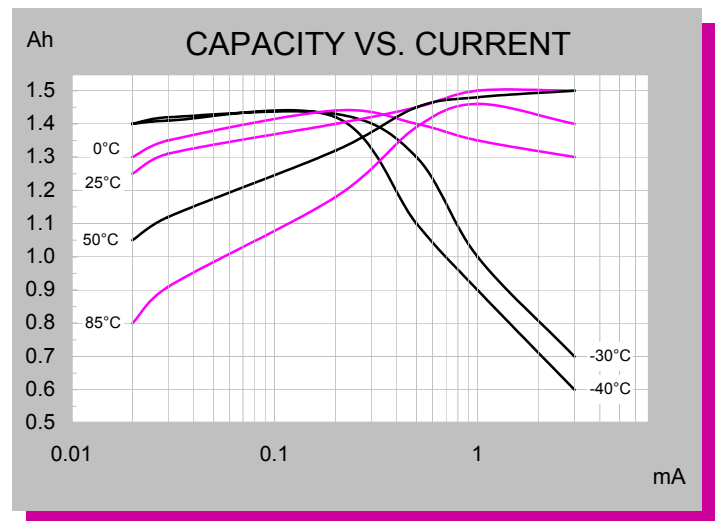
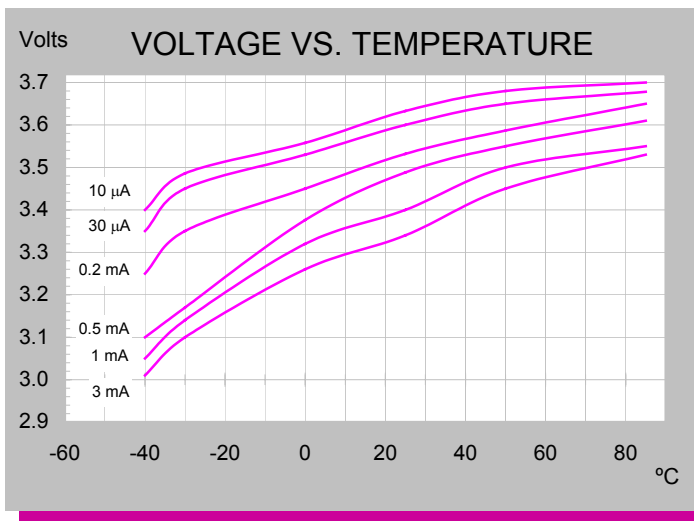
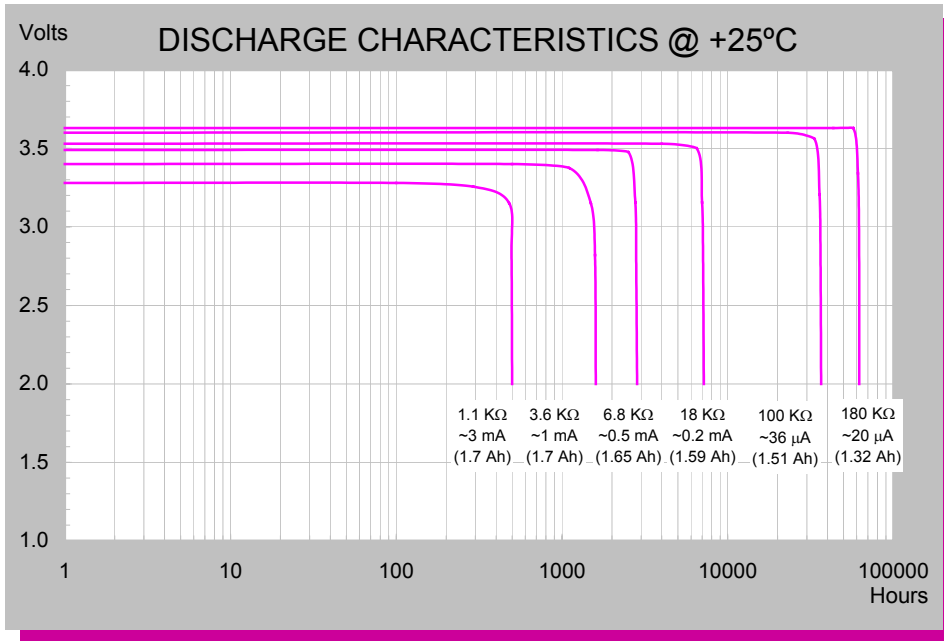
■ Nominal capacity @ 1 mA, to 2 V	1.5 Ah
■ Rated voltage	3.6 V
■ Maximum recommended continuous current	10 mA
■ Maximum pulse current capability	50 mA
■ Weight	21 g (0.74 oz)
■ Volume	8.2 cc
■ Operating temperature range	-55 °C to +125 °C
■ Li metal content	approx. 0.5 g
■ U.L. Component Recognition, MH 12193	

# TADIRAN LITHIUM BATTERIES



### ORDERING NO.

TERMINAL MATERIAL : TIN PLATED NICKEL  
CATALOGUE NO. : 15-5935-41505



## Extended Operating Range

Note: Any presentations in this data sheet concerning performance are for information purpose only and are not construed as warranties either expressed or implied, of future performance.

ECN 1501187 Rev. A 01/06