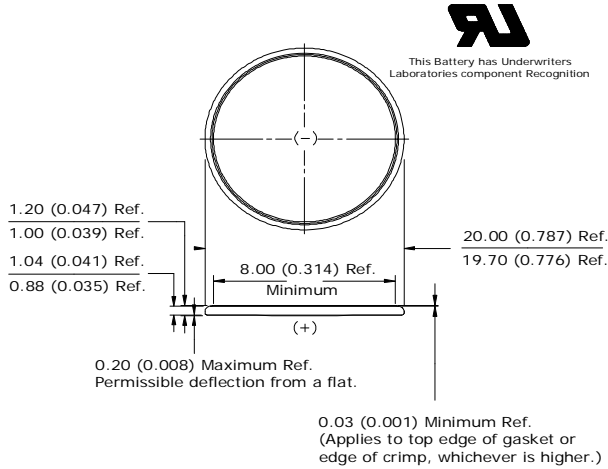


# ENERGIZER NO. CR2012



## Industry Standard Dimensions

mm (inches)



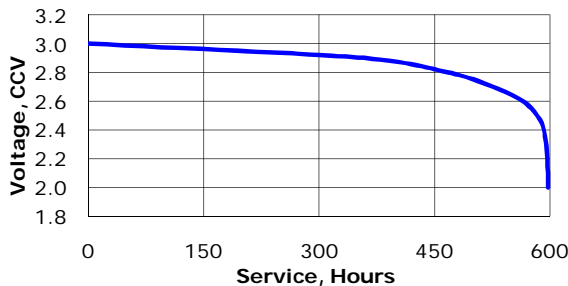
## Simulated Application test

Typical Performance at 21°C (70°F)

Schedule:	Typical Drains: at 2.9V (mA)	Load (ohms)	Cutoff 2.0V (hours)
Continuous	0.097	30,000	598

## Typical Discharge Characteristics

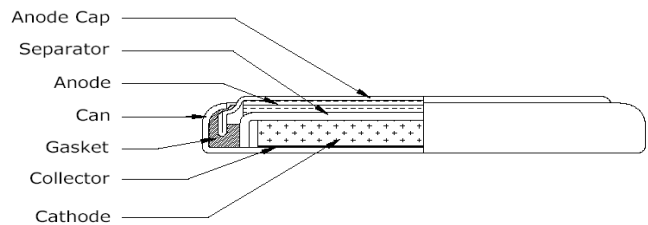
Load: 30K ohms - Continuous  
Typical Drain @ 2.9V: 0.097 mA



## Specifications

- Classification:** "Lithium Coin"
- Chemical System:** Lithium / Manganese Dioxide (Li/MnO<sub>2</sub>)
- Nominal Voltage:** 3.0 Volts
- Typical Capacity:** 58 mAh (to 2.0 volts)  
(Rated at 30K ohms at 21°C)
- Typical Weight:** 1.3 grams (0.04 oz.)
- Typical Volume:** 0.3 cubic centimeters (0.02 cubic inch)
- Max Rev Charge:** 1 microampere
- Energy Density:** 129 milliwatt hr/g, 561 milliwatt hr/cc
- Typical Li Content:** 0.017 grams (0.0006 oz.)
- UL Listed:** MH12454
- Shipping:** For complete details, please reference:  
Global (except US): Special Provision A45 of the International Air Transport Association Dangerous Goods Regulations  
United States: 49 CFR 173.185

## Cross Section

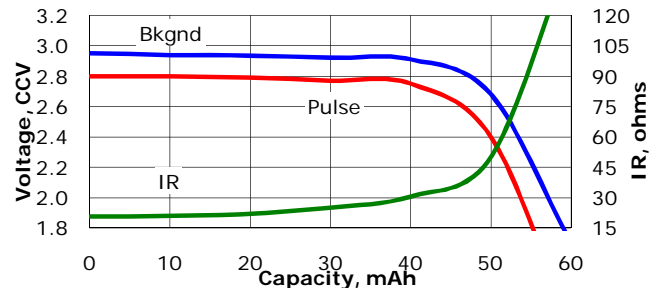


## Internal resistance Characteristics

Pulse Test at 21°C (70°F)

**Bkgnd Drain:** Continuous  
30K ohms  
0.097 mA @ 2.9V

**Pulse Drain:** 2 seconds X 12 times/day  
400 ohms  
6.8 mA @ 2.7V



## Important Notice

This datasheet contains typical information specific to products manufactured at the time of its publication.  
©Energizer Holdings, Inc. - Contents herein do not constitute a warranty.