

ENERGIZER CR2320

Lithium Coin

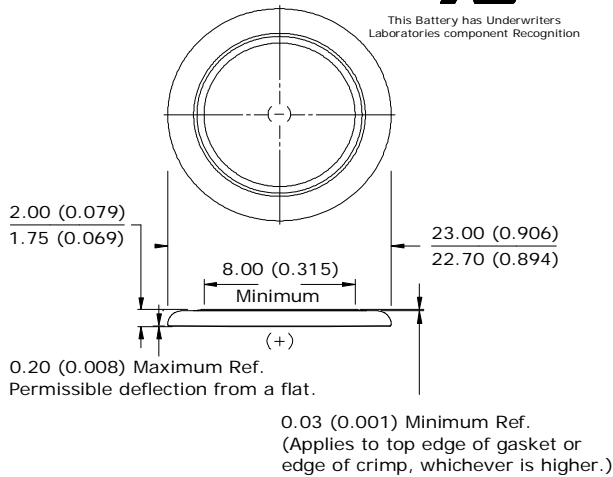


Industry Standard Dimensions

mm (inches)



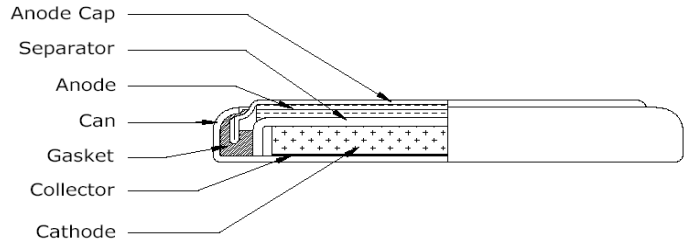
This Battery has Underwriters Laboratories component Recognition



Specifications

- Classification:** "Lithium Coin"
- Chemical System:** Lithium / Manganese Dioxide (Li/MnO₂)
- Nominal Voltage:** 3.0 Volts
- Typical Capacity:** 135 mAh (to 2.0 volts)
(Rated at 10K ohms at 21°C)
- Typical Weight:** 3.0 grams (0.10 oz.)
- Typical Volume:** 0.83 cubic centimeters (0.05 cubic inch)
- Max Rev Charge:** 1 microampere
- Energy Density:** 119 milliwatt hr/g, 472 milliwatt hr/cc
- Typical Li Content:** 0.042 grams (0.0015 oz.)
- UL Listed:** MH12454
- Shipping:** For complete details, please reference:
Global (except US): Special Provision A45 of the International Air Transport Association Dangerous Goods Regulations
United States: 49 CFR 173.185

Cross Section



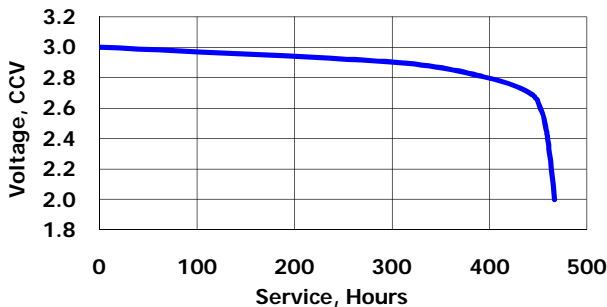
Simulated Application test

Typical Performance at 21°C (70°F)

Schedule:	Typical Drains: at 2.9V (mA)	Load (ohms)	Cutoff 2.0V (hours)
Continuous	0.29	10,000	466

Typical Discharge Characteristics

Load: 10K ohms - Continuous
Typical Drain @ 2.9V: 0.29 mA

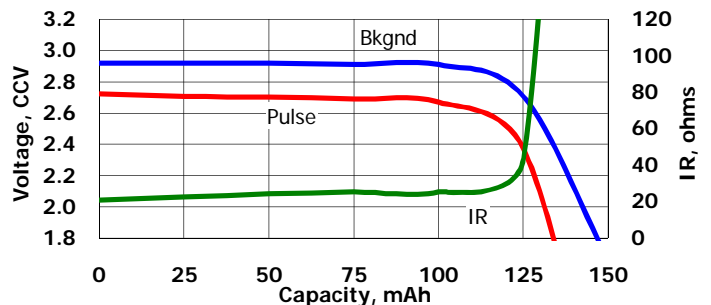


Internal Resistance Characteristics

Pulse Test at 21°C (70°F)

Bkgnd Drain: Continuous
10K ohms
0.29 mA @2.9V

Pulse Drain: 2 seconds X 12 times/day
400 ohms
6.8 mA @2.7V



Important Notice

This datasheet contains typical information specific to products manufactured at the time of its publication.
©Energizer Holdings, Inc. - Contents herein do not constitute a warranty.