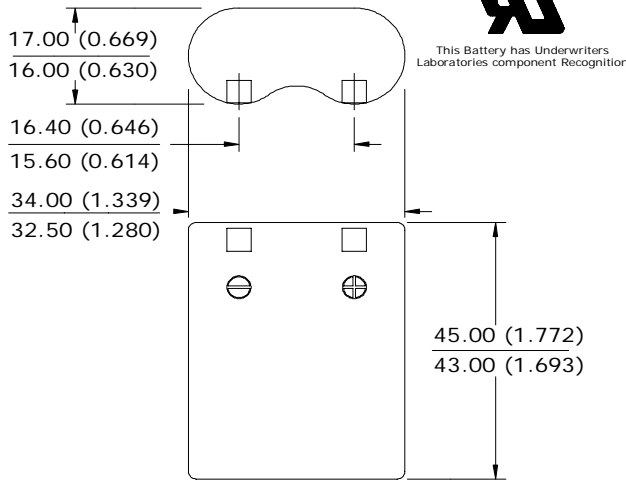


ENERGIZER 2CR5 (EL2CR5)



Industry Standard Dimensions

mm (inches)



This battery contains a Positive Temperature Coefficient (PTC) safety device to limit current during short circuit conditions.

Simulated Application Tests

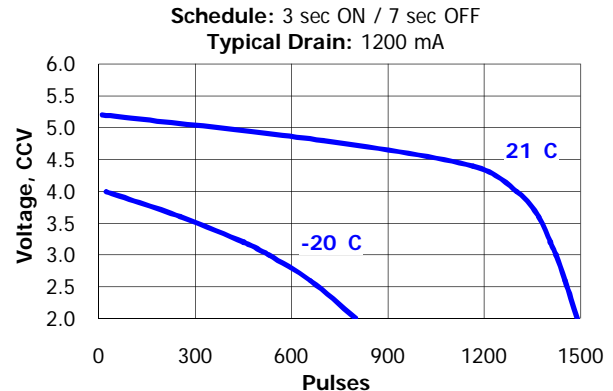
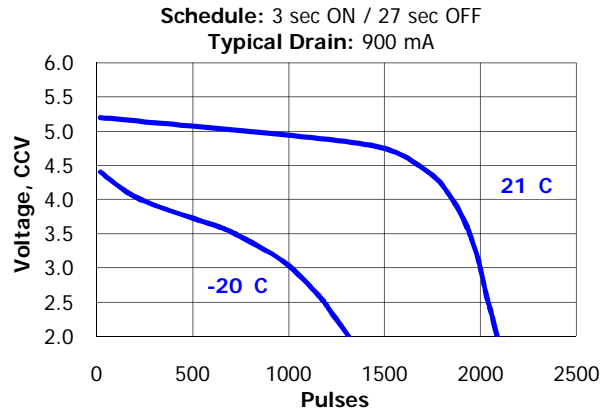
Typical Performance at 21°C (70°F)

Schedule (time)	Drain (mA)	Load (ohms)	Cutoff Voltage		
			4.0V (hours)	3.1V (pulses)	2.0V (pulses)
Continuous	---	200	58	---	---
Continuous	1000	---	1.2	---	---
3 sec ON 7 sec OFF	1200	---	---	---	1500
3 sec ON 27 sec OFF	900	---	---	2000	---

Specifications

- Classification:** "Lithium Photo"
- Chemical System:** Lithium / Manganese Dioxide (Li/MnO₂)
- Designation:** ANSI-50324LC, IEC-2CR5
- Nominal Voltage:** 6.0 Volts
- Storage Temp:** -40°C to 60°C (-40°F to 140°F)
- Operating Temp:** -40°C to 60°C (-40°F to 140°F)
- Typical Capacity:** 1500 mAh (to 4.0 volts)
(Rated at 200 ohms at 21°C)
- Typical Weight:** 40 grams (1.4 oz.)
- Typical Volume:** 26 cubic centimeters (1.6 cubic inch)
- Max Discharge:** 1500 mA continuous (3500 mA pulse)
- Max Rev Charge:** 2 microampere
- Typical Li Content:** 1.15 grams (0.041 oz.)
- UL Listed:** MH12454
- Shipping:** For complete details, please reference:
Global (except US): Special Provision A45 of the International Air Transport Association Dangerous Goods Regulations
United States: 49 CFR 173.185

Typical Discharge Characteristics



Important Notice

This datasheet contains typical information specific to products manufactured at the time of its publication.
©Energizer Holdings, Inc. - Contents herein do not constitute a warranty.