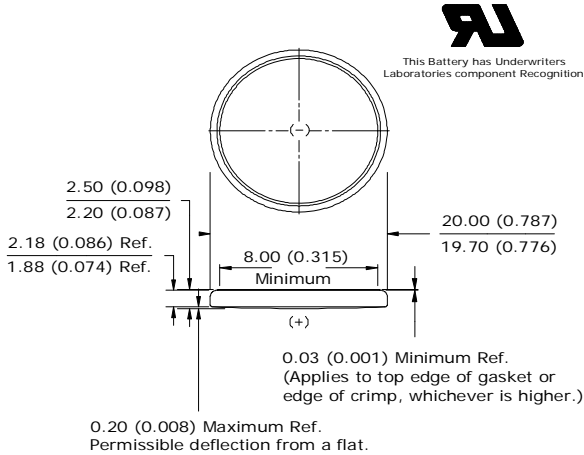


ENERGIZER NO. CR2025



Industry Standard Dimensions

mm (inches)



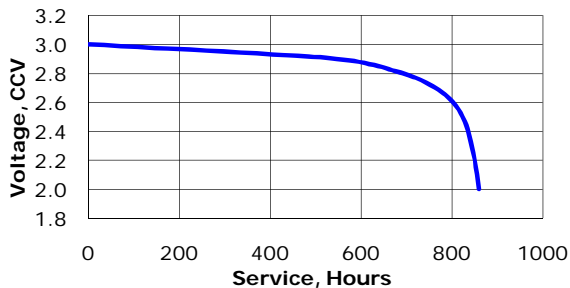
Simulated Application test

Typical Performance at 21°C (70°F)

Schedule:	Typical Drains: at 2.9V (mA)	Load (ohms)	Cutoff 2.0V (hours)
Continuous	0.193	15,000	845

Typical Discharge Characteristics

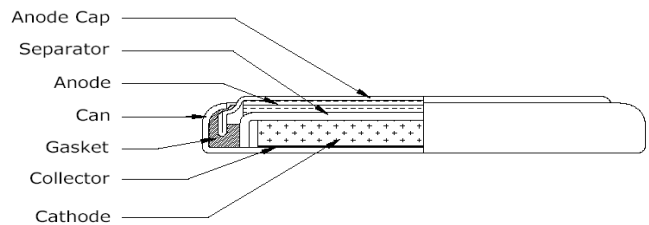
Load: 15K ohms - Continuous
Typical Drain @ 2.9V: 0.193 mA



Specifications

- Classification:** "Lithium Coin"
- Chemical System:** Lithium / Manganese Dioxide (Li/MnO₂)
- Designation:** ANSI / NEDA-5003LC, IEC-CR2025
- Nominal Voltage:** 3.0 Volts
- Typical Capacity:** 163 mAh (to 2.0 volts)
(Rated at 15K ohms at 21°C)
- Typical Weight:** 2.6 grams (0.08 oz.)
- Typical Volume:** 0.8 cubic centimeters (0.05 cubic inch)
- Max Rev Charge:** 1 microampere
- Energy Density:** 176 milliwatt hr/g, 616 milliwatt hr/cc
- Typical Li Content:** 0.078 grams (0.0028 oz.)
- UL Listed:** MH12454
- Shipping:** For complete details, please reference:
Global (except US): Special Provision A45 of the International Air Transport Association Dangerous Goods Regulations
United States: 49 CFR 173.185

Cross Section

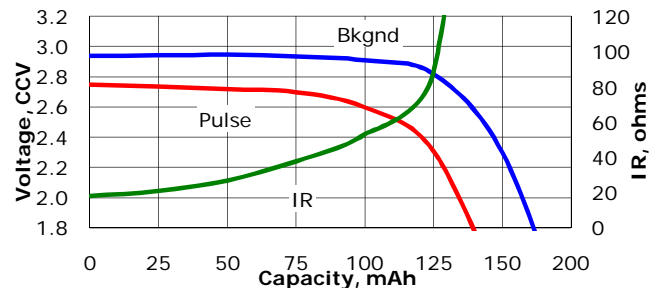


Internal resistance Characteristics

Pulse Test at 21°C (70°F)

Bkgnd Drain: Continuous
15K ohms
0.193 mA @ 2.9V

Pulse Drain: 2 seconds X 12 times/day
400 ohms
6.8 mA @ 2.7V



Important Notice

This datasheet contains typical information specific to products manufactured at the time of its publication.
©Energizer Holdings, Inc. - Contents herein do not constitute a warranty.