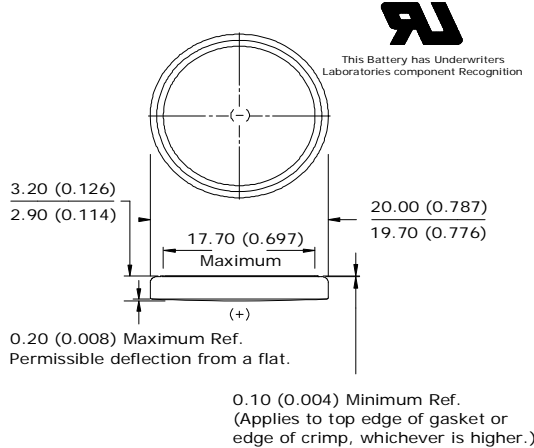


# ENERGIZER NO. CR2032



## Industry Standard Dimensions

mm (inches)

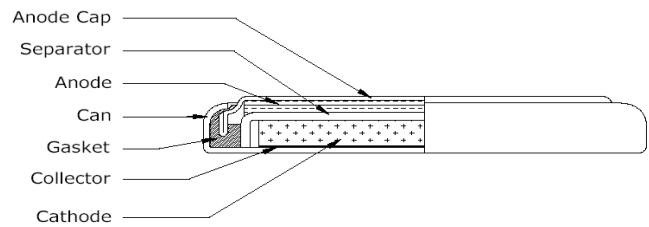


This Battery has Underwriters Laboratories component Recognition

## Specifications

- Classification:** "Lithium Coin"
- Chemical System:** Lithium / Manganese Dioxide (Li/MnO<sub>2</sub>)
- Designation:** ANSI / NEDA-5004LC, IEC-CR2032
- Nominal Voltage:** 3.0 Volts
- Typical Capacity:** 240 mAh (to 2.0 volts)  
(Rated at 15K ohms at 21°C)
- Typical Weight:** 3.0 grams (0.10 oz.)
- Typical Volume:** 1.0 cubic centimeters (0.06 cubic inch)
- Max Rev Charge:** 1 microampere
- Energy Density:** 198 milliwatt hr/g, 653 milliwatt hr/cc
- Typical Li Content:** 0.109 grams (0.0038 oz.)
- UL Listed:** MH12454
- Shipping:** For complete details, please reference:  
Global (except US): Special Provision A45 of the International Air Transport Association Dangerous Goods Regulations  
United States: 49 CFR 173.185

## Cross Section



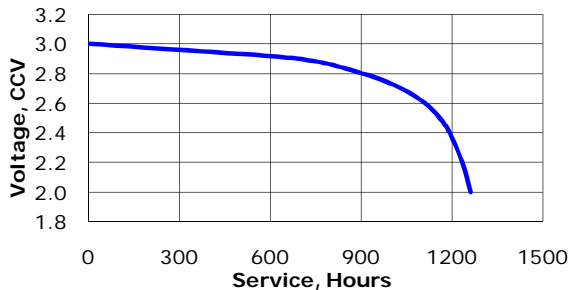
## Simulated Application test

Typical Performance at 21°C (70°F)

Schedule:	Typical Drains: at 2.9V (mA)	Load (ohms)	Cutoff 2.0V (hours)
Continuous	0.19	15,000	1,263

## Typical Discharge Characteristics

Load: 15K ohms - Continuous  
Typical Drain @ 2.9V: 0.19 mA

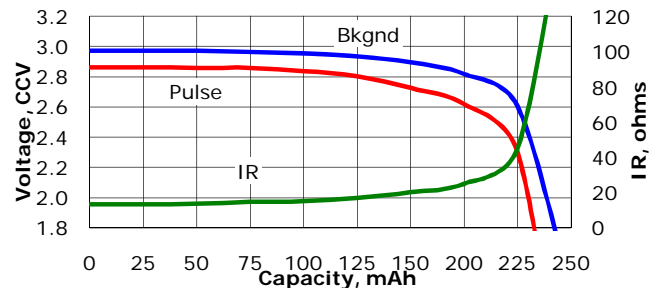


## Internal resistance Characteristics

Pulse Test at 21°C (70°F)

**Bkgnd Drain:** Continuous  
15K ohms  
0.19 mA @2.9V

**Pulse Drain:** 2 seconds X 12 times/day  
400 ohms  
6.8 mA @2.7V



## Important Notice

This datasheet contains typical information specific to products manufactured at the time of its publication.  
©Energizer Holdings, Inc. - Contents herein do not constitute a warranty.