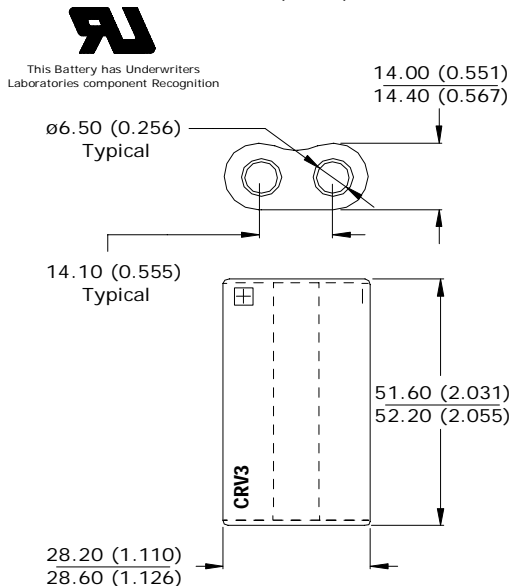


**ENERGIZER CRV3 (ELCRV3)**



**Industry Standard Dimensions**

mm (inches)



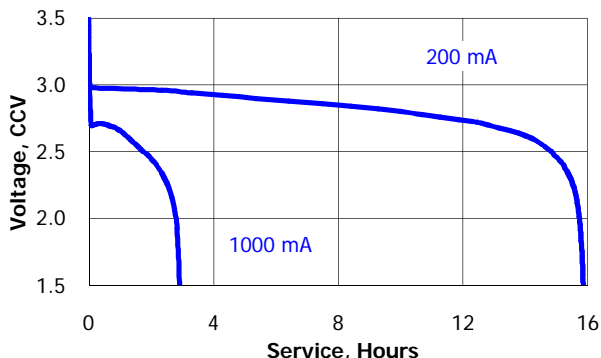
This battery contains a Positive Temperature Coefficient (PTC) safety device to limit current during short circuit conditions.

**Specifications**

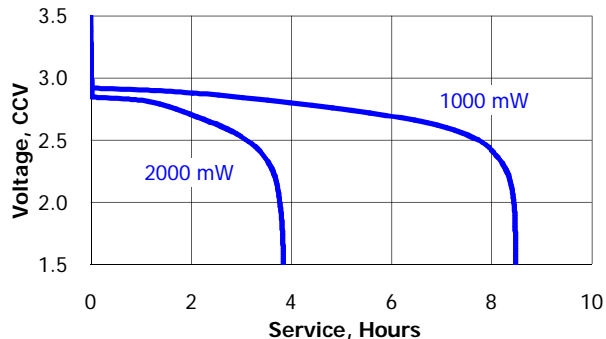
- Classification:** "Lithium Photo"
- Chemical System:** Non-Aqueous Lithium
- Designation:** Pending
- Nominal Voltage:** 3.0 Volts
- Storage Temp:** -40°C to 60°C (-40°F to 140°F)
- Operating Temp:** -40°C to 60°C (-40°F to 140°F)
- Typical Capacity:** 3000 mAh (to 2.0 volts)  
(Rated at 200 mA at 21°C)
- Typical Weight:** 32 grams (1.1 oz.)
- Typical Volume:** 24 cubic centimeters (1.5 cubic inch)
- Max Discharge:** 2000 mA continuous (3000 mA pulse)
- Typical Li Content:** 1.25 grams (0.04 oz.)
- UL Listed:** MH12454
- Shipping:** For complete details, please reference:  
Global (except US): Special Provision A45 of the International Air Transport Association Dangerous Goods Regulations  
United States: 49 CFR 173.185

**Typical Discharge Characteristics**

Constant Current Discharge at 21°C



Constant Power Discharge at 21°C



**Simulated Application Tests**

Typical Performance at 21°C (70°F)

Schedule (time)	Drain (mA)	Drain (mW)	Cutoff Voltage		
			2.5V (hours)	2.0V (hours)	1.5V (hours)
Continuous	200	---	14.7	15.7	15.8
Continuous	1000	---	1.8	2.8	2.9
Continuous	---	1000	7.7	8.5	8.5
Continuous	---	2000	3	3.8	3.8

**Important Notice**

This datasheet contains typical information specific to products manufactured at the time of its publication.  
©Energizer Holdings, Inc. - Contents herein do not constitute a warranty.