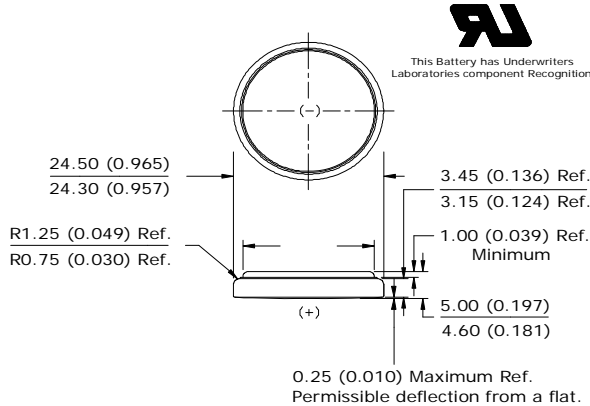


ENERGIZER NO. CR2450



Industry Standard Dimensions

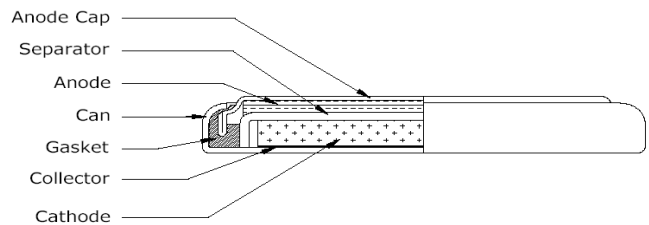
mm (inches)



Specifications

- Classification:** "Lithium Coin"
- Chemical System:** Lithium / Manganese Dioxide (Li/MnO₂)
- Designation:** ANSI / NEDA-5029LC, IEC-CR2450
- Nominal Voltage:** 3.0 Volts
- Typical Capacity:** 620 mAh (to 2.0 volts)
(Rated at 7.5K ohms at 21°C)
- Typical Weight:** 6.8 grams (0.22 oz.)
- Typical Volume:** 2.4 cubic centimeters (0.14 cubic inch)
- Max Rev Charge:** 1 microampere
- Energy Density:** 183 milliwatt hr/g, 647 milliwatt hr/cc
- Typical Li Content:** 0.47 grams (0.0017 oz.)
- UL Listed:** MH12454
- Shipping:** For complete details, please reference:
Global (except US): Special Provision A45 of the International Air Transport Association Dangerous Goods Regulations
United States: 49 CFR 173.185

Cross Section



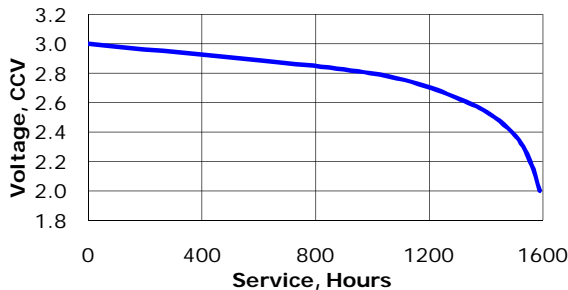
Simulated Application test

Typical Performance at 21°C (70°F)

Schedule:	Typical Drains: at 2.9V (mA)	Load (ohms)	Cutoff 2.0V (hours)
Continuous	0.39	7,500	1,590

Typical Discharge Characteristics

Load: 7.5K ohms - Continuous
Typical Drain @ 2.9V: 0.39 mA

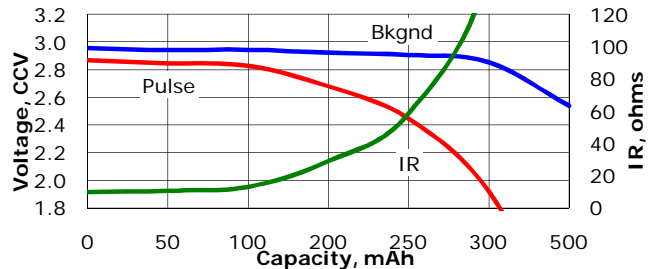


Internal resistance Characteristics

Pulse Test at 21°C (70°F)

Bkgnd Drain: Continuous
7.5K ohms
0.39 mA @2.9V

Pulse Drain: 2 seconds X 12 times/day
300 ohms
9.0 mA @2.7V



Important Notice

This datasheet contains typical information specific to products manufactured at the time of its publication.
©Energizer Holdings, Inc. - Contents herein do not constitute a warranty.