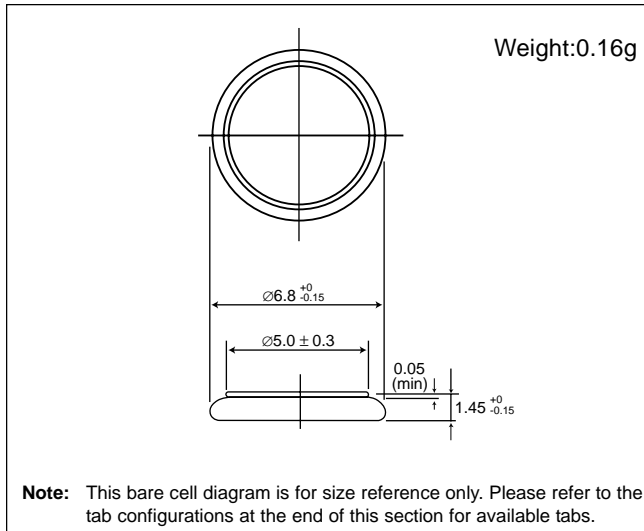


# Manganese Lithium Coin Batteries (ML series): Individual Specifications

## ML614S

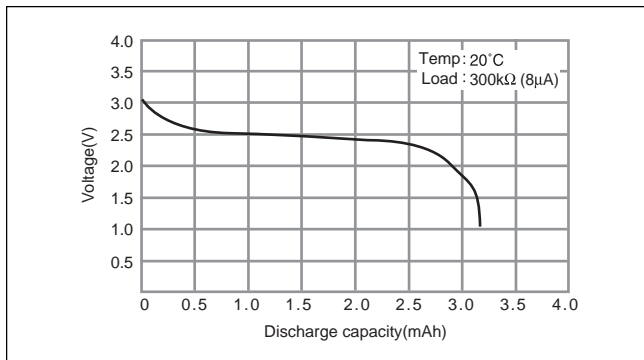
### ■ Dimensions(mm)



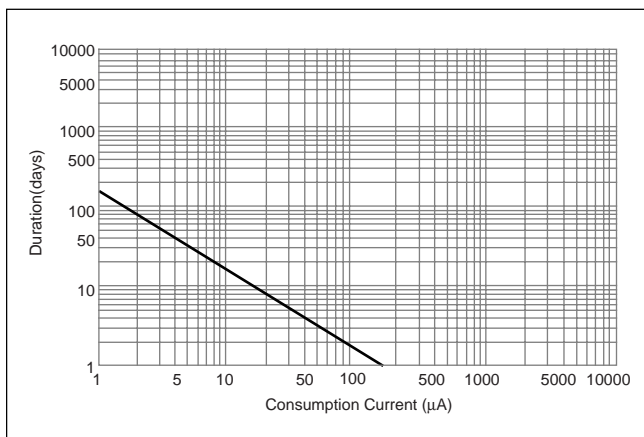
### ■ Specification

Nominal voltage (V)	3
Nominal capacity (mAh)	3.4
Continuous standard load (mA)	0.01
Operating temperature (C)	-20 ~ +60

### ■ Discharge characteristics

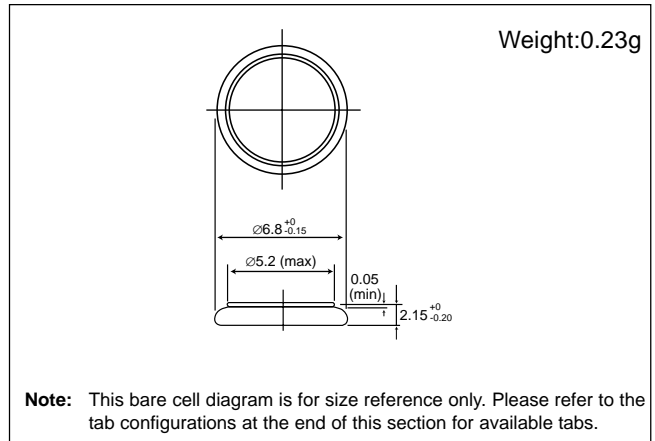


### ■ Consumption current vs. Duration time



## ML621S

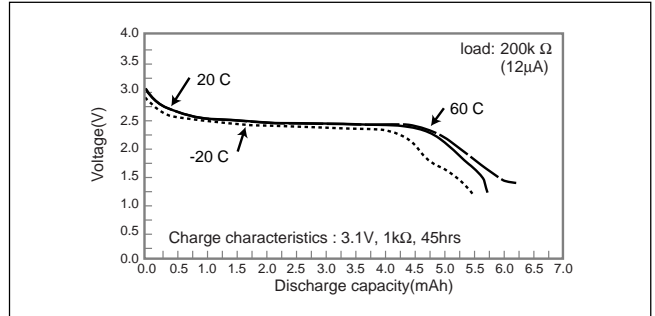
### ■ Dimensions(mm)



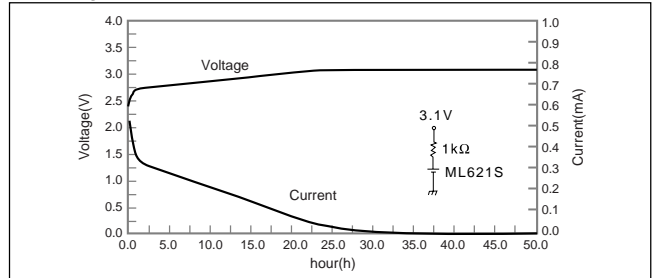
### ■ Specification

Nominal voltage (V)	3
Nominal capacity (mAh)	5
Continuous standard load (mA)	0.01
Operating temperature (C)	-20 ~ +60

### ■ Discharge characteristics



### ■ Charge characteristics



### ■ Consumption current vs. Duration time

