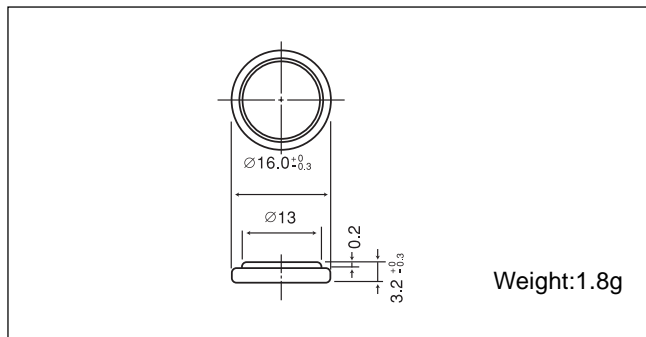


Manganese Dioxide Lithium Coin Batteries: Individual Specifications

CR1632

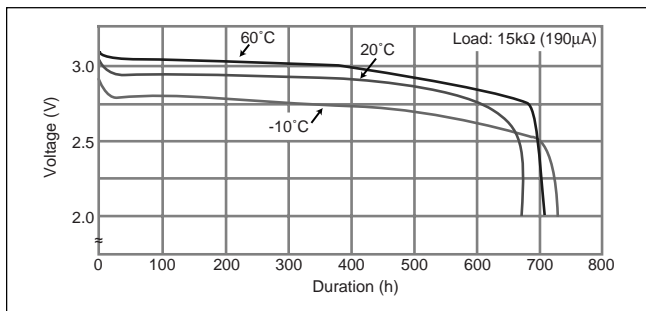
■ Dimensions(mm)



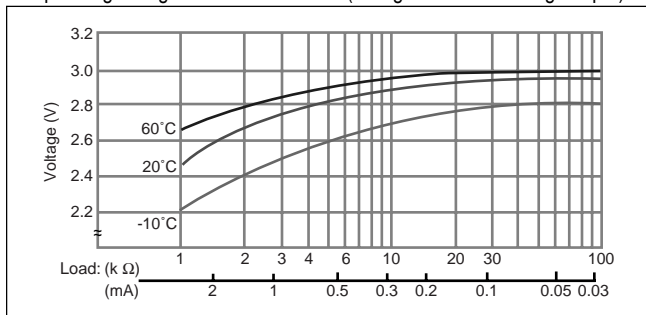
■ Specification

| | |
|-------------------------------|-----------|
| Nominal voltage (V) | 3 |
| Nominal capacity (mAh) | 140 |
| Continuous standard load (mA) | 0.1 |
| Operating temperature (C) | -30 ~ +60 |

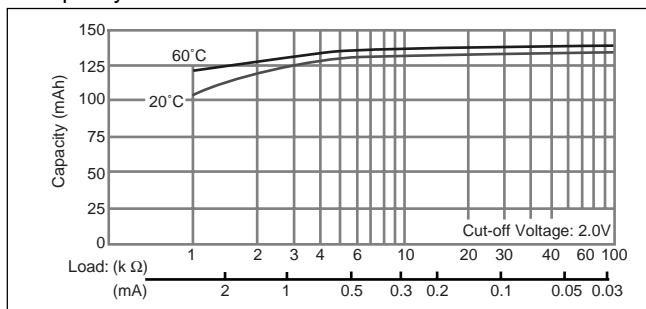
■ Temperature Characteristics



■ Operating voltage vs. load resistance (voltage at 50% discharge depth)

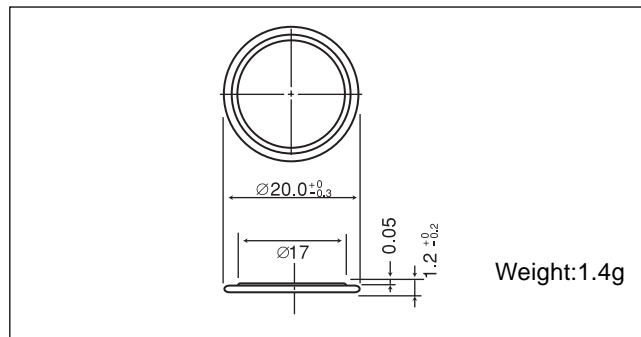


■ Capacity vs. load resistance



CR2012

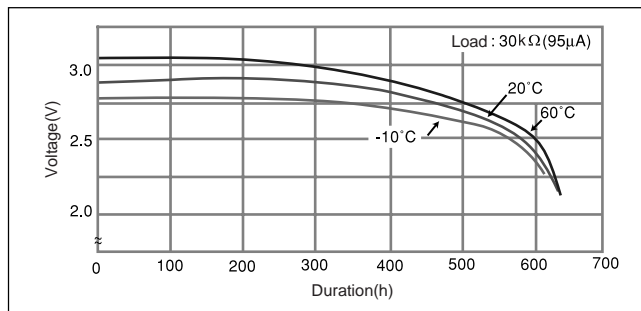
■ Dimensions(mm)



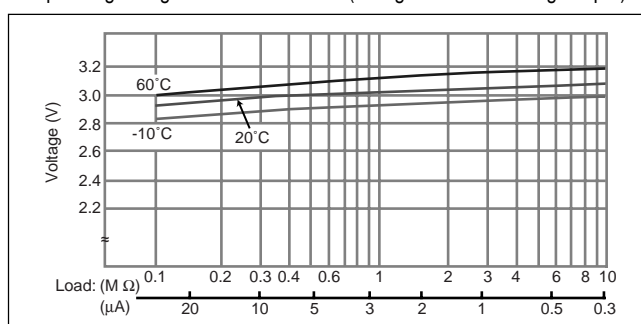
■ Specification

| | |
|-------------------------------|-----------|
| Nominal voltage (V) | 3 |
| Nominal capacity (mAh) | 55 |
| Continuous standard load (mA) | 0.1 |
| Operating temperature (C) | -30 ~ +60 |

■ Temperature Characteristics



■ Operating voltage vs. load resistance (voltage at 50% discharge depth)



■ Capacity vs. load resistance

