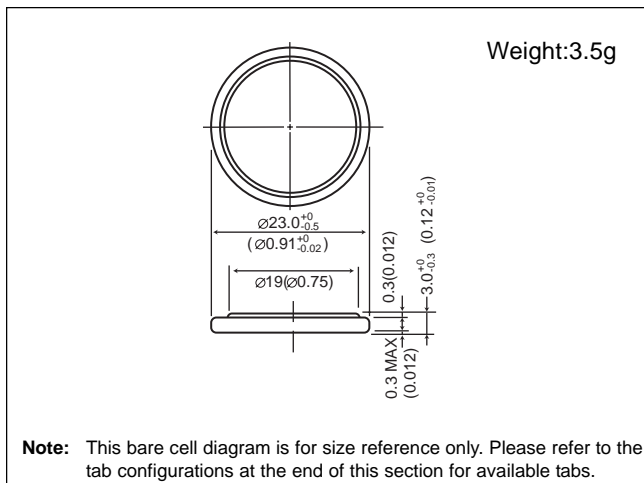


# Vanadium Pentoxide Lithium Coin Batteries (VL Series): Individual Specifications

## VL2330

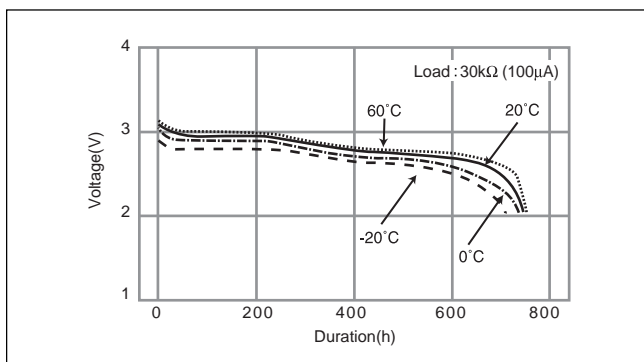
### ■ Dimensions(mm)



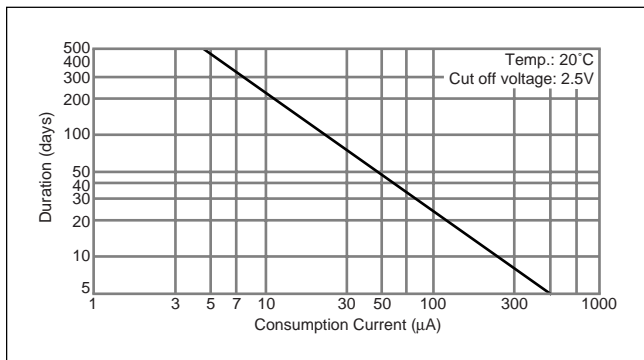
### ■ Specification

Nominal voltage (V)	3
Nominal capacity (mAh)	50.0
Continuous standard load (mA)	0.1
Operating temperature (C)	-20 ~ +60

### ■ Discharge Temperature Characteristics

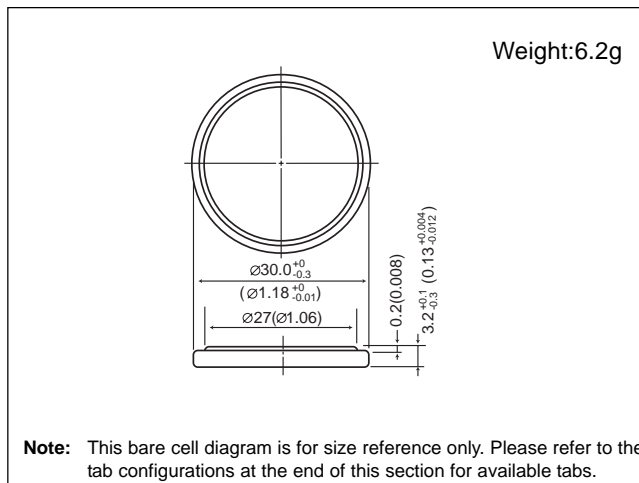


### ■ Consumption current vs. Duration time



## VL3032

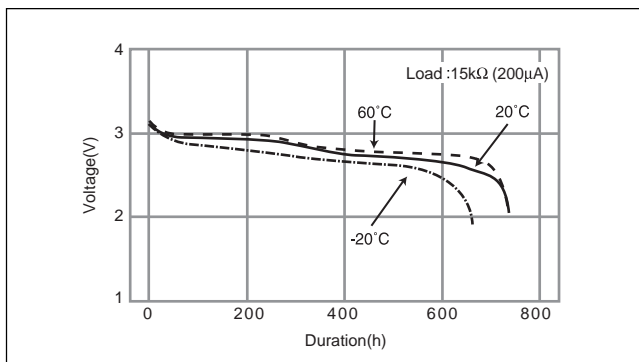
### ■ Dimensions(mm)



### ■ Specification

Nominal voltage (V)	3
Nominal capacity (mAh)	100.0
Continuous standard load (mA)	0.2
Operating temperature (C)	-20 ~ +60

### ■ Discharge Temperature Characteristics



### ■ Consumption current vs. Duration time

