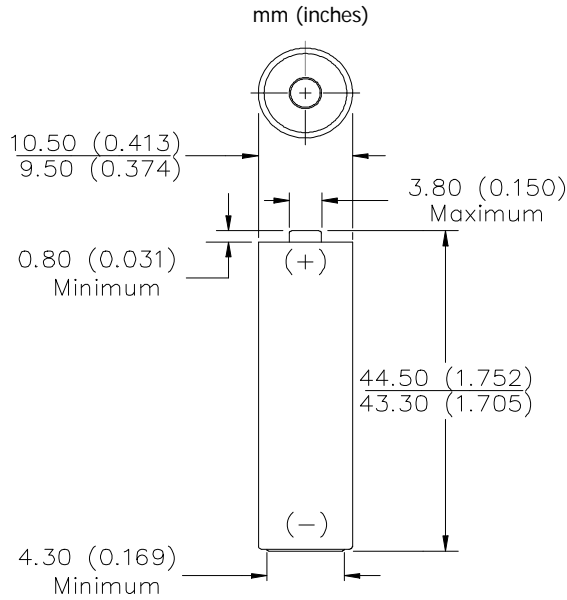


Eveready 1212

**AAA**  
SUPER HEAVY DUTY



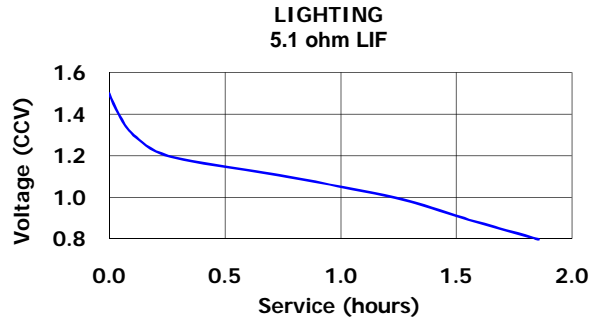
**Industry Standard Dimensions**



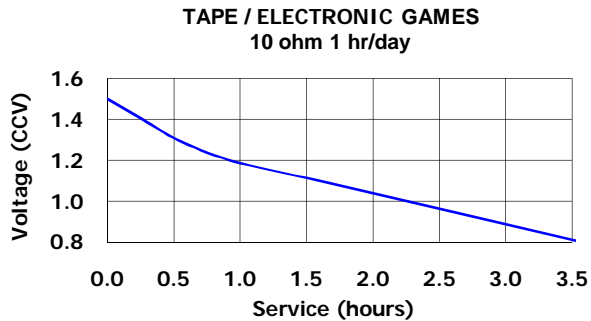
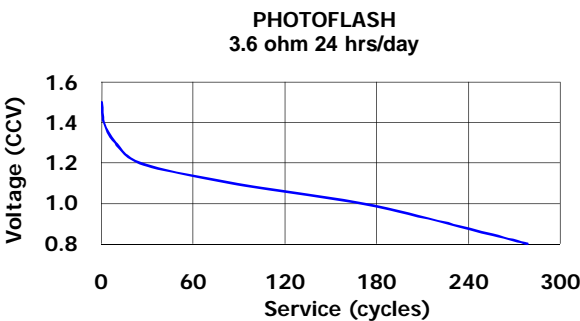
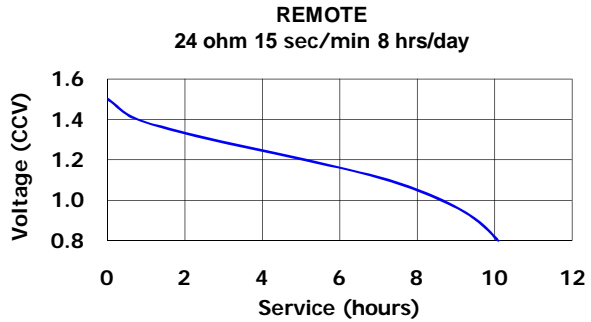
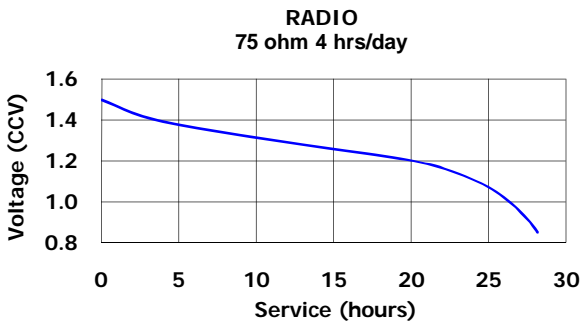
**Chemical System:** Zinc-Manganese Dioxide (Zn/MnO<sub>2</sub>)  
(No Added Mercury or Cadmium)

**Designation:** ANSI-24D, IEC-R03  
**Battery Voltage:** 1.5 Volts  
**Operating Temp:** -18°C to 55°C (0°F to 130°F)  
**Average Weight:** 9.7 grams (0.31 oz.)  
**Volume:** 4.0 cubic centimeters (0.2 cubic inch)  
**Average Capacity:** 540 mAh to 0.8 volts  
(Rated at 25 mA continuous at 21°C)  
**Cell:** One No. 12 (size "AAA")  
**Jacket:** Metal

**Industry Standard Test (21°C)**



**Industry Standard Tests (21°C)**



**Important Notice**

This data sheet contains information specific to batteries manufactured at the time of its publication.

**Contents herein do not constitute a warranty.**

Copyright © Eveready Battery Co. Inc. - All Rights Reserved