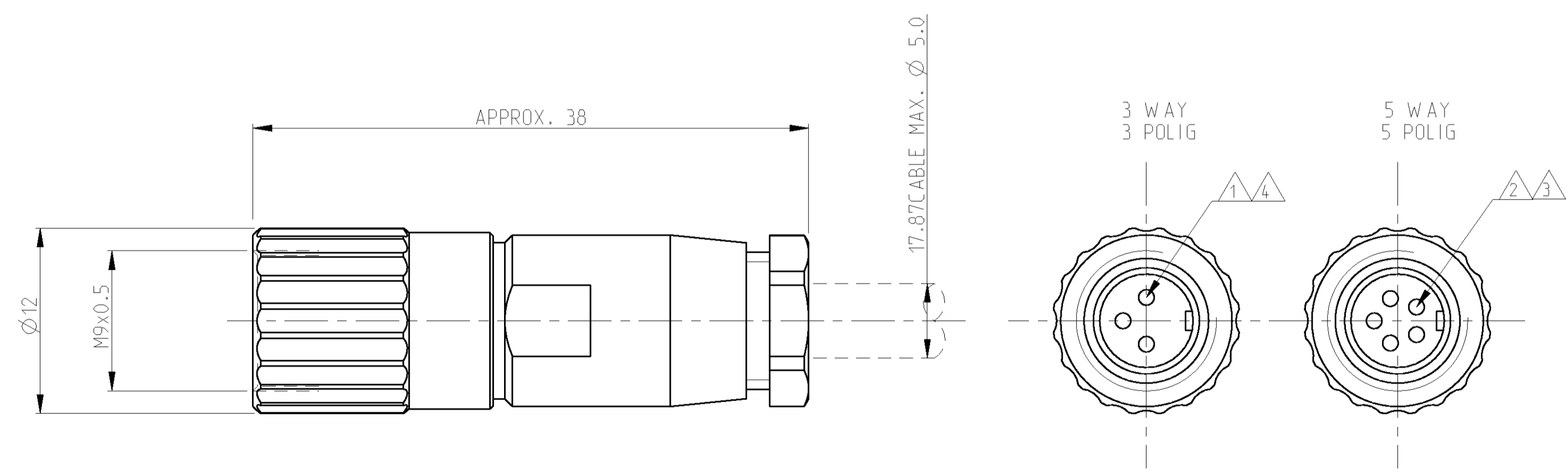
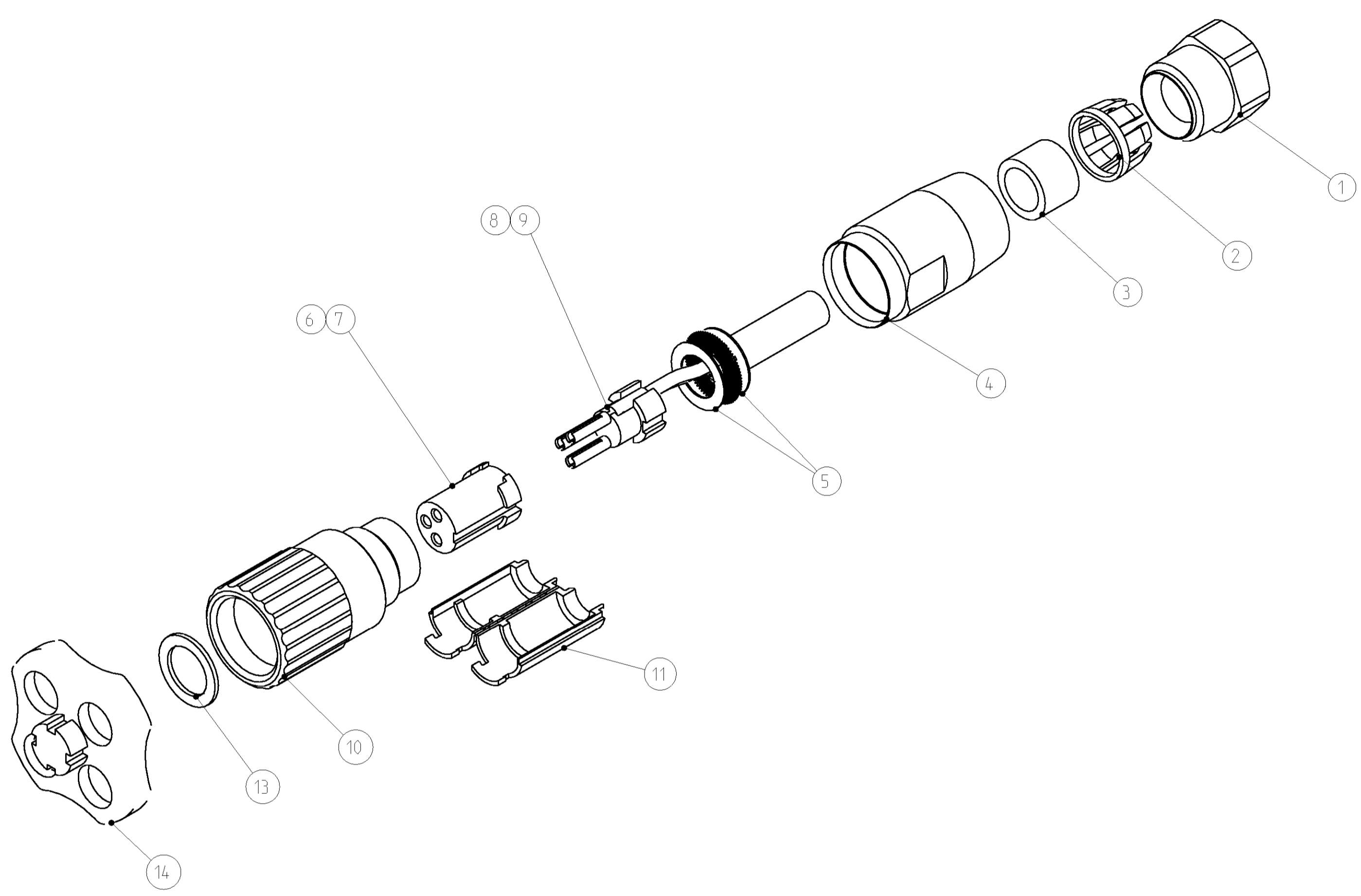


LOC	DIST	REV	DATE	BY	APP
A1	-	A1	18JUN2001	NG	GF
		A2	10SEP2002	NG	GF

MATERIAL / MATERIAL: PBT, UL-94 V2 SHELL MATERIAL / GEHAUSEMATERIAL: BRASS/MESSING FINISH / BESCHICHTUNG: TRIBOR 4 µm	△5
WIRE GAGE / DRAHTGROSSE IN mm ² : 0.5	△4
WIRE GAGE / DRAHTGROSSE IN mm ² : 0.14 OR 0.25	△3
CRIMP CONTACT / CRIMP KONTAKT: SEE PN 5-1437720-7	△2
CRIMP CONTACT / CRIMP KONTAKT: SEE PN 5-1437720-6	△1
SHELL PROTECTION CLASS / SCHUTZKLASSE: IP 65 / DIN 40050	
TEST VOLTAGE / PRUEFSPANNUNG: 500 VAC	
OPERATING VOLTAGE / BETRIEBSSPANNUNG: 60 VAC	
OPERATING TEMPERATURE: -40°C TO +80°C / ARBEITSTEMPERATUR: -40°C BIS +80°C	
MATING CYCLES / STECKZYKLEN: 500 MAX.	
TECHNICAL DATA TECHNISCHE DATEN	



△ CONTACTS OF TYPE TYCO-PN: 5-1437720-6/T01-0540-S03 MUST BE ORDERED SEPARATELY
KONTAKTE DES TYPUS TYCO-PN: 5-1437720-6/T01-0540-S03 MUESSEN SEPARAT BESTELT WERDEN

△ CONTACTS OF TYPE TYCO-PN: 5-1437720-7/T01-0540-S05 MUST BE ORDERED SEPARATELY
KONTAKTE DES TYPUS TYCO-PN: 5-1437720-7/T01-0540-S05 MUESSEN SEPARAT BESTELT WERDEN

TYCO-NO. / TYCO NR.	QTY REQD PER ASSY	DESCRIPTION / BESCHREIBUNG	ITEM-NO. TEIL-NR.
1-1437719-4	1	MOUNTING WRENCH / MONTAGESCHLUESSEL	14
1-1437719-3	1	SEALING PAD / GUMMIDICHTUNG	13
	1	MOUNTING INSTRUCTION / MONTAGEANLEITUNG	12
	1	INSULATION TUBE / ISOLIERHUELSE	11
	1	SCREWING TUBE / SCHRAUBHUELSE	10
	1	CONTACT HOLDER 5 WAY / STIFTHALTER 5 POLIG	9
	1	CONTACT HOLDER 3 WAY / STIFTHALTER 3 POLIG	8
	1	CONTACT CARRIER 5 WAY / STIFTTRAEGER 5 POLIG	7
	1	CONTACT CARRIER 3 WAY / STIFTTRAEGER 3 POLIG	6
	2	GROUNDING PLATE FOR 360°SHIELDING CONNECTION/ MASSESCHEIBE FUER 360°ABSCHIRMUNG	5
	1	HOUSING / GEHAUSE	4
	1	CABLE SEALING / KABELDICHTUNG	3
	1	STRAIN RELIEF / ZUGENTLASTUNGSKRONE	2
	1	STRAIN RELIEF NUT / ZUGENTLASTUNGSMUTTER	1
	-	REVISION OF EACH ASSY NO. (WHEN BLANK, USE DWG REV.)	
T01-0540-S05		DESCRIPTION / BESCHREIBUNG	ITEM-NO. TEIL-NR.
T01-0540-S03		PARTS LIST / TEILE LISTE	
CATALOG-NO.			

△ 1-1437719-4	100 PLUG CONNECTORS / STECKVERBINDER COMPONENT PARTS PACKAGED PER 100	TYCO-NO. / TYCO-NR.	ORDER QUANTITY / BESTELLMENGE
△ 1-1437719-3	100 PLUG CONNECTOR / STECKVERBINDER COMPONENT PARTS PACKAGED PER 100		