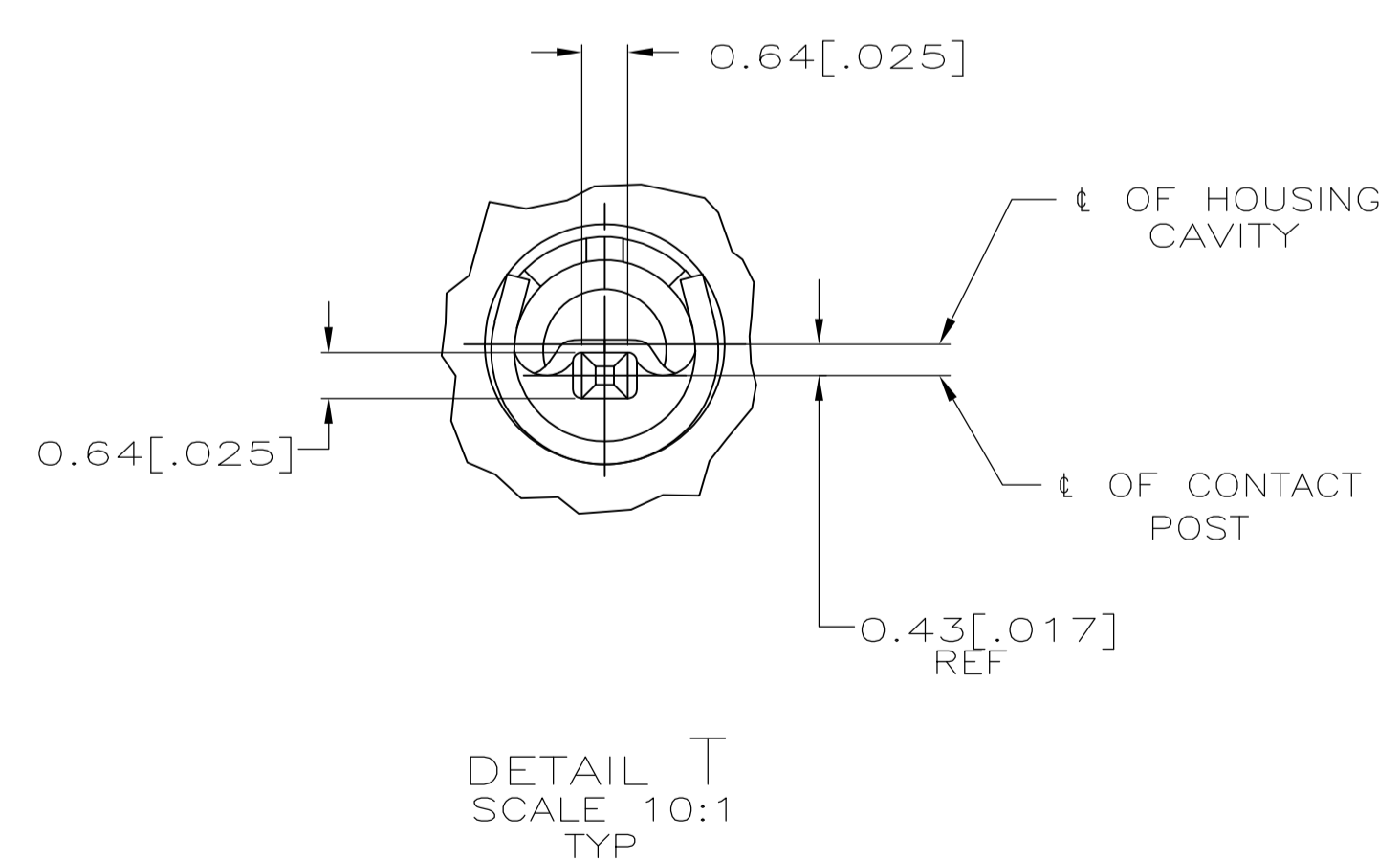
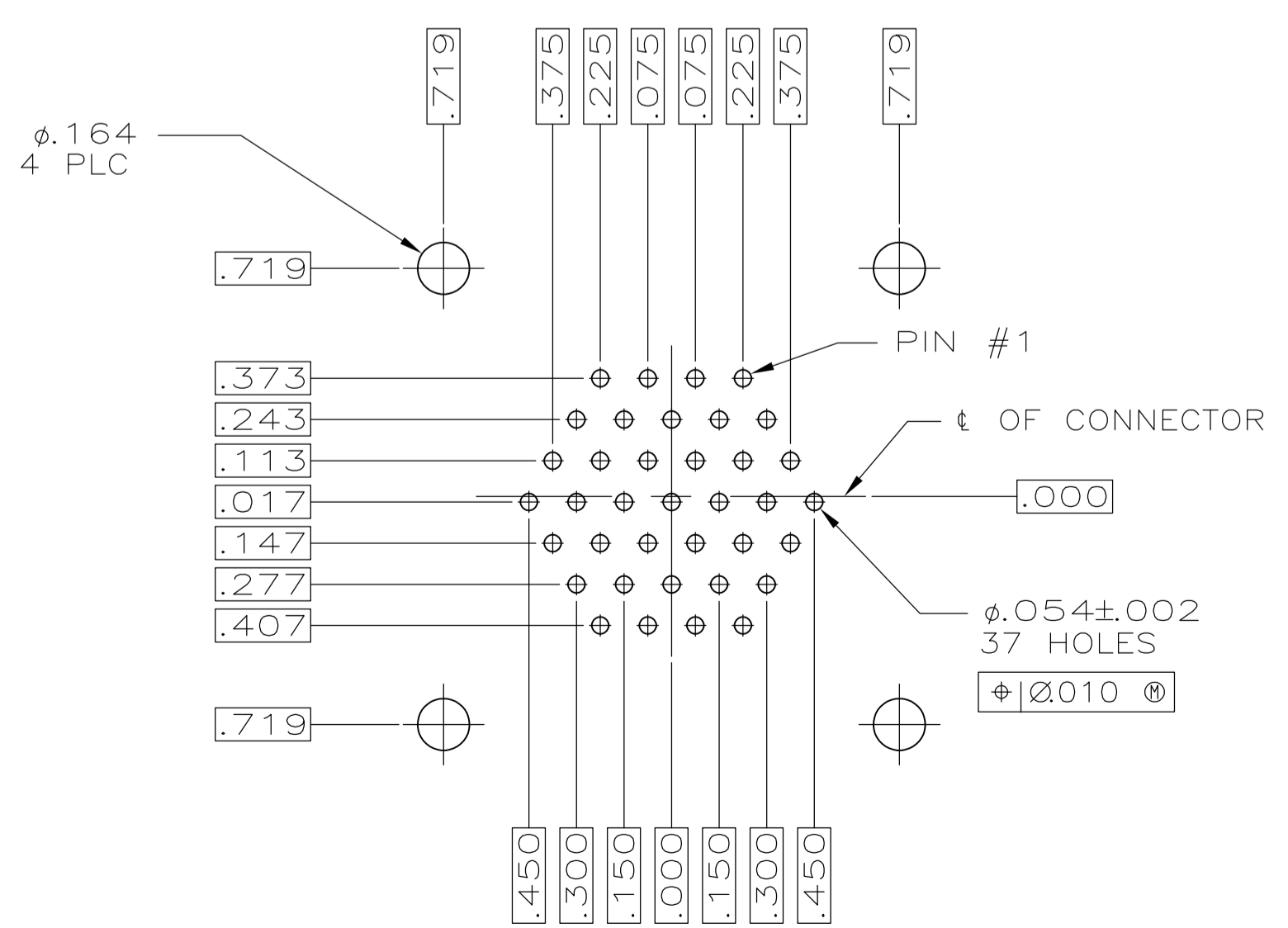


- CONNECTOR WILL ACCEPT POSTED TYPE III+ PIN CONTACTS.
- CONTACT BODY: SELECT GOLD OVER NICKEL.
CONTACT POST: TIN-LEAD PER MIL-T-10727 OVER COPPER PER MIL-C-14550A.
- RECOMMENDED PC BOARD HOLE SIZE FOR CONTACT POST: 1.02±0.08[.040±.003] DIA.
- CONTACT BODY: SELECT GOLD OVER NICKEL.
CONTACT POST: TIN OVER COPPER.
- POSITIONS LOADED WITH CONTACTS: 1-4, 10-17, 19-22, 24, 25, 29, 30, 32, 33.
- POSITIONS LOADED WITH CONTACTS: 1-20, 22-28, 30-37

PRELIMINARY	NO	NO	NO	.150±.003	.220	2-206934-3
	NO	NO	YES	.150±.003	.119	2-206934-2
	NO	NO	NO	.150±.003	.119	2-206934-1
	NO	YES	YES	-	.618	2-206934-0
	NO	NO	NO	.150±.003	.618	1-206934-9
	NO	NO	NO	.150±.003	.429	1-206934-8
	NO	YES	YES	-	.119	1-206934-7
PRELIMINARY	NO	NO	YES	.150±.003	.429	1-206934-5
	NO	YES	NO	-	.618	1-206934-4
PRELIMINARY	NO	YES	NO	-	.220	1-206934-3
PRELIMINARY	NO	NO	NO	.150±.003	.429	1-206934-2
	NO	NO	NO	.150±.003	.220	1-206934-1
PRELIMINARY	YES	NO	YES	-	.119	1-206934-0
	NO	YES	YES	-	.119	206934-9
	NO	NO	NO	.150±.003	.618	206934-7
	NO	NO	NO	.150±.003	.429	206934-6
	NO	NO	NO	.150±.003	.119	206934-5
OBSOLETE	NO	YES	NO	-	.220	206934-4
OBSOLETE	NO	NO	NO	.158±.001	.618	206934-3
OBSOLETE	NO	NO	NO	.158±.001	.429	206934-2
	NO	NO	NO	.150±.003	.220	206934-1



RECOMMENDED P.C. BOARD LAYOUT

THIS DRAWING IS A CONTROLLED DOCUMENT.

DIMENSIONS: mm	TOLERANCES UNLESS OTHERWISE SPECIFIED:	DIN 5-30-91	APVD: K. REAVER	NAME: RECEPTACLE ASSEMBLY, POSTED, STD SEX, SERIES 1, 23-37, CPC
0 PLC ± -	1 PLC ± -	2 PLC ± -	3 PLC ± .005	4 PLC ± -
ANGLES ± -				
MATERIAL: SEE CALLOUT	FINISH: CONTACT: Δ	WEIGHT: -	SIZE: A1	CAGE CODE: 00779
			DRAWING NO: 206934	RESTRICTED TO: -
			CUSTOMER DRAWING	SCALE: 2:1 SHEET: 1 OF 1 REV: AE

tyco Electronics Tyco Electronics Corporation Harrisburg, PA 17105-3608