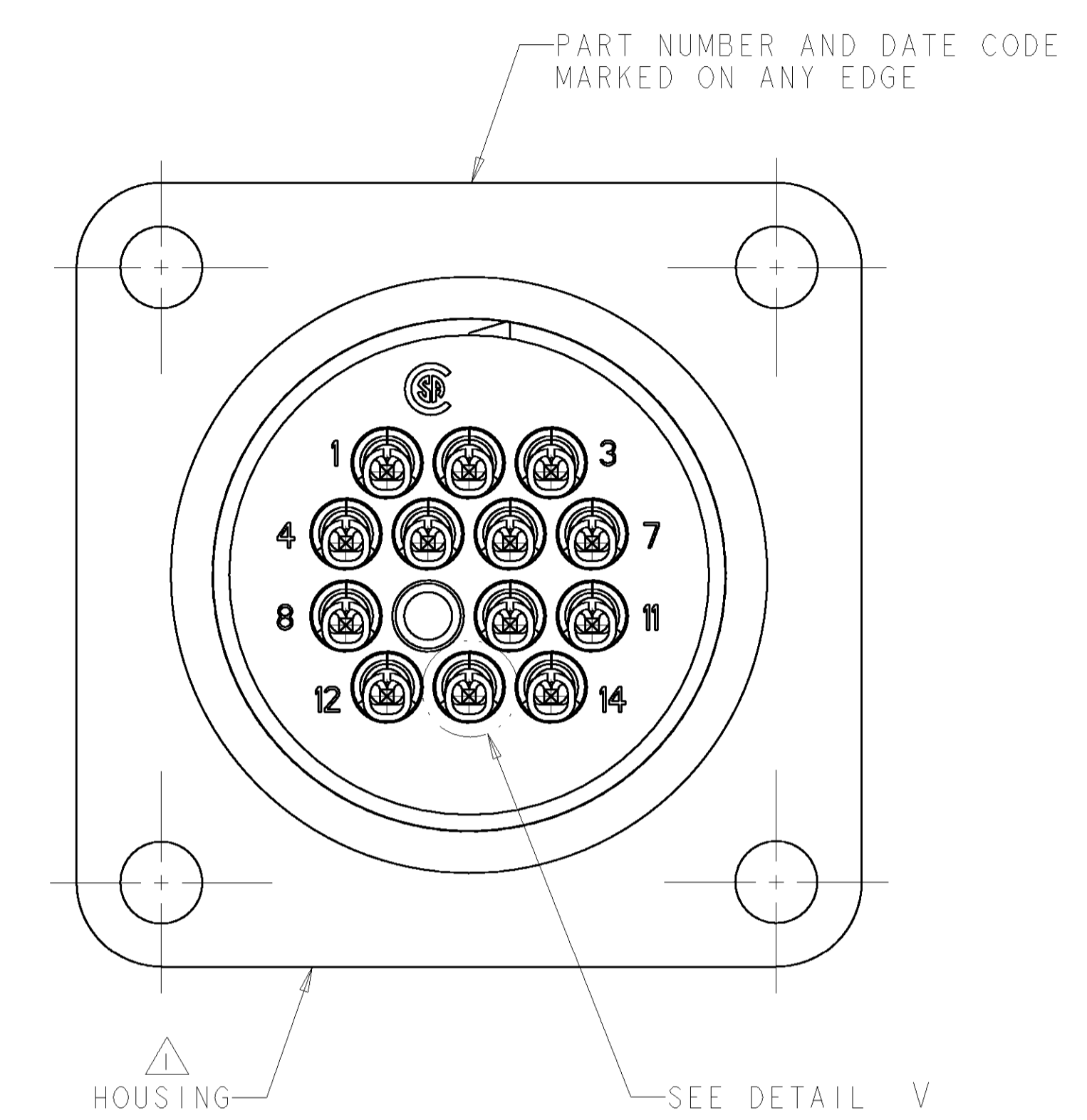
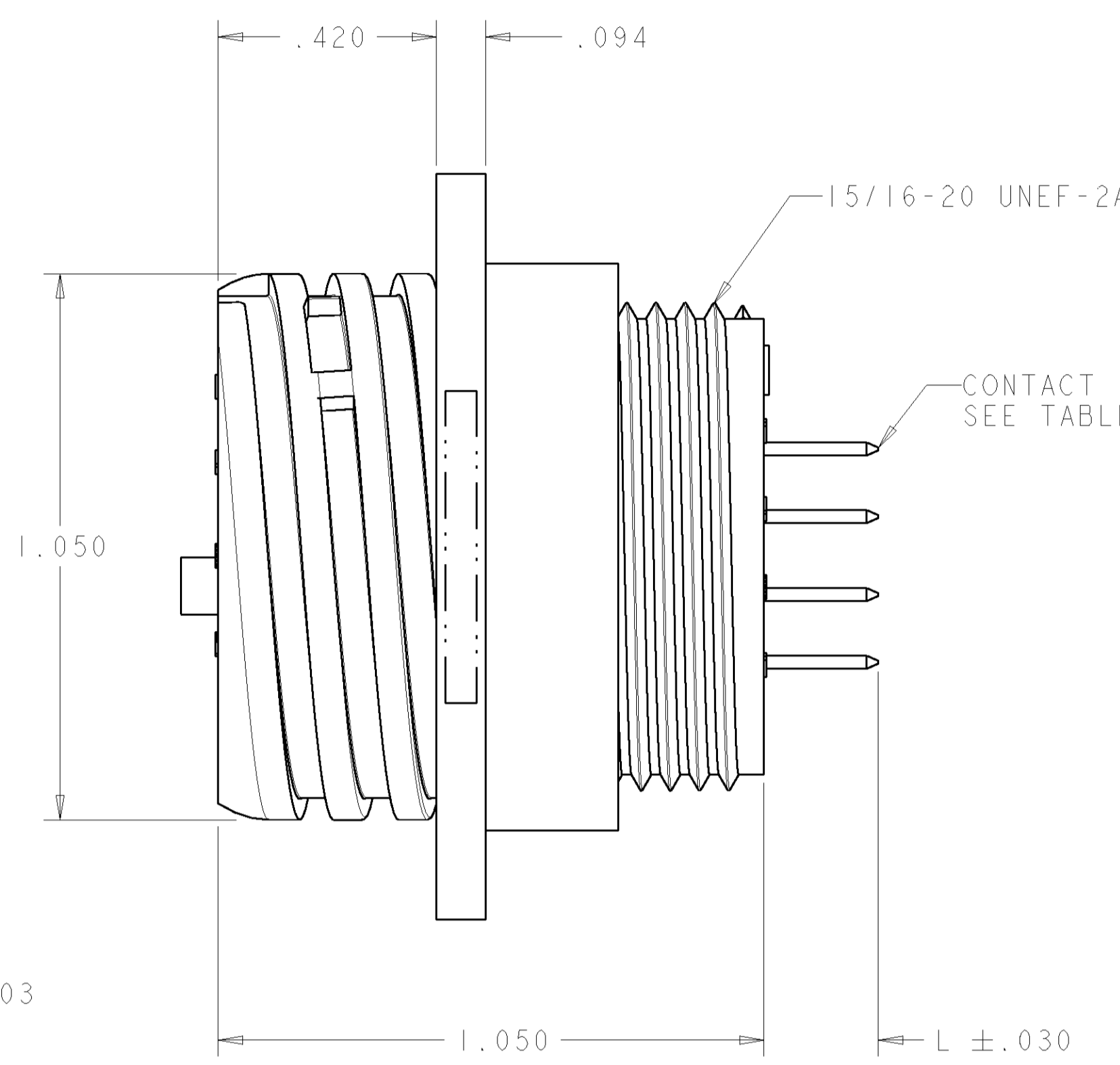
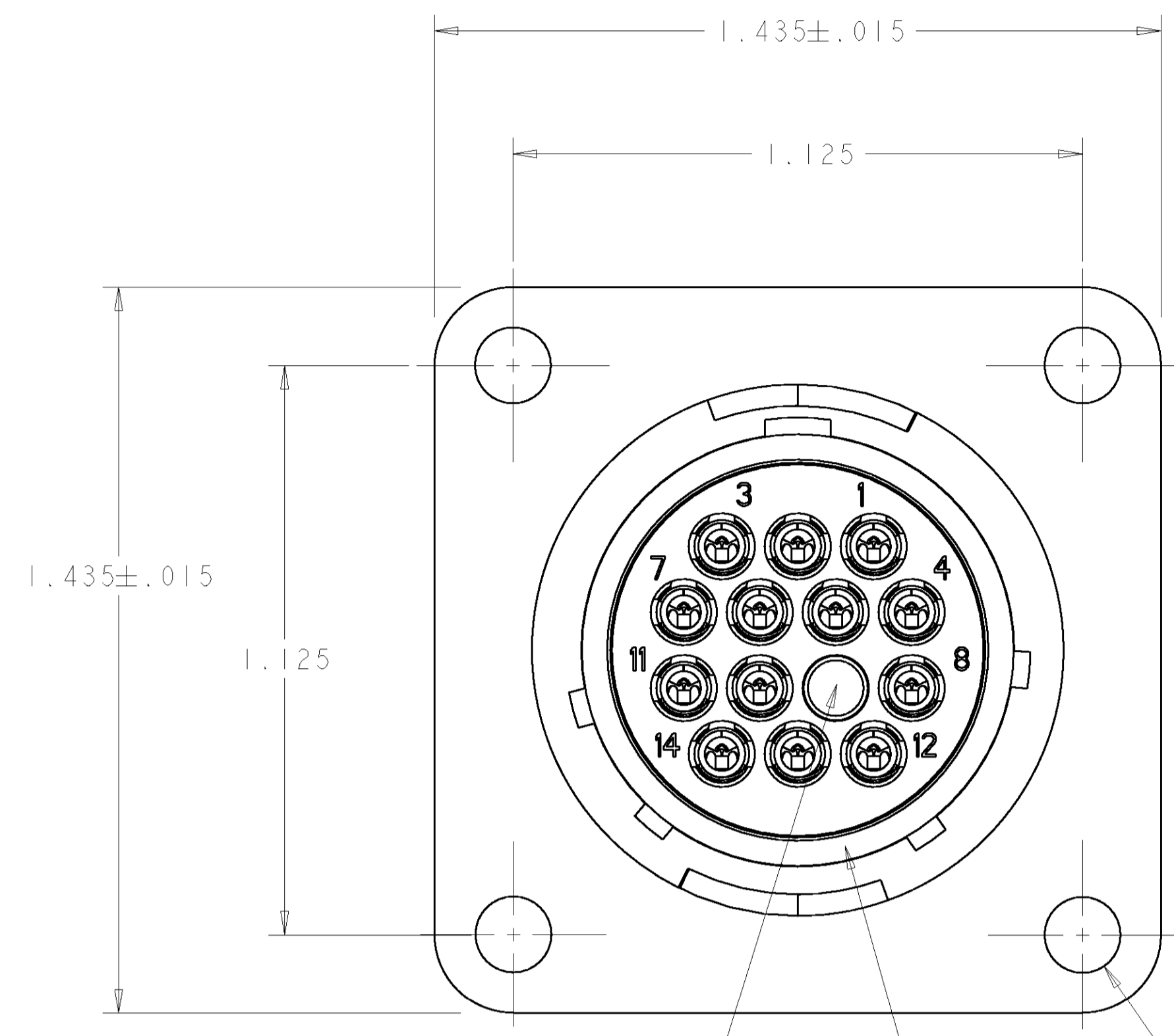


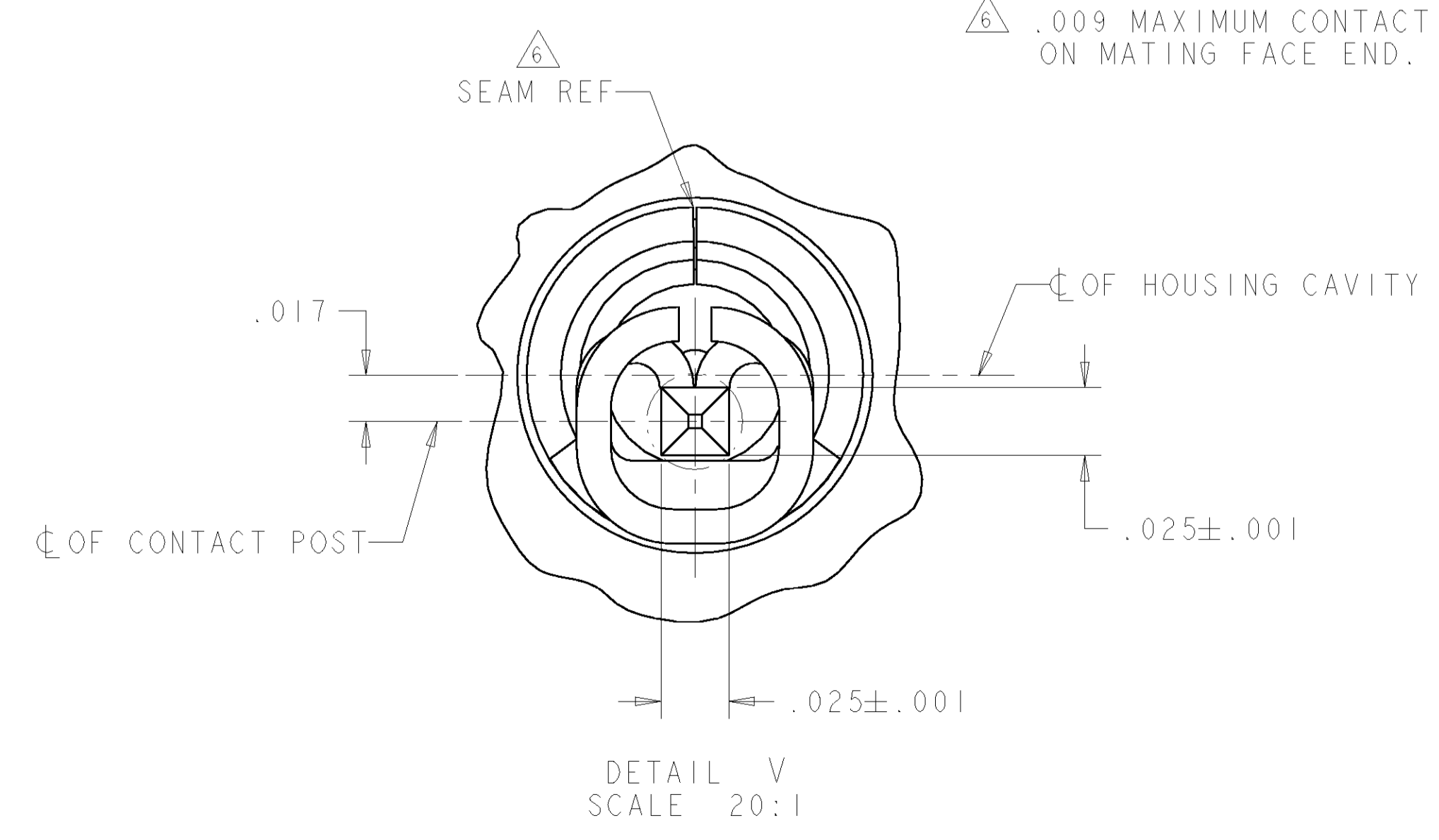
LOC	DIST	REVISIONS					
FT	0	P	LTR	DESCRIPTION	DATE	DWN	APVD
		L		REVISED EC 063B-0890-03	24NOV2003	SW	SH
		M		REVISED EC 063B-0224-04	22MAR2004	SW	SH
		N		REVISED EC 063B-0081-05	21FEB2005	SW	HW
		P		ADDED 1-7, 1-8 ECO-06-002610	15FEB2006	SW	SH



KEYING PLUG SEE TABLE  
 PERIPHERAL SEAL SEE TABLE  
 HOUSING  
 SEE DETAIL V

- ① HOUSING: NYLON, UL 94 V-0 RATED, BLACK.
- ② CONTACT:  
 BODY - BRASS, .000100 MIN TIN-LEAD OVER .000050 MIN NICKEL.  
 POST - BRASS, .000100 MIN TIN-LEAD OVER .000050 MIN NICKEL.
- ③ CONTACT:  
 BODY - BRASS, .000100 MIN TIN OVER .000050 MIN NICKEL.  
 POST - BRASS, .000100 MIN TIN OVER .000050 MIN NICKEL.
- ④ PERIPHERAL SEAL: ELASTOMER, GRAY.
- ⑤ KEYING PLUG: NYLON, NATURAL.
- ⑥ .009 MAXIMUM CONTACT LEAD-IN SEAM GAP PERMISSIBLE ON MATING FACE END.

STATUS	L	KEYING PLUG	PERIPHERAL SEAL	FINISH	QTY	CONTACTS	SELECT LOAD IN POSITIONS	PART NUMBER
				③	13	1-5,7-14		1-213825-8
				③	14	ALL		1-213825-7
				③	11	1,3,4,6,8-14		1-213825-6
				③	13	1-8,10-14		1-213825-5
				③	13	1-5,7-14		1-213825-4
PRELIMINARY				②	12	1,2,4,5,7-14		1-213825-3
				②	13	1-8,10-14		1-213825-2
				②	13	1-5,7-14		1-213825-1
				②	13	1-5,7-14		1-213825-0
				②	11	1,3,4,6,8-14		213825-9
				②	13	1-8,10-14		213825-5
				②	13	1-5,7-14		213825-4
				②	13	1-5,7-14		213825-3
				②	11	1,3,4,6,8-14		213825-2
				②	14	ALL		213825-1



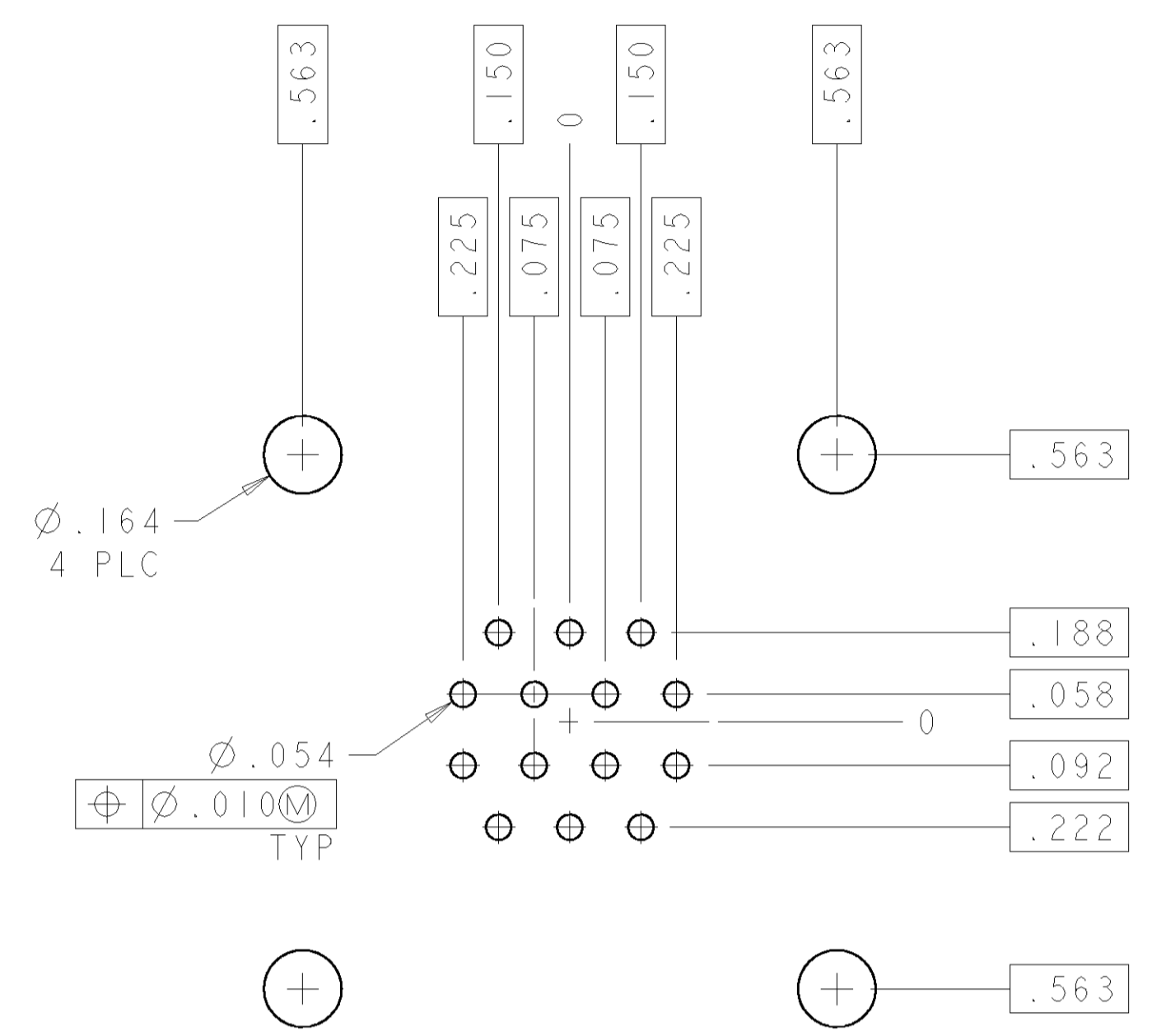
AMP Tyco Electronics  
 Harrisburg, PA 17105-3608

RECEPTACLE ASSEMBLY, POSTED, SERIES 1, REVERSE SEX, CPC

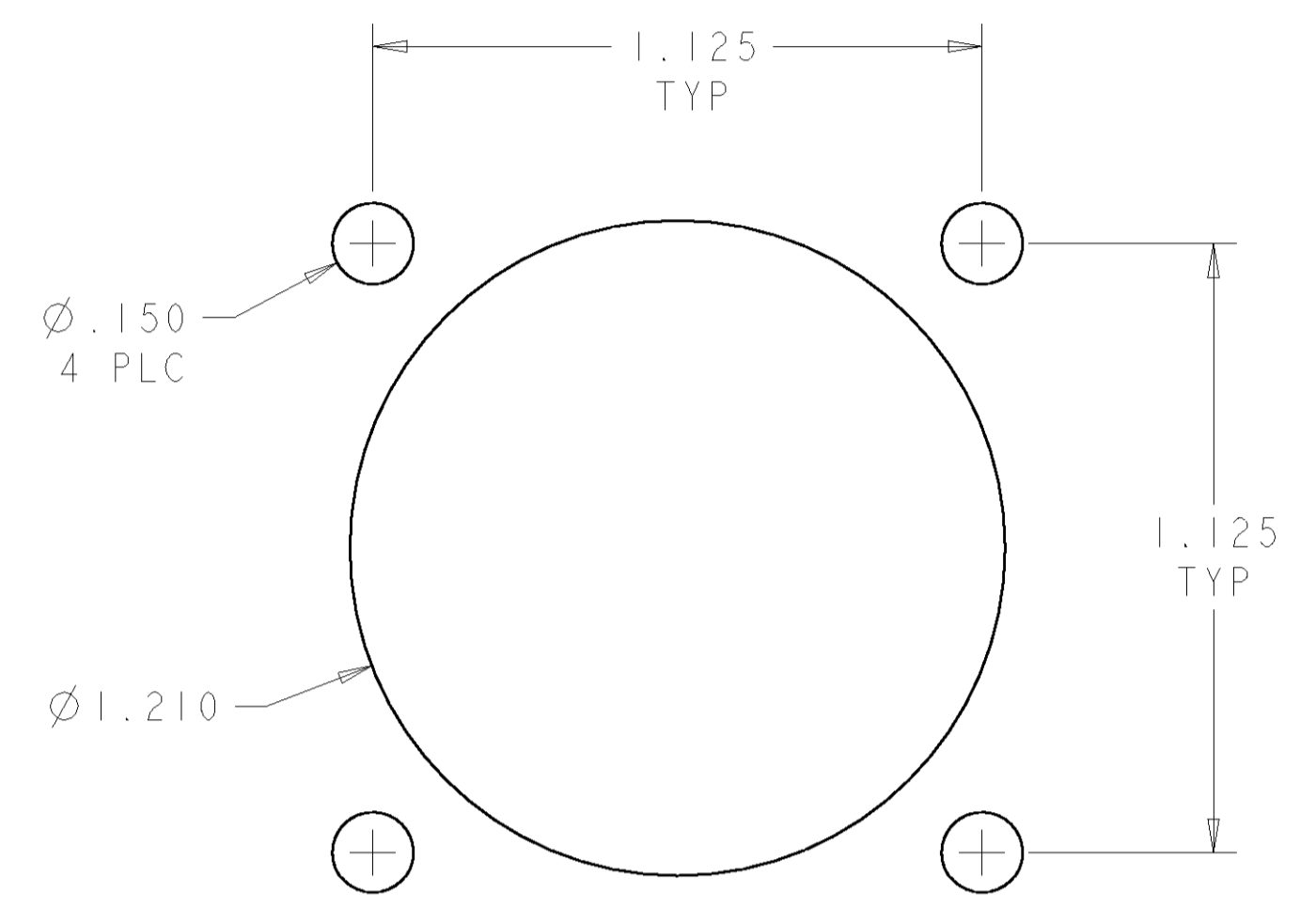
00779 C=213825

SCALE 4:1 SHEET 1 OF 2 REV P

LOC	DIST	REVISIONS					
FT	0	P	LTR	DESCRIPTION	DATE	DWN	APVD
-	-	-	-	SEE SHEET 1	-	-	-



RECOMMENDED PC BOARD LAYOUT  
 SCALE 3:1



RECOMMENDED PANEL LAYOUT  
 .125 MAX PANEL THICKNESS  
 SCALE 3:1

DIMENSIONS:		TOLERANCES UNLESS OTHERWISE SPECIFIED:		DWN		SHEET	
INCHES		0 PLC $\pm 0$	1 PLC $\pm 0$	S. WELDON	23MAY2003	2 OF 2	
		2 PLC $\pm 0$	3 PLC $\pm 0, 0.10$	CHG	23MAY2003	REV P	
MATERIAL		4 PLC $\pm 0$	ANGLES $\pm 0$	S. HEADER	23MAY2003	SCALE 4:1	
FINISH				APVD		SHEET 2 OF 2	
				NAME	RECEPTACLE ASSEMBLY, POSTED, SERIES 1, REVERSE SEX, CPC		
				PRODUCT SPEC	-		
				APPLICATION SPEC	-		
				WEIGHT	-		
				CUSTOMER DRAWING	-		
				SIZE	A 00779 C=213825		
				RESTRICTED TO	-		