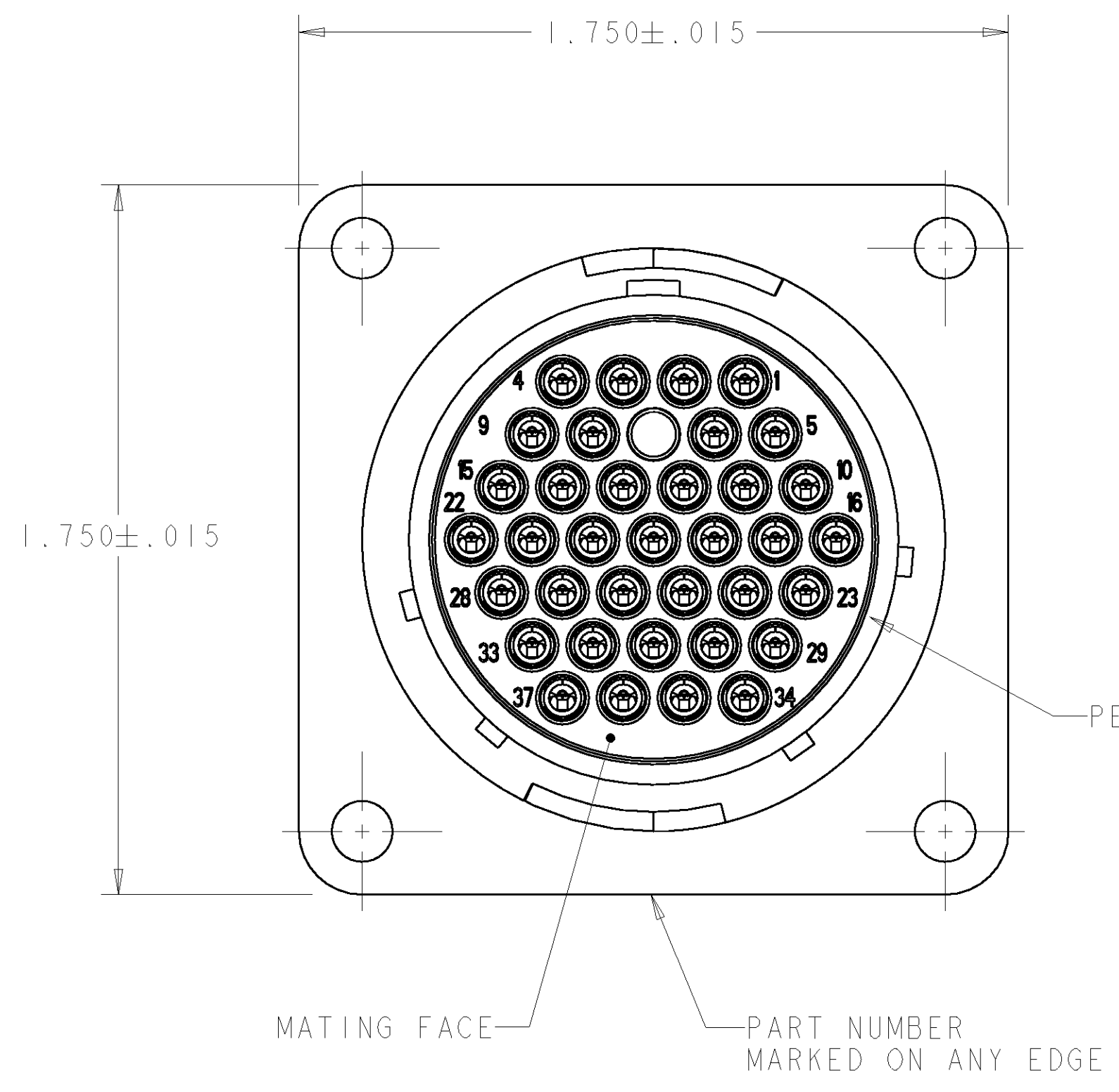
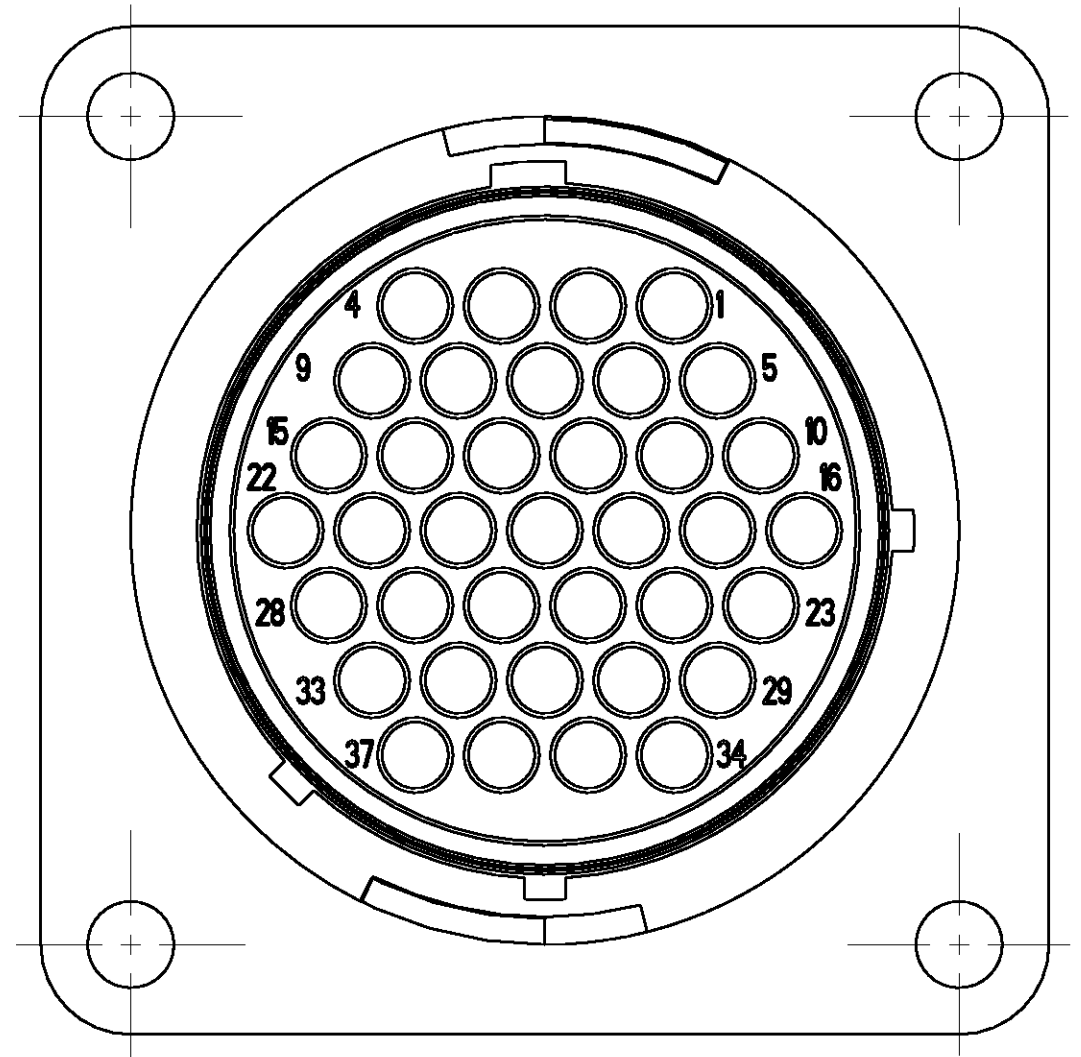
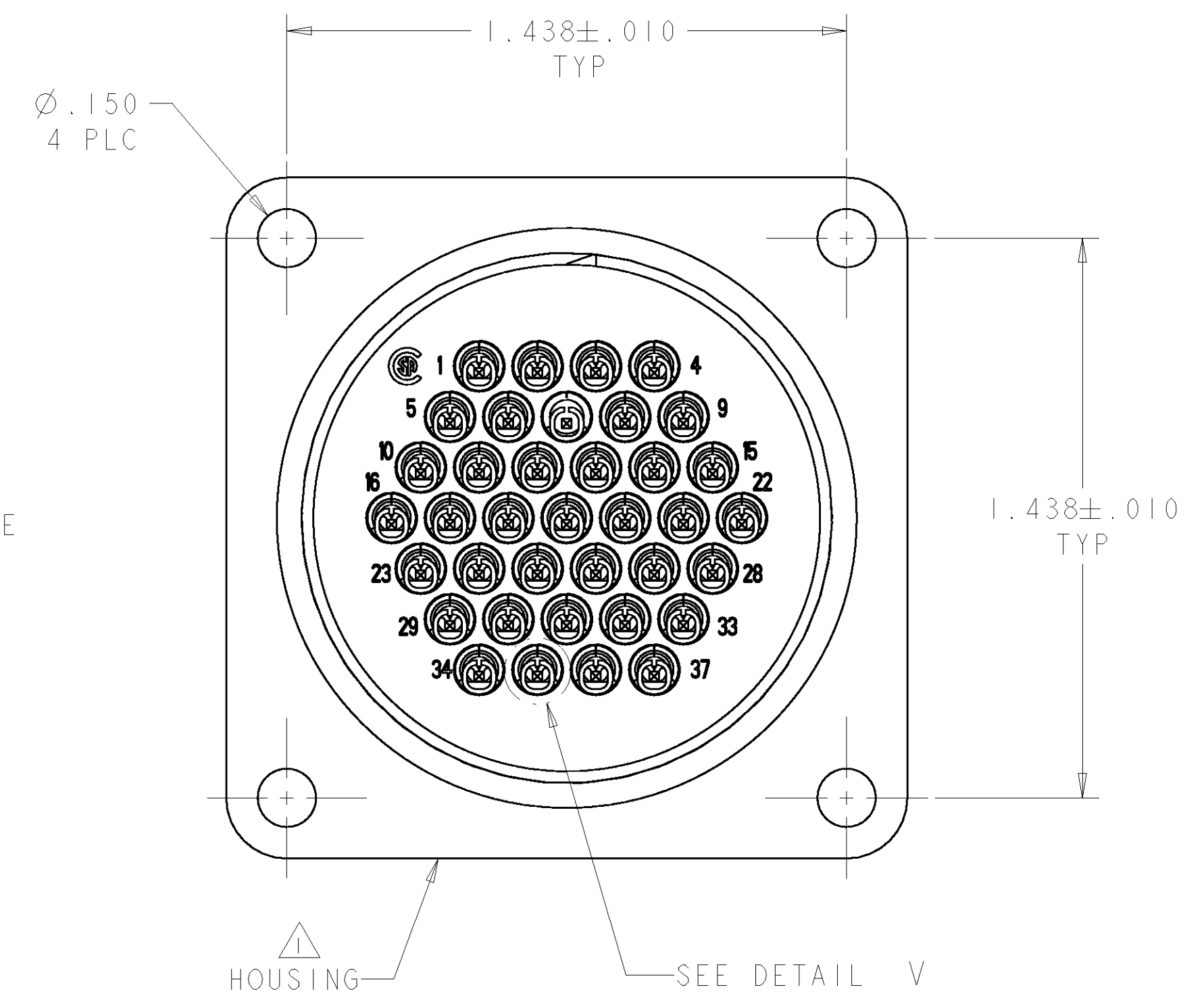
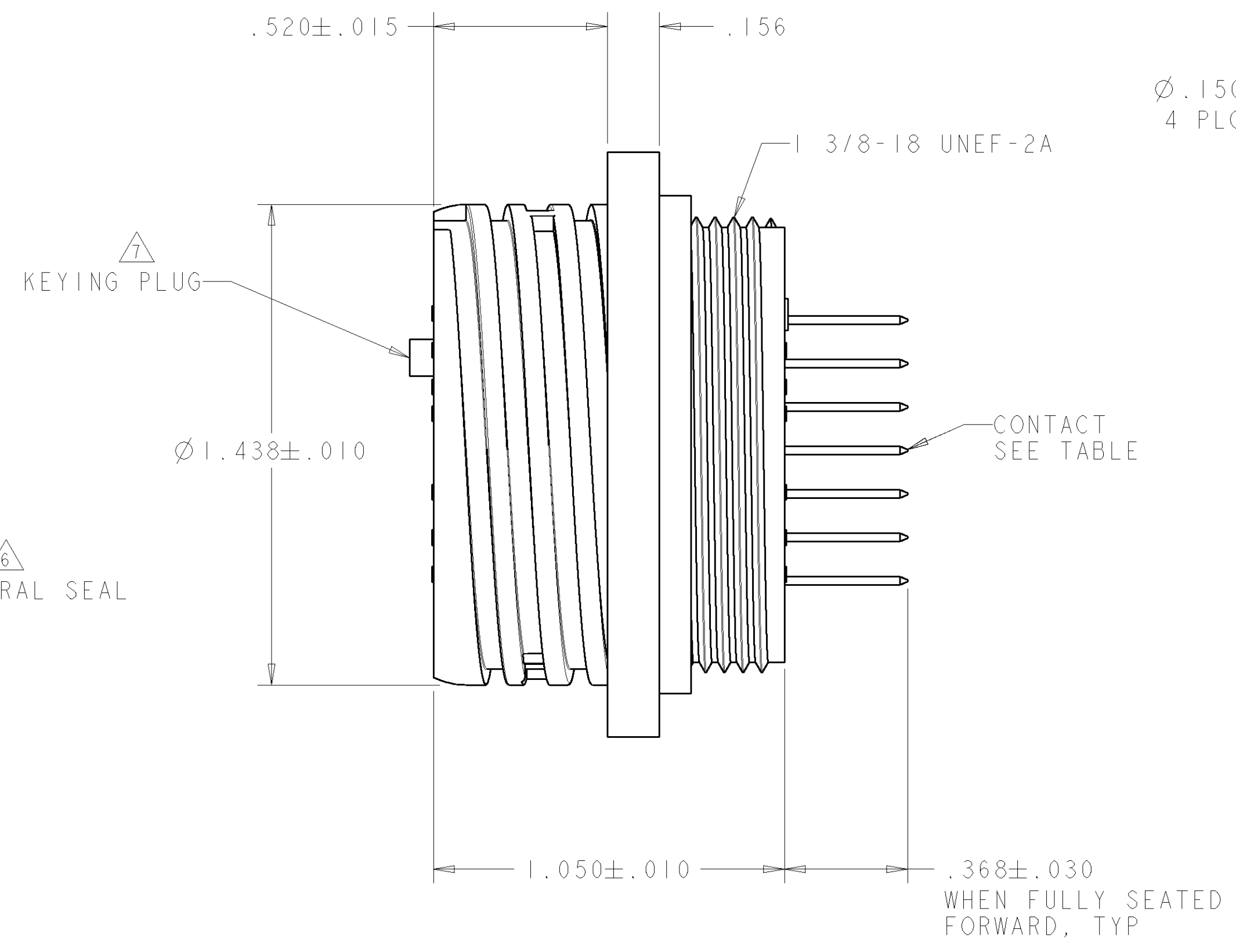


LOC	DIST	REVISIONS					
FT	0	P	LTR	DESCRIPTION	DATE	DWN	APVD
		S		REVISED EC 063B-0890-03	24NOV2003	SW	SH
		T		REVISED EC 063B-0081-05	21FEB2005	SW	HW
		U		REVISED EC 063B-0100-05	05MAY2005	SW	SH
		V		ADDED 1-8, 1-9 ECO-06-002610	15FEB2006	SW	SH



"A" STYLE KEYING



"B" STYLE KEYING

- △ HOUSING: THERMOPLASTIC, COLOR: BLACK.
- △ CONTACT:  
 BODY - .000100 MIN TIN-LEAD OVER .000050 MIN NICKEL.  
 POST - .000100 MIN TIN-LEAD OVER .000050 MIN NICKEL.
- △ CONTACT:  
 BODY - .000030 MIN GOLD FOR A LENGTH OF .200 MIN FROM MATING END, .000005 MIN GOLD ON REMAINDER ALL OVER .000030 MIN NICKEL.  
 POST - .000100 MIN TIN-LEAD OVER .000050 MIN NICKEL.
- △ CONTACT:  
 BODY - .000100 MIN TIN-LEAD OVER .000050 MIN NICKEL.  
 POST - .000030 MIN GOLD OVER .000050 MIN NICKEL.
- △ CONTACT:  
 BODY - .000100 MIN TIN OVER .000050 MIN NICKEL.  
 POST - .000100 MIN TIN OVER .000050 MIN NICKEL.
- △ PERIPHERAL SEAL: ELASTOMER, COLOR: GRAY.
- △ KEYING PLUG: NYLON, COLOR: NATURAL.
- △ .009 MAXIMUM CONTACT LEAD-IN SEAM GAP PERMISSIBLE ON MATING FACE END.

PRELIMINARY  
 PRELIMINARY  
 PRELIMINARY

YES	B	POSN 7	△5	1-6,8-37	1-213828-9
YES	A	-	△5	1-22,29-37	1-213828-8
YES	A	-	△5	ALL	1-213828-6
YES	B	POSN 7	△5	1-6,8-37	1-213828-5
YES	A	-	△5	1-22,29-37	1-213828-4
YES	A	POSN 15	△5	1-14,16-37	1-213828-3
YES	B	POSN 7	△2	2-6,8-37	1-213828-2
YES	B	POSN 7	△2	1-6,8-37	1-213828-1
YES	A	-	△2	1-22,29-37	1-213828-0
YES	A	-	△4	ALL	213828-9
YES	B	POSN 7	△2	2-6,8-37	213828-8
NO	A	-	△3	1-22,29-37	213828-7
NO	B	POSN 7	△3	1-6,8-37	213828-6
NO	A	POSN 15	△3	1-14,16-37	213828-5
YES	B	POSN 7	△2	1-6,8-37	213828-4
YES	A	POSN 15	△2	1-14,16-37	213828-3
YES	A	-	△2	1-22,29-37	213828-2
YES	A	-	△2	ALL	213828-1
PERIPHERAL SEAL	KEYING STYLE	KEYING PLUG	CONTACT FINISH	SELECT LOADED IN POSITIONS	PART NUMBER

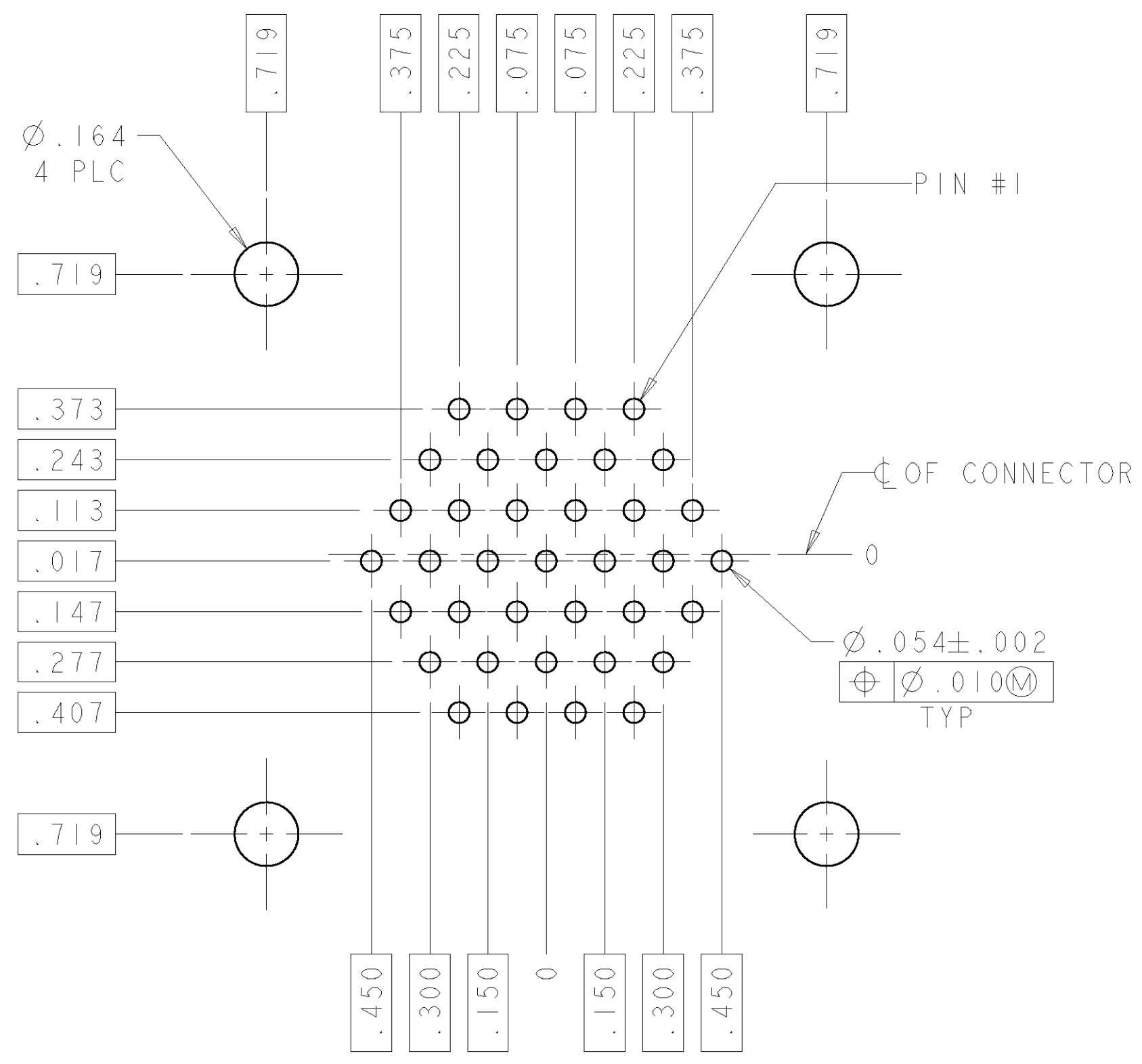
DIMENSIONS: INCHES		TOLERANCES UNLESS OTHERWISE SPECIFIED:		DWN S. WELDON 22MAY2003		ENR S. HEADER 22MAY2003		APVD S. HEADER 22MAY2003		NAME		Tyco Electronics Harrisburg, PA 17105-3608	
0 PLC ±.0		1 PLC ±0.0		2 PLC ±0.00		3 PLC ±0.010		4 PLC ±0.0000		PRODUCT SPEC		AMP	
MATERIAL		FINISH		WEIGHT		SCALE		SHEET		OF		REV	
						3:1		1		2		V	

RECEPTACLE ASSEMBLY, POSTED, REVERSE SEX, SERIES 1, 23-37, CPC

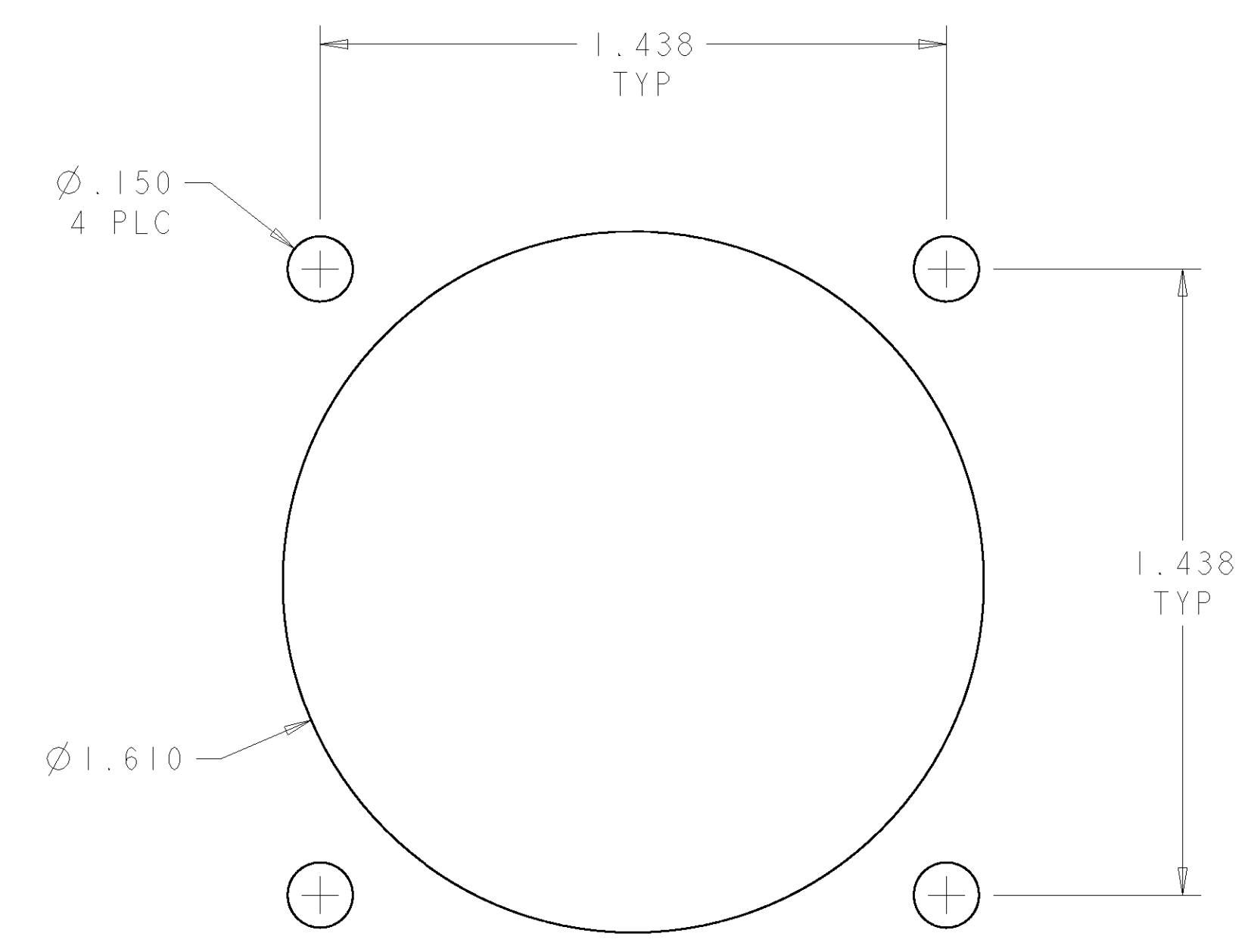
SIZE: 00779 C=213828

CUSTOMER DRAWING

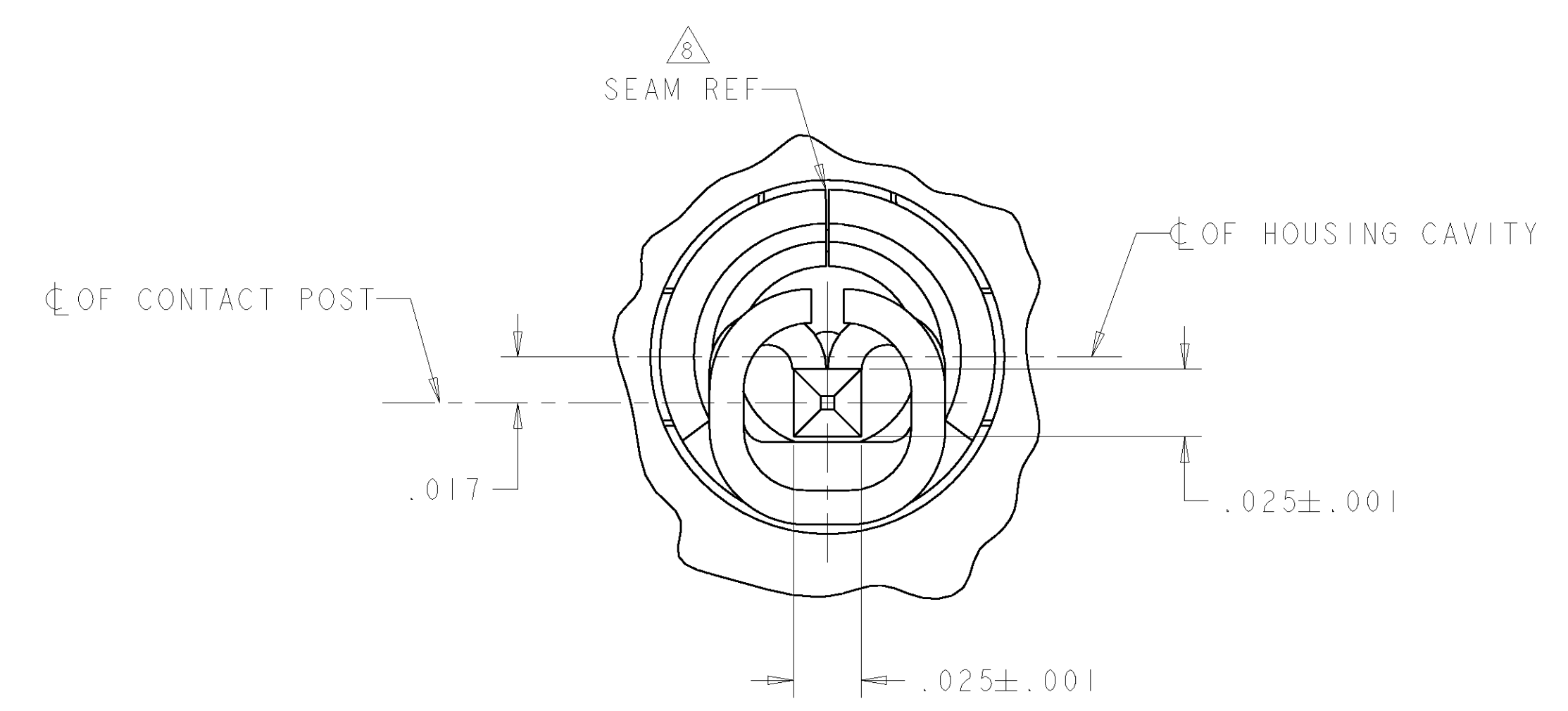
LOC		DIST		REVISIONS			
FT	0	P	LTR	DESCRIPTION	DATE	DNW	APVD
-	-	-	-	SEE SHEET 1	-	-	-



RECOMMENDED PC BOARD LAYOUT



RECOMMENDED PANEL CUTOUT  
 .125 MAX PANEL THICKNESS



DETAIL V  
 SCALE 20:1

DIMENSIONS:		TOLERANCES UNLESS OTHERWISE SPECIFIED:		DWN		AMP	
INCHES		0 PLC	$\pm .0$	S. WELDON	22MAY2003	Tyco Electronics Harrisburg, PA 17105-3608	
		1 PLC	$\pm 0.0$	CHK	22MAY2003	NAME	
		2 PLC	$\pm 0.00$	S. HEADER	22MAY2003	RECEPTACLE ASSEMBLY, POSTED, REVERSE SEX, SERIES 1, 23-37, CPC	
		3 PLC	$\pm 0.010$	APVD		PRODUCT SPEC	
		4 PLC	$\pm 0.0000$			108-10024	
		ANGLES	$\pm .$			APPLICATION SPEC	
MATERIAL						114-10004	SIZE CAGE CODE DRAWING NO
						WEIGHT	A 00779 C=213828
						CUSTOMER DRAWING	RESTRICTED TO
							SCALE 3:1 SHEET 2 OF 2 REV V