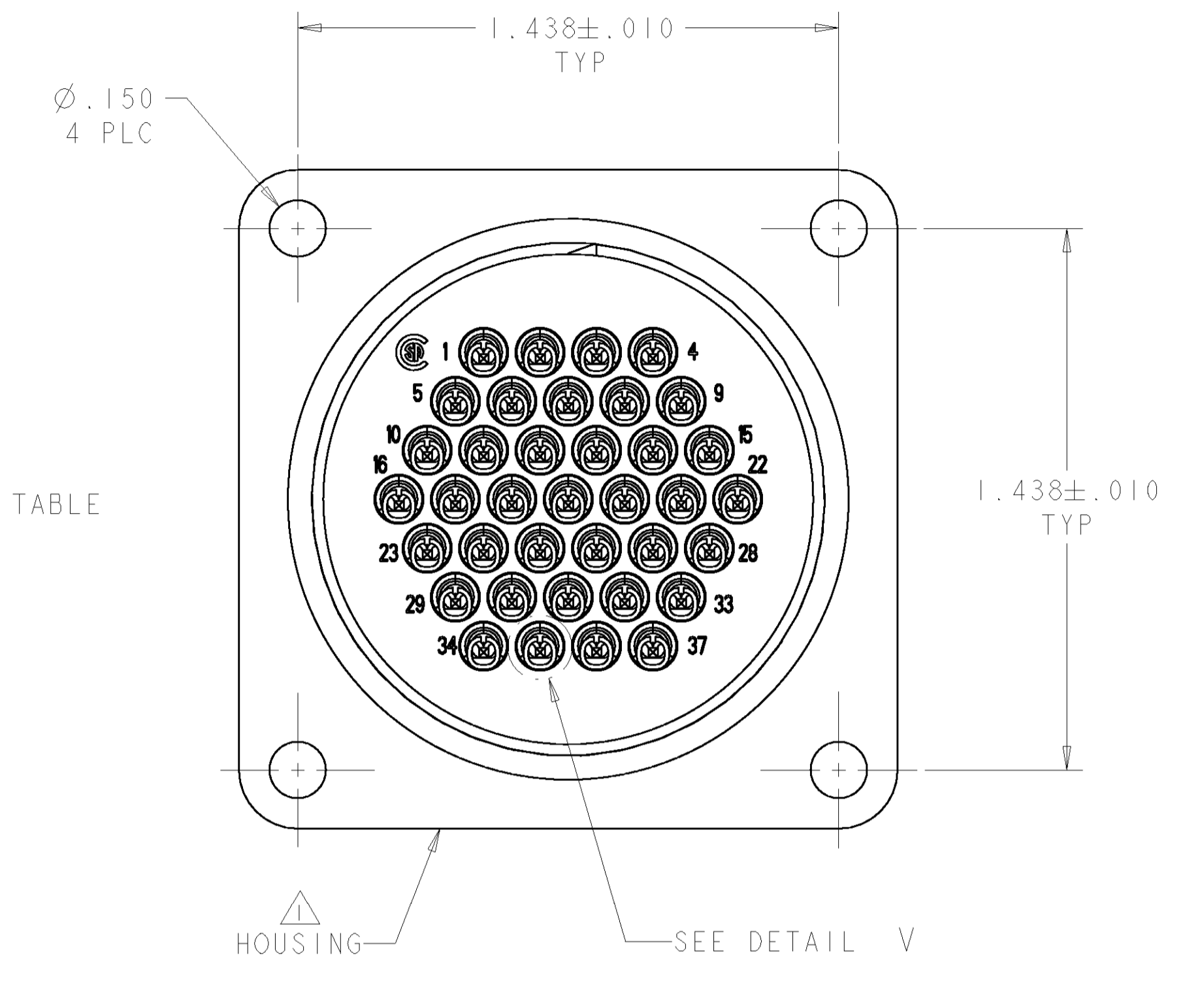
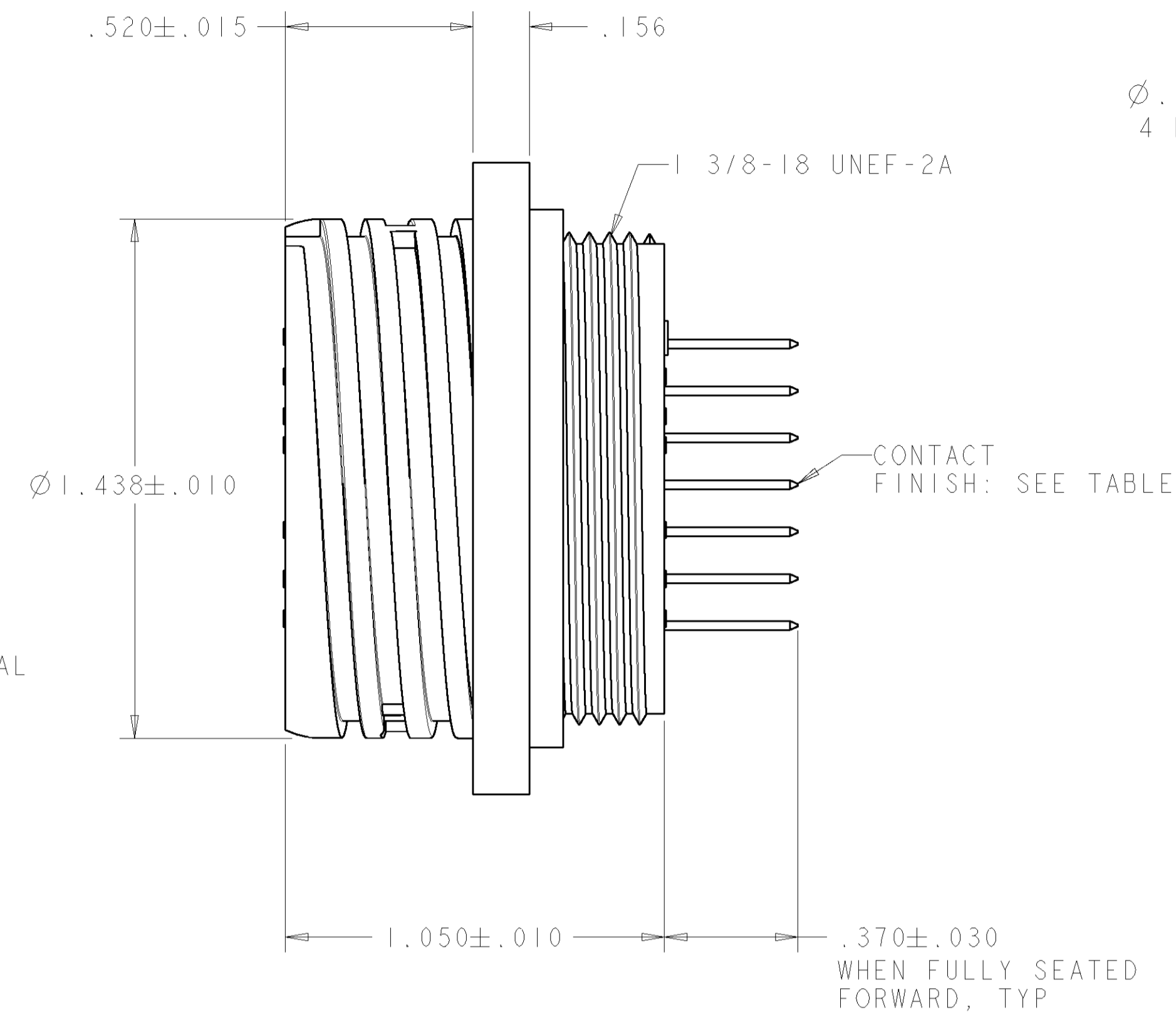
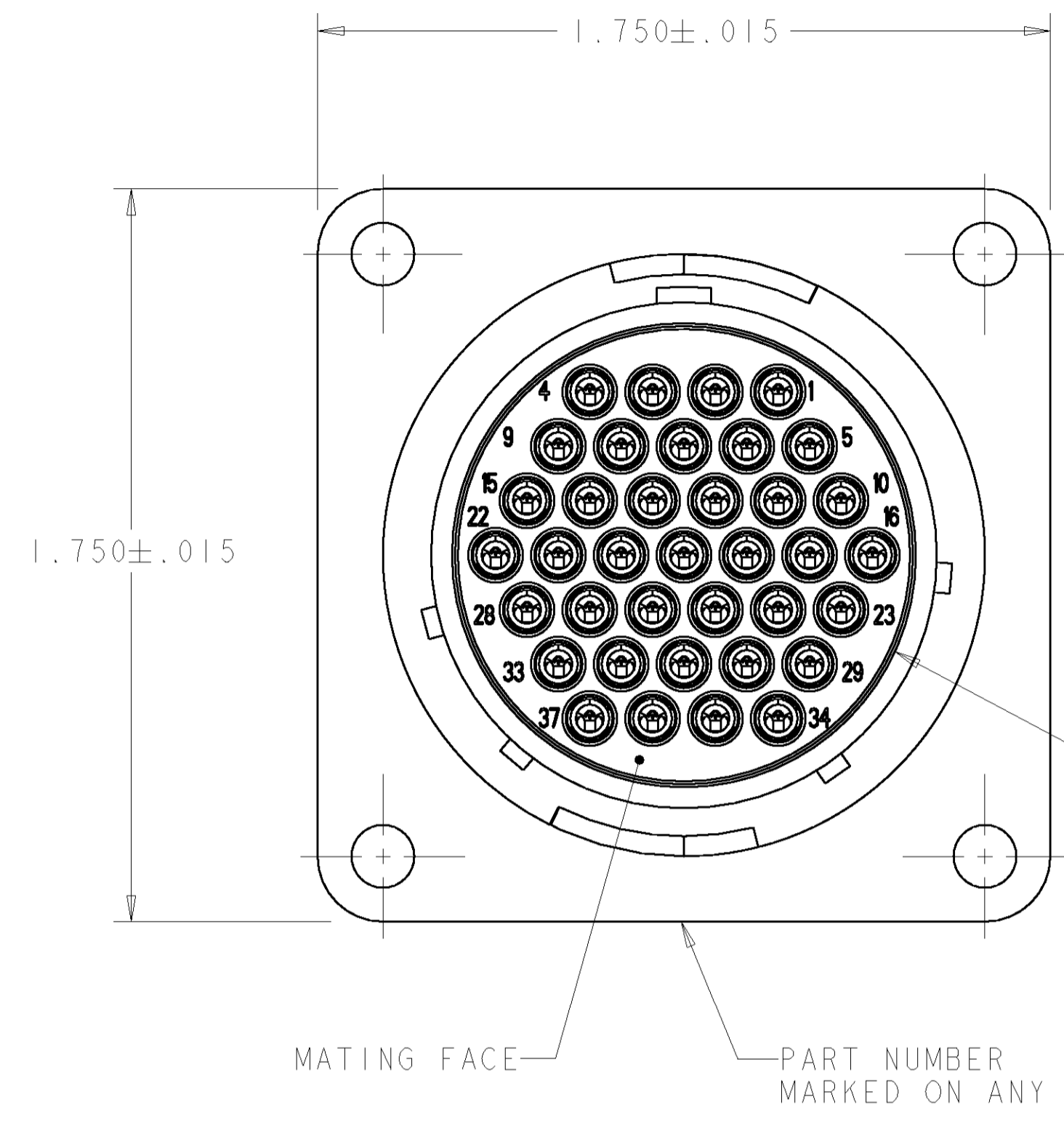
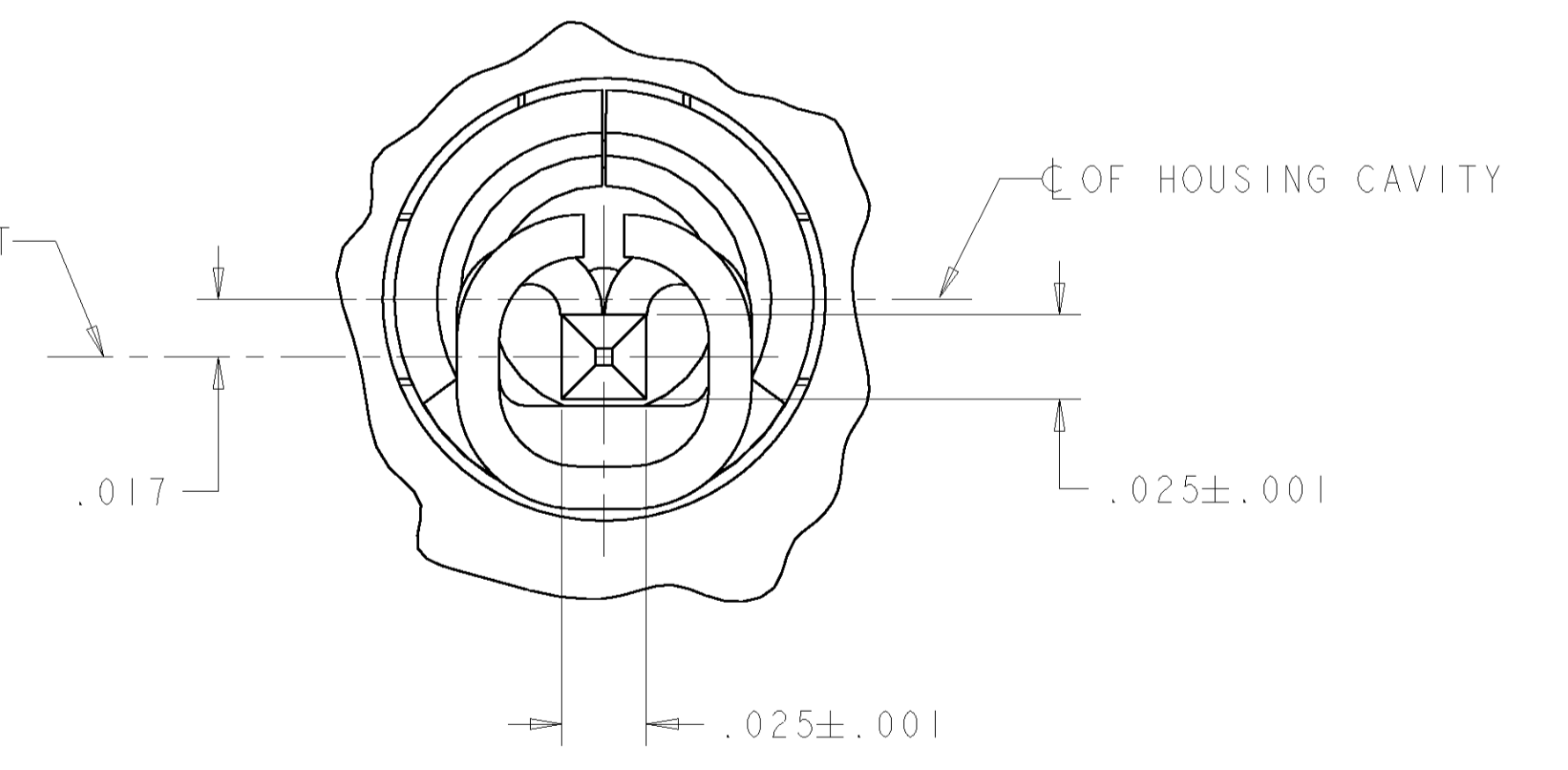
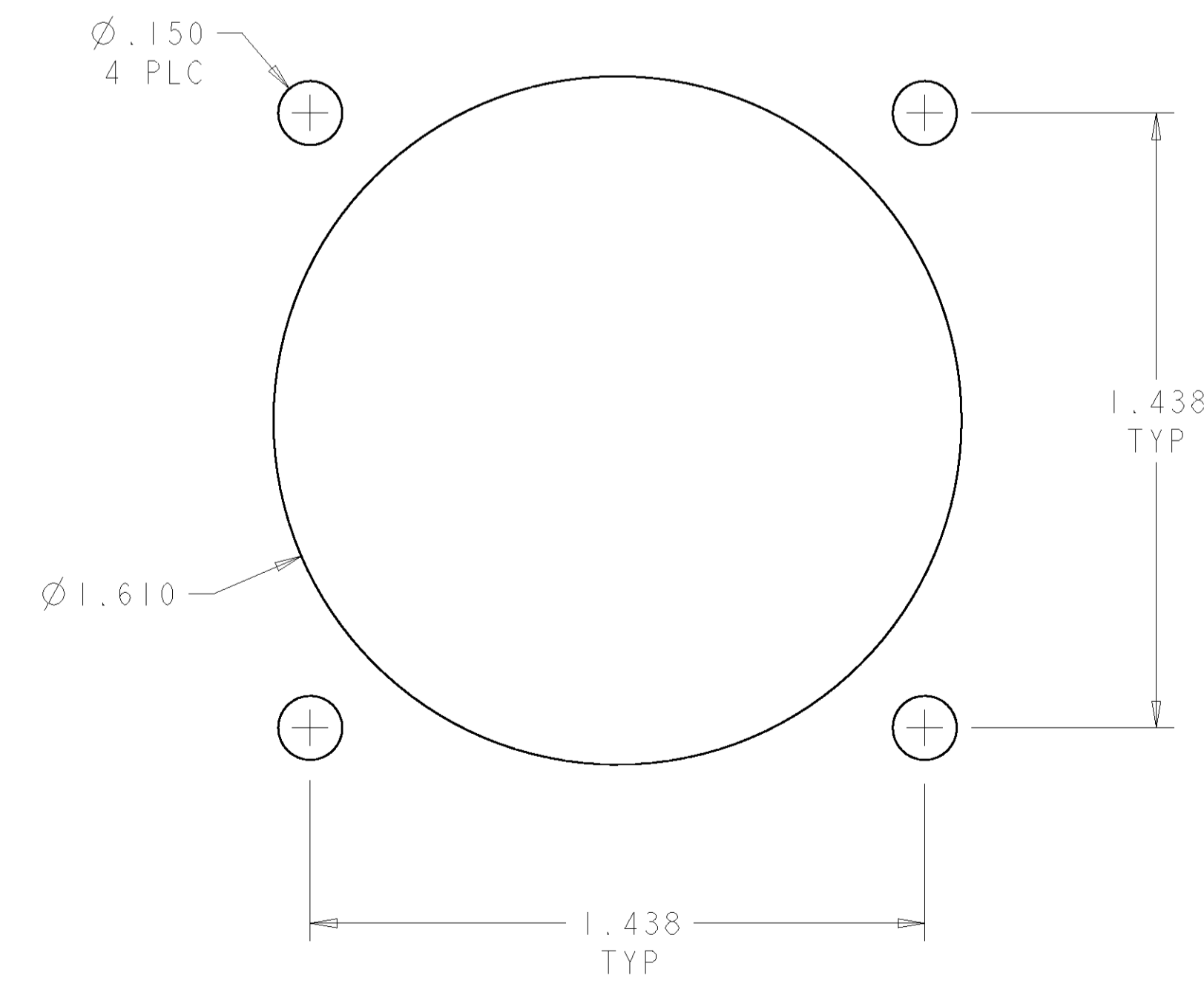
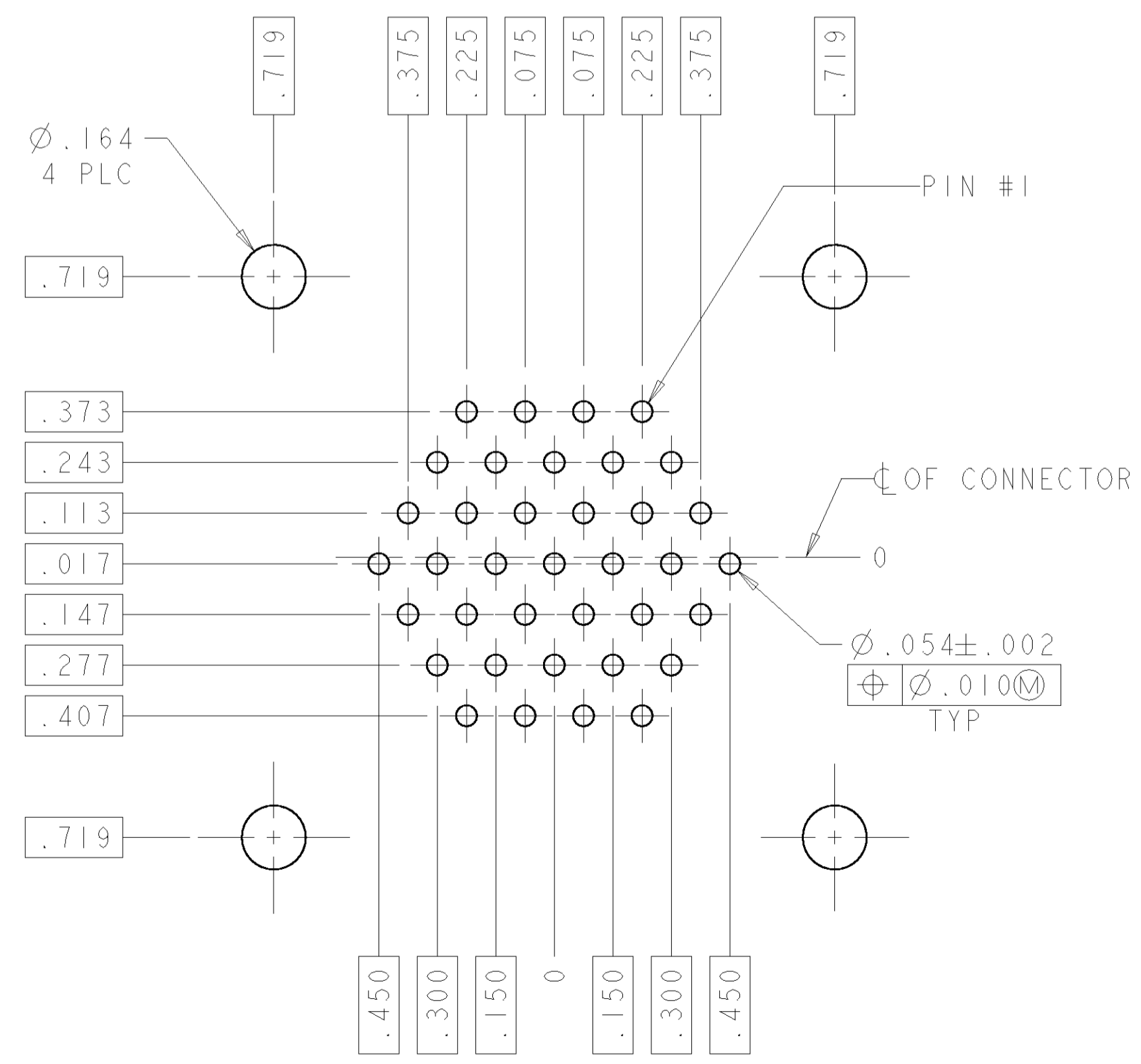


LOC		DIST		REVISIONS			
FT	0	P	LTR	DESCRIPTION	DATE	DWN	APVD
E				REVISED EC 063B-0890-03	24NOV2003	SW	SH
F				REVISED EC 063B-0100-05	05MAY2005	SW	SH
FI				REVISED ECO-06-004834	07MAR2006	SW	SH



- ① HOUSING: THERMOPLASTIC, COLOR: BLACK.
- ② CONTACT:
 BODY - .000100 MIN TIN-LEAD OVER .000050 MIN NICKEL.
 POST - .000100 MIN TIN-LEAD OVER .000050 MIN NICKEL.
- ③ CONTACT:
 BODY - .000100 MIN TIN OVER .000050 MIN NICKEL.
 POST - .000100 MIN TIN OVER .000050 MIN NICKEL.
- ④ PERIPHERAL SEAL: ELASTOMER, COLOR: GRAY.



DETAIL V
SCALE 20:1

RECOMMENDED PC BOARD LAYOUT

RECOMMENDED PANEL CUTOUT
.125 MAX PANEL THICKNESS

YES	1-10, 13-29, 29-37	③	1-796125-3																																																																																																																																																																																																																																																																																																																																																																																																																																																																																																																																																																																																																																																																																																																																																																																																																																																																																																																									
YES	1-10, 13-29, 29-37	③	1-796125-1																																																																																																																																																																																																																																																																																																																																																																																																																																																																																																																																																																																																																																																																																																																																																																																																																																																																																																																									
YES	1-10, 13-29, 29-37	②	796125-3																																																																																																																																																																																																																																																																																																																																																																																																																																																																																																																																																																																																																																																																																																																																																																																																																																																																																																																									
YES	1-10, 13-29, 29-37	②	796125-1																																																																																																																																																																																																																																																																																																																																																																																																																																																																																																																																																																																																																																																																																																																																																																																																																																																																																																																									
PERIPHERAL SEAL	SELECT LOAD IN POSITIONS	CONTACT FINISH	PART NUMBER																																																																																																																																																																																																																																																																																																																																																																																																																																																																																																																																																																																																																																																																																																																																																																																																																																																																																																																									
<table border="1"> <thead> <tr> <th>DIMENSIONS:</th> <th>TOLERANCES UNLESS OTHERWISE SPECIFIED:</th> <th>DWN</th> <th>DATE</th> <th>NAME</th> </tr> </thead> <tbody> <tr> <td>INCHES:</td> <td>0 PLC ± .0005</td> <td>S. WELDON</td> <td>22MAY2003</td> <td>S. HEADER</td> </tr> <tr> <td></td> <td>1 PLC ± .0010</td> <td>S. WELDON</td> <td>22MAY2003</td> <td>S. HEADER</td> </tr> <tr> <td></td> <td>2 PLC ± .0015</td> <td>S. WELDON</td> <td>22MAY2003</td> <td>S. HEADER</td> </tr> <tr> <td></td> <td>3 PLC ± .0020</td> <td>S. WELDON</td> <td>22MAY2003</td> <td>S. HEADER</td> </tr> <tr> <td></td> <td>4 PLC ± .0025</td> <td>S. WELDON</td> <td>22MAY2003</td> <td>S. HEADER</td> </tr> <tr> <td></td> <td>5 PLC ± .0030</td> <td>S. WELDON</td> <td>22MAY2003</td> <td>S. HEADER</td> </tr> <tr> <td></td> <td>6 PLC ± .0035</td> <td>S. WELDON</td> <td>22MAY2003</td> <td>S. HEADER</td> </tr> <tr> <td></td> <td>7 PLC ± .0040</td> <td>S. WELDON</td> <td>22MAY2003</td> <td>S. HEADER</td> </tr> <tr> <td></td> <td>8 PLC ± .0045</td> <td>S. WELDON</td> <td>22MAY2003</td> <td>S. HEADER</td> </tr> <tr> <td></td> <td>9 PLC ± .0050</td> <td>S. WELDON</td> <td>22MAY2003</td> <td>S. HEADER</td> </tr> <tr> <td></td> <td>10 PLC ± .0055</td> <td>S. WELDON</td> <td>22MAY2003</td> <td>S. HEADER</td> </tr> <tr> <td></td> <td>11 PLC ± .0060</td> <td>S. WELDON</td> <td>22MAY2003</td> <td>S. HEADER</td> </tr> <tr> <td></td> <td>12 PLC ± .0065</td> <td>S. WELDON</td> <td>22MAY2003</td> <td>S. HEADER</td> </tr> <tr> <td></td> <td>13 PLC ± .0070</td> <td>S. WELDON</td> <td>22MAY2003</td> <td>S. HEADER</td> </tr> <tr> <td></td> <td>14 PLC ± .0075</td> <td>S. WELDON</td> <td>22MAY2003</td> <td>S. HEADER</td> </tr> <tr> <td></td> <td>15 PLC ± .0080</td> <td>S. WELDON</td> <td>22MAY2003</td> <td>S. HEADER</td> </tr> <tr> <td></td> <td>16 PLC ± .0085</td> <td>S. WELDON</td> <td>22MAY2003</td> <td>S. HEADER</td> </tr> <tr> <td></td> <td>17 PLC ± .0090</td> <td>S. WELDON</td> <td>22MAY2003</td> <td>S. HEADER</td> </tr> <tr> <td></td> <td>18 PLC ± .0095</td> <td>S. WELDON</td> <td>22MAY2003</td> <td>S. HEADER</td> </tr> <tr> <td></td> <td>19 PLC ± .0100</td> <td>S. WELDON</td> <td>22MAY2003</td> <td>S. HEADER</td> </tr> <tr> <td></td> <td>20 PLC ± .0105</td> <td>S. WELDON</td> <td>22MAY2003</td> <td>S. HEADER</td> </tr> <tr> <td></td> <td>21 PLC ± .0110</td> <td>S. WELDON</td> <td>22MAY2003</td> <td>S. HEADER</td> </tr> <tr> <td></td> <td>22 PLC ± .0115</td> <td>S. WELDON</td> <td>22MAY2003</td> <td>S. HEADER</td> </tr> <tr> <td></td> <td>23 PLC ± .0120</td> <td>S. WELDON</td> <td>22MAY2003</td> <td>S. HEADER</td> </tr> <tr> <td></td> <td>24 PLC ± .0125</td> <td>S. WELDON</td> <td>22MAY2003</td> <td>S. HEADER</td> </tr> <tr> <td></td> <td>25 PLC ± .0130</td> <td>S. WELDON</td> <td>22MAY2003</td> <td>S. HEADER</td> </tr> <tr> <td></td> <td>26 PLC ± .0135</td> <td>S. WELDON</td> <td>22MAY2003</td> <td>S. HEADER</td> </tr> <tr> <td></td> <td>27 PLC ± .0140</td> <td>S. WELDON</td> <td>22MAY2003</td> <td>S. HEADER</td> </tr> <tr> <td></td> <td>28 PLC ± .0145</td> <td>S. WELDON</td> <td>22MAY2003</td> <td>S. HEADER</td> </tr> <tr> <td></td> <td>29 PLC ± .0150</td> <td>S. WELDON</td> <td>22MAY2003</td> <td>S. HEADER</td> </tr> <tr> <td></td> <td>30 PLC ± .0155</td> <td>S. WELDON</td> <td>22MAY2003</td> <td>S. HEADER</td> </tr> <tr> <td></td> <td>31 PLC ± .0160</td> <td>S. WELDON</td> <td>22MAY2003</td> <td>S. HEADER</td> </tr> <tr> <td></td> <td>32 PLC ± .0165</td> <td>S. WELDON</td> <td>22MAY2003</td> <td>S. HEADER</td> </tr> <tr> <td></td> <td>33 PLC ± .0170</td> <td>S. WELDON</td> <td>22MAY2003</td> <td>S. HEADER</td> </tr> <tr> <td></td> <td>34 PLC ± .0175</td> <td>S. WELDON</td> <td>22MAY2003</td> <td>S. HEADER</td> </tr> <tr> <td></td> <td>35 PLC ± .0180</td> <td>S. WELDON</td> <td>22MAY2003</td> <td>S. HEADER</td> </tr> <tr> <td></td> <td>36 PLC ± .0185</td> <td>S. WELDON</td> <td>22MAY2003</td> <td>S. HEADER</td> </tr> <tr> <td></td> <td>37 PLC ± .0190</td> <td>S. WELDON</td> <td>22MAY2003</td> <td>S. HEADER</td> </tr> <tr> <td></td> <td>38 PLC ± .0195</td> <td>S. WELDON</td> <td>22MAY2003</td> <td>S. HEADER</td> </tr> <tr> <td></td> <td>39 PLC ± .0200</td> <td>S. WELDON</td> <td>22MAY2003</td> <td>S. HEADER</td> </tr> <tr> <td></td> <td>40 PLC ± .0205</td> <td>S. WELDON</td> <td>22MAY2003</td> <td>S. HEADER</td> </tr> <tr> <td></td> <td>41 PLC ± .0210</td> <td>S. WELDON</td> <td>22MAY2003</td> <td>S. HEADER</td> </tr> <tr> <td></td> <td>42 PLC ± .0215</td> <td>S. WELDON</td> <td>22MAY2003</td> <td>S. HEADER</td> </tr> <tr> <td></td> <td>43 PLC ± .0220</td> <td>S. WELDON</td> <td>22MAY2003</td> <td>S. HEADER</td> </tr> <tr> <td></td> <td>44 PLC ± .0225</td> <td>S. WELDON</td> <td>22MAY2003</td> <td>S. HEADER</td> </tr> <tr> <td></td> <td>45 PLC ± .0230</td> <td>S. WELDON</td> <td>22MAY2003</td> <td>S. HEADER</td> </tr> <tr> <td></td> <td>46 PLC ± .0235</td> <td>S. WELDON</td> <td>22MAY2003</td> <td>S. HEADER</td> </tr> <tr> <td></td> <td>47 PLC ± .0240</td> <td>S. WELDON</td> <td>22MAY2003</td> <td>S. HEADER</td> </tr> <tr> <td></td> <td>48 PLC ± .0245</td> <td>S. WELDON</td> <td>22MAY2003</td> <td>S. HEADER</td> </tr> <tr> <td></td> <td>49 PLC ± .0250</td> <td>S. WELDON</td> <td>22MAY2003</td> <td>S. HEADER</td> </tr> <tr> <td></td> <td>50 PLC ± .0255</td> <td>S. WELDON</td> <td>22MAY2003</td> <td>S. HEADER</td> </tr> <tr> <td></td> <td>51 PLC ± .0260</td> <td>S. WELDON</td> <td>22MAY2003</td> <td>S. HEADER</td> </tr> <tr> <td></td> <td>52 PLC ± .0265</td> <td>S. WELDON</td> <td>22MAY2003</td> <td>S. HEADER</td> </tr> <tr> <td></td> <td>53 PLC ± .0270</td> <td>S. WELDON</td> <td>22MAY2003</td> <td>S. HEADER</td> </tr> <tr> <td></td> <td>54 PLC ± .0275</td> <td>S. WELDON</td> <td>22MAY2003</td> <td>S. HEADER</td> </tr> <tr> <td></td> <td>55 PLC ± .0280</td> <td>S. WELDON</td> <td>22MAY2003</td> <td>S. HEADER</td> </tr> <tr> <td></td> <td>56 PLC ± .0285</td> <td>S. WELDON</td> <td>22MAY2003</td> <td>S. HEADER</td> </tr> <tr> <td></td> <td>57 PLC ± .0290</td> <td>S. WELDON</td> <td>22MAY2003</td> <td>S. HEADER</td> </tr> <tr> <td></td> <td>58 PLC ± .0295</td> <td>S. WELDON</td> <td>22MAY2003</td> <td>S. HEADER</td> </tr> <tr> <td></td> <td>59 PLC ± .0300</td> <td>S. WELDON</td> <td>22MAY2003</td> <td>S. HEADER</td> </tr> <tr> <td></td> <td>60 PLC ± .0305</td> <td>S. WELDON</td> <td>22MAY2003</td> <td>S. HEADER</td> </tr> <tr> <td></td> <td>61 PLC ± .0310</td> <td>S. WELDON</td> <td>22MAY2003</td> <td>S. HEADER</td> </tr> <tr> <td></td> <td>62 PLC ± .0315</td> <td>S. WELDON</td> <td>22MAY2003</td> <td>S. HEADER</td> </tr> <tr> <td></td> <td>63 PLC ± .0320</td> <td>S. WELDON</td> <td>22MAY2003</td> <td>S. HEADER</td> </tr> <tr> <td></td> <td>64 PLC ± .0325</td> <td>S. WELDON</td> <td>22MAY2003</td> <td>S. HEADER</td> </tr> <tr> <td></td> <td>65 PLC ± .0330</td> <td>S. WELDON</td> <td>22MAY2003</td> <td>S. HEADER</td> </tr> <tr> <td></td> <td>66 PLC ± .0335</td> <td>S. WELDON</td> <td>22MAY2003</td> <td>S. HEADER</td> </tr> <tr> <td></td> <td>67 PLC ± .0340</td> <td>S. WELDON</td> <td>22MAY2003</td> <td>S. HEADER</td> </tr> <tr> <td></td> <td>68 PLC ± .0345</td> <td>S. WELDON</td> <td>22MAY2003</td> <td>S. HEADER</td> </tr> <tr> <td></td> <td>69 PLC ± .0350</td> <td>S. WELDON</td> <td>22MAY2003</td> <td>S. HEADER</td> </tr> <tr> <td></td> <td>70 PLC ± .0355</td> <td>S. WELDON</td> <td>22MAY2003</td> <td>S. HEADER</td> </tr> <tr> <td></td> <td>71 PLC ± .0360</td> <td>S. WELDON</td> <td>22MAY2003</td> <td>S. HEADER</td> </tr> <tr> <td></td> <td>72 PLC ± .0365</td> <td>S. WELDON</td> <td>22MAY2003</td> <td>S. HEADER</td> </tr> <tr> <td></td> <td>73 PLC ± .0370</td> <td>S. WELDON</td> <td>22MAY2003</td> <td>S. HEADER</td> </tr> <tr> <td></td> <td>74 PLC ± .0375</td> <td>S. WELDON</td> <td>22MAY2003</td> <td>S. HEADER</td> </tr> <tr> <td></td> <td>75 PLC ± .0380</td> <td>S. WELDON</td> <td>22MAY2003</td> <td>S. HEADER</td> </tr> <tr> <td></td> <td>76 PLC ± .0385</td> <td>S. WELDON</td> <td>22MAY2003</td> <td>S. HEADER</td> </tr> <tr> <td></td> <td>77 PLC ± .0390</td> <td>S. WELDON</td> <td>22MAY2003</td> <td>S. HEADER</td> </tr> <tr> <td></td> <td>78 PLC ± .0395</td> <td>S. WELDON</td> <td>22MAY2003</td> <td>S. HEADER</td> </tr> <tr> <td></td> <td>79 PLC ± .0400</td> <td>S. WELDON</td> <td>22MAY2003</td> <td>S. HEADER</td> </tr> <tr> <td></td> <td>80 PLC ± .0405</td> <td>S. WELDON</td> <td>22MAY2003</td> <td>S. HEADER</td> </tr> <tr> <td></td> <td>81 PLC ± .0410</td> <td>S. WELDON</td> <td>22MAY2003</td> <td>S. HEADER</td> </tr> <tr> <td></td> <td>82 PLC ± .0415</td> <td>S. WELDON</td> <td>22MAY2003</td> <td>S. HEADER</td> </tr> <tr> <td></td> <td>83 PLC ± .0420</td> <td>S. WELDON</td> <td>22MAY2003</td> <td>S. HEADER</td> </tr> <tr> <td></td> <td>84 PLC ± .0425</td> <td>S. WELDON</td> <td>22MAY2003</td> <td>S. HEADER</td> </tr> <tr> <td></td> <td>85 PLC ± .0430</td> <td>S. WELDON</td> <td>22MAY2003</td> <td>S. HEADER</td> </tr> <tr> <td></td> <td>86 PLC ± .0435</td> <td>S. WELDON</td> <td>22MAY2003</td> <td>S. HEADER</td> </tr> <tr> <td></td> <td>87 PLC ± .0440</td> <td>S. WELDON</td> <td>22MAY2003</td> <td>S. HEADER</td> </tr> <tr> <td></td> <td>88 PLC ± .0445</td> <td>S. WELDON</td> <td>22MAY2003</td> <td>S. HEADER</td> </tr> <tr> <td></td> <td>89 PLC ± .0450</td> <td>S. WELDON</td> <td>22MAY2003</td> <td>S. HEADER</td> </tr> <tr> <td></td> <td>90 PLC ± .0455</td> <td>S. WELDON</td> <td>22MAY2003</td> <td>S. HEADER</td> </tr> <tr> <td></td> <td>91 PLC ± .0460</td> <td>S. WELDON</td> <td>22MAY2003</td> <td>S. HEADER</td> </tr> <tr> <td></td> <td>92 PLC ± .0465</td> <td>S. WELDON</td> <td>22MAY2003</td> <td>S. HEADER</td> </tr> <tr> <td></td> <td>93 PLC ± .0470</td> <td>S. WELDON</td> <td>22MAY2003</td> <td>S. HEADER</td> </tr> <tr> <td></td> <td>94 PLC ± .0475</td> <td>S. WELDON</td> <td>22MAY2003</td> <td>S. HEADER</td> </tr> <tr> <td></td> <td>95 PLC ± .0480</td> <td>S. WELDON</td> <td>22MAY2003</td> <td>S. HEADER</td> </tr> <tr> <td></td> <td>96 PLC ± .0485</td> <td>S. WELDON</td> <td>22MAY2003</td> <td>S. HEADER</td> </tr> <tr> <td></td> <td>97 PLC ± .0490</td> <td>S. WELDON</td> <td>22MAY2003</td> <td>S. HEADER</td> </tr> <tr> <td></td> <td>98 PLC ± .0495</td> <td>S. WELDON</td> <td>22MAY2003</td> <td>S. HEADER</td> </tr> <tr> <td></td> <td>99 PLC ± .0500</td> <td>S. WELDON</td> <td>22MAY2003</td> <td>S. HEADER</td> </tr> <tr> <td></td> <td>100 PLC ± .0505</td> <td>S. WELDON</td> <td>22MAY2003</td> <td>S. HEADER</td> </tr> <tr> <td></td> <td>101 PLC ± .0510</td> <td>S. WELDON</td> <td>22MAY2003</td> <td>S. HEADER</td> </tr> <tr> <td></td> <td>102 PLC ± .0515</td> <td>S. WELDON</td> <td>22MAY2003</td> <td>S. HEADER</td> </tr> <tr> <td></td> <td>103 PLC ± .0520</td> <td>S. WELDON</td> <td>22MAY2003</td> <td>S. HEADER</td> </tr> <tr> <td></td> <td>104 PLC ± .0525</td> <td>S. WELDON</td> <td>22MAY2003</td> <td>S. HEADER</td> </tr> <tr> <td></td> <td>105 PLC ± .0530</td> <td>S. WELDON</td> <td>22MAY2003</td> <td>S. HEADER</td> </tr> <tr> <td></td> <td>106 PLC ± .0535</td> <td>S. WELDON</td> <td>22MAY2003</td> <td>S. HEADER</td> </tr> <tr> <td></td> <td>107 PLC ± .0540</td> <td>S. WELDON</td> <td>22MAY2003</td> <td>S. HEADER</td> </tr> <tr> <td></td> <td>108 PLC ± .0545</td> <td>S. WELDON</td> <td>22MAY2003</td> <td>S. HEADER</td> </tr> <tr> <td></td> <td>109 PLC ± .0550</td> <td>S. WELDON</td> <td>22MAY2003</td> <td>S. HEADER</td> </tr> <tr> <td></td> <td>110 PLC ± .0555</td> <td>S. WELDON</td> <td>22MAY2003</td> <td>S. HEADER</td> </tr> <tr> <td></td> <td>111 PLC ± .0560</td> <td>S. WELDON</td> <td>22MAY2003</td> <td>S. HEADER</td> </tr> <tr> <td></td> <td>112 PLC ± .0565</td> <td>S. WELDON</td> <td>22MAY2003</td> <td>S. HEADER</td> </tr> <tr> <td></td> <td>113 PLC ± .0570</td> <td>S. WELDON</td> <td>22MAY2003</td> <td>S. HEADER</td> </tr> <tr> <td></td> <td>114 PLC ± .0575</td> <td>S. WELDON</td> <td>22MAY2003</td> <td>S. HEADER</td> </tr> <tr> <td></td> <td>115 PLC ± .0580</td> <td>S. WELDON</td> <td>22MAY2003</td> <td>S. HEADER</td> </tr> <tr> <td></td> <td>116 PLC ± .0585</td> <td>S. WELDON</td> <td>22MAY2003</td> <td>S. HEADER</td> </tr> <tr> <td></td> <td>117 PLC ± .0590</td> <td>S. WELDON</td> <td>22MAY2003</td> <td>S. HEADER</td> </tr> <tr> <td></td> <td>118 PLC ± .0595</td> <td>S. WELDON</td> <td>22MAY2003</td> <td>S. HEADER</td> </tr> <tr> <td></td> <td>119 PLC ± .0600</td> <td>S. WELDON</td> <td>22MAY2003</td> <td>S. HEADER</td> </tr> <tr> <td></td> <td>120 PLC ± .0605</td> <td>S. WELDON</td> <td>22MAY2003</td> <td>S. HEADER</td> </tr> <tr> <td></td> <td>121 PLC ± .0610</td> <td>S. WELDON</td> <td>22MAY2003</td> <td>S. HEADER</td> </tr> <tr> <td></td> <td>122 PLC ± .0615</td> <td>S. WELDON</td> <td>22MAY2003</td> <td>S. HEADER</td> </tr> <tr> <td></td> <td>123 PLC ± .0620</td> <td>S. WELDON</td> <td>22MAY2003</td> <td>S. HEADER</td> </tr> <tr> <td></td> <td>124 PLC ± .0625</td> <td>S. WELDON</td> <td>22MAY2003</td> <td>S. HEADER</td> </tr> <tr> <td></td> <td>125 PLC ± .0630</td> <td>S. WELDON</td> <td>22MAY2003</td> <td>S. HEADER</td> </tr> <tr> <td></td> <td>126 PLC ± .0635</td> <td>S. WELDON</td> <td>22MAY2003</td> <td>S. HEADER</td> </tr> <tr> <td></td> <td>127 PLC ± .0640</td> <td>S. WELDON</td> <td>22MAY2003</td> <td>S. HEADER</td> </tr> <tr> <td></td> <td>128 PLC ± .0645</td> <td>S. WELDON</td> <td>22MAY2003</td> <td>S. HEADER</td> </tr> <tr> <td></td> <td>129 PLC ± .0650</td> <td>S. WELDON</td> <td>22MAY2003</td> <td>S. HEADER</td> </tr> <tr> <td></td> <td>130 PLC ± .0655</td> <td>S. WELDON</td> <td>22MAY2003</td> <td>S. HEADER</td> </tr> <tr> <td></td> <td>131 PLC ± .0660</td> <td>S. WELDON</td> <td>22MAY2003</td> <td>S. HEADER</td> </tr> <tr> <td></td> <td>132 PLC ± .0665</td> <td>S. WELDON</td> <td>22MAY2003</td> <td>S. HEADER</td> </tr> <tr> <td></td> <td>133 PLC ± .0670</td> <td>S. WELDON</td> <td>22MAY2003</td> <td>S. HEADER</td> </tr> <tr> <td></td> <td>134 PLC ± .0675</td> <td>S. WELDON</td> <td>22MAY2003</td> <td>S. HEADER</td> </tr> <tr> <td></td> <td>135 PLC ± .0680</td> <td>S. WELDON</td> <td>22MAY2003</td> <td>S. HEADER</td> </tr> <tr> <td></td> <td>136 PLC ± .0685</td> <td>S. WELDON</td> <td>22MAY2003</td> <td>S. HEADER</td> </tr> <tr> <td></td> <td>137 PLC ± .0690</td> <td>S. WELDON</td> <td>22MAY2003</td> <td>S. HEADER</td> </tr> <tr> <td></td> <td>138 PLC ± .0695</td> <td>S. WELDON</td> <td>22MAY2003</td> <td>S. HEADER</td> </tr> <tr> <td></td> <td>139 PLC ± .0700</td> <td>S. WELDON</td> <td>22MAY2003</td> <td>S. HEADER</td> </tr> <tr> <td></td> <td>140 PLC ± .0705</td> <td>S. WELDON</td> <td>22MAY2003</td> <td>S. HEADER</td> </tr> <tr> <td></td> <td>141 PLC ± .0710</td> <td>S. WELDON</td> <td>22MAY2003</td> <td>S. HEADER</td> </tr> <tr> <td></td> <td>142 PLC ± .0715</td> <td>S. WELDON</td> <td>22MAY2003</td> <td>S. HEADER</td> </tr> <tr> <td></td> <td>143 PLC ± .0720</td> <td>S. WELDON</td> <td>22MAY2003</td> <td>S. HEADER</td> </tr> <tr> <td></td> <td>144 PLC ± .0725</td> <td>S. WELDON</td> <td>22MAY2003</td> <td>S. HEADER</td> </tr> <tr> <td></td> <td>145 PLC ± .0730</td> <td>S. WELDON</td> <td>22MAY2003</td> <td>S. HEADER</td> </tr> <tr> <td></td> <td>146 PLC ± .0735</td> <td>S. WELDON</td> <td>22MAY2003</td> <td>S. HEADER</td> </tr> <tr> <td></td> <td>147 PLC ± .0740</td> <td>S. WELDON</td> <td>22MAY2003</td> <td>S. HEADER</td> </tr> <tr> <td></td> <td>148 PLC ± .0745</td> <td>S. WELDON</td> <td>22MAY2003</td> <td>S. HEADER</td> </tr> <tr> <td></td> <td>149 PLC ± .0750</td> <td>S. WELDON</td> <td>22MAY2003</td> <td>S. HEADER</td> </tr> <tr> <td></td> <td>150 PLC ± .0755</td> <td>S. WELDON</td> <td>22MAY2003</td> <td>S. HEADER</td> </tr> <tr> <td></td> <td>151 PLC ± .0760</td> <td>S. WELDON</td> <td>22MAY2003</td> <td>S. HEADER</td> </tr> <tr> <td></td> <td>152 PLC ± .0765</td> <td>S. WELDON</td> <td>22MAY2003</td> <td>S. HEADER</td> </tr> <tr> <td></td> <td>153 PLC ± .0770</td> <td>S. WELDON</td> <td>22MAY2003</td> <td>S. HEADER</td> </tr> <tr> <td></td> <td>154 PLC ± .0775</td> <td>S. WELDON</td> <td>22MAY2003</td> <td>S. HEADER</td> </tr> <tr> <td></td> <td>155 PLC ± .0780</td> <td>S. WELDON</td> <td>22MAY2003</td> <td>S. HEADER</td> </tr> <tr> <td></td> <td>156 PLC ± .0785</td> <td>S. WELDON</td> <td>22MAY2003</td> <td>S. HEADER</td> </tr> <tr> <td></td> <td>157 PLC ± .0790</td> <td>S. WELDON</td> <td>22MAY2003</td> <td>S. HEADER</td> </tr> <tr> <td></td> <td>158 PLC ± .0795</td> <td>S. WELDON</td> <td>22MAY2003</td> <td>S. HEADER</td> </tr> <tr> <td></td> <td>159 PLC ± .0800</td> <td>S. WELDON</td> <td>22MAY2003</td> <td>S. HEADER</td> </tr> <tr> <td></td> <td>160 PLC ± .0805</td> <td>S. WELDON</td> <td>22MAY2003</td> <td>S. HEADER</td> </tr> <tr> <td></td> <td>161 PLC ± .0810</td> <td>S. WELDON</td> <td>22MAY2003</td> <td>S. HEADER</td> </tr> <tr> <td></td> <td>162 PLC ± .0815</td> <td>S. WELDON</td> <td>22MAY2003</td> <td>S. HEADER</td> </tr> <tr> <td></td> <td>163 PLC ± .0820</td> <td>S. WELDON</td> <td>22MAY2003</td> <td>S. HEADER</td> </tr> <tr> <td></td> <td>164 PLC ± .0825</td> <td>S. WELDON</td> <td>22MAY2003</td> <td>S. HEADER</td> </tr> <tr> <td></td> <td>165 PLC ± .0830</td> <td>S. WELDON</td> <td>22MAY2003</td> <td>S. HEADER</td> </tr> <tr> <td></td> <td>166 PLC ± .0835</td> <td>S. WELDON</td> <td>22MAY2003</td> <td>S. HEADER</td> </tr> <tr> <td></td> <td>167 PLC ± .0840</td> <td>S. WELDON</td> <td>22MAY2003</td> <td>S. HEADER</td> </tr> <tr> <td></td> <td>168 PLC ± .0845</td> <td>S. WELDON</td> <td>22MAY2003</td> <td>S. HEADER</td> </tr> <tr> <td></td> <td>169 PLC ± .0850</td> <td>S. WELDON</td> <td>22MAY2003</td> <td>S. HEADER</td> </tr> <tr> <td></td> <td>170 PLC ± .0855</td> <td>S. WELDON</td> <td>22MAY2003</td> <td>S. HEADER</td> </tr> <tr> <td></td> <td>171 PLC ± .0860</td> <td>S. WELDON</td> <td>22MAY2003</td> <td>S. HEADER</td> </tr> <tr> <td></td> <td>172 PLC ± .0865</td> <td>S. WELDON</td> <td>22MAY2003</td> <td>S. HEADER</td> </tr> <tr> <td></td> <td>173 PLC ± .0870</td> <td>S. WELDON</td> <td>22MAY2003</td> <td>S. HEADER</td> </tr> <tr> <td></td> <td>174 PLC ± .0875</td> <td>S. WELDON</td> <td>22MAY2003</td> <td>S. HEADER</td> </tr> <tr> <td></td> <td>175 PLC ± .0880</td> <td>S. WELDON</td> <td>22MAY2003</td> <td>S. HEADER</td> </tr> <tr> <td></td> <td>176 PLC ± .0885</td> <td>S. WELDON</td> <td>22MAY2003</td> </tr></tbody></table>				DIMENSIONS:	TOLERANCES UNLESS OTHERWISE SPECIFIED:	DWN	DATE	NAME	INCHES:	0 PLC ± .0005	S. WELDON	22MAY2003	S. HEADER		1 PLC ± .0010	S. WELDON	22MAY2003	S. HEADER		2 PLC ± .0015	S. WELDON	22MAY2003	S. HEADER		3 PLC ± .0020	S. WELDON	22MAY2003	S. HEADER		4 PLC ± .0025	S. WELDON	22MAY2003	S. HEADER		5 PLC ± .0030	S. WELDON	22MAY2003	S. HEADER		6 PLC ± .0035	S. WELDON	22MAY2003	S. HEADER		7 PLC ± .0040	S. WELDON	22MAY2003	S. HEADER		8 PLC ± .0045	S. WELDON	22MAY2003	S. HEADER		9 PLC ± .0050	S. WELDON	22MAY2003	S. HEADER		10 PLC ± .0055	S. WELDON	22MAY2003	S. HEADER		11 PLC ± .0060	S. WELDON	22MAY2003	S. HEADER		12 PLC ± .0065	S. WELDON	22MAY2003	S. HEADER		13 PLC ± .0070	S. WELDON	22MAY2003	S. HEADER		14 PLC ± .0075	S. WELDON	22MAY2003	S. HEADER		15 PLC ± .0080	S. WELDON	22MAY2003	S. HEADER		16 PLC ± .0085	S. WELDON	22MAY2003	S. HEADER		17 PLC ± .0090	S. WELDON	22MAY2003	S. HEADER		18 PLC ± .0095	S. WELDON	22MAY2003	S. HEADER		19 PLC ± .0100	S. WELDON	22MAY2003	S. HEADER		20 PLC ± .0105	S. WELDON	22MAY2003	S. HEADER		21 PLC ± .0110	S. WELDON	22MAY2003	S. HEADER		22 PLC ± .0115	S. WELDON	22MAY2003	S. HEADER		23 PLC ± .0120	S. WELDON	22MAY2003	S. HEADER		24 PLC ± .0125	S. WELDON	22MAY2003	S. HEADER		25 PLC ± .0130	S. WELDON	22MAY2003	S. HEADER		26 PLC ± .0135	S. WELDON	22MAY2003	S. HEADER		27 PLC ± .0140	S. WELDON	22MAY2003	S. HEADER		28 PLC ± .0145	S. WELDON	22MAY2003	S. HEADER		29 PLC ± .0150	S. WELDON	22MAY2003	S. HEADER		30 PLC ± .0155	S. WELDON	22MAY2003	S. HEADER		31 PLC ± .0160	S. WELDON	22MAY2003	S. HEADER		32 PLC ± .0165	S. WELDON	22MAY2003	S. HEADER		33 PLC ± .0170	S. WELDON	22MAY2003	S. HEADER		34 PLC ± .0175	S. WELDON	22MAY2003	S. HEADER		35 PLC ± .0180	S. WELDON	22MAY2003	S. HEADER		36 PLC ± .0185	S. WELDON	22MAY2003	S. HEADER		37 PLC ± .0190	S. WELDON	22MAY2003	S. HEADER		38 PLC ± .0195	S. WELDON	22MAY2003	S. HEADER		39 PLC ± .0200	S. WELDON	22MAY2003	S. HEADER		40 PLC ± .0205	S. WELDON	22MAY2003	S. HEADER		41 PLC ± .0210	S. WELDON	22MAY2003	S. HEADER		42 PLC ± .0215	S. WELDON	22MAY2003	S. HEADER		43 PLC ± .0220	S. WELDON	22MAY2003	S. HEADER		44 PLC ± .0225	S. WELDON	22MAY2003	S. HEADER		45 PLC ± .0230	S. WELDON	22MAY2003	S. HEADER		46 PLC ± .0235	S. WELDON	22MAY2003	S. HEADER		47 PLC ± .0240	S. WELDON	22MAY2003	S. HEADER		48 PLC ± .0245	S. WELDON	22MAY2003	S. HEADER		49 PLC ± .0250	S. WELDON	22MAY2003	S. HEADER		50 PLC ± .0255	S. WELDON	22MAY2003	S. HEADER		51 PLC ± .0260	S. WELDON	22MAY2003	S. HEADER		52 PLC ± .0265	S. WELDON	22MAY2003	S. HEADER		53 PLC ± .0270	S. WELDON	22MAY2003	S. HEADER		54 PLC ± .0275	S. WELDON	22MAY2003	S. HEADER		55 PLC ± .0280	S. WELDON	22MAY2003	S. HEADER		56 PLC ± .0285	S. WELDON	22MAY2003	S. HEADER		57 PLC ± .0290	S. WELDON	22MAY2003	S. HEADER		58 PLC ± .0295	S. WELDON	22MAY2003	S. HEADER		59 PLC ± .0300	S. WELDON	22MAY2003	S. HEADER		60 PLC ± .0305	S. WELDON	22MAY2003	S. HEADER		61 PLC ± .0310	S. WELDON	22MAY2003	S. HEADER		62 PLC ± .0315	S. WELDON	22MAY2003	S. HEADER		63 PLC ± .0320	S. WELDON	22MAY2003	S. HEADER		64 PLC ± .0325	S. WELDON	22MAY2003	S. HEADER		65 PLC ± .0330	S. WELDON	22MAY2003	S. HEADER		66 PLC ± .0335	S. WELDON	22MAY2003	S. HEADER		67 PLC ± .0340	S. WELDON	22MAY2003	S. HEADER		68 PLC ± .0345	S. WELDON	22MAY2003	S. HEADER		69 PLC ± .0350	S. WELDON	22MAY2003	S. HEADER		70 PLC ± .0355	S. WELDON	22MAY2003	S. HEADER		71 PLC ± .0360	S. WELDON	22MAY2003	S. HEADER		72 PLC ± .0365	S. WELDON	22MAY2003	S. HEADER		73 PLC ± .0370	S. WELDON	22MAY2003	S. HEADER		74 PLC ± .0375	S. WELDON	22MAY2003	S. HEADER		75 PLC ± .0380	S. WELDON	22MAY2003	S. HEADER		76 PLC ± .0385	S. WELDON	22MAY2003	S. HEADER		77 PLC ± .0390	S. WELDON	22MAY2003	S. HEADER		78 PLC ± .0395	S. WELDON	22MAY2003	S. HEADER		79 PLC ± .0400	S. WELDON	22MAY2003	S. HEADER		80 PLC ± .0405	S. WELDON	22MAY2003	S. HEADER		81 PLC ± .0410	S. WELDON	22MAY2003	S. HEADER		82 PLC ± .0415	S. WELDON	22MAY2003	S. HEADER		83 PLC ± .0420	S. WELDON	22MAY2003	S. HEADER		84 PLC ± .0425	S. WELDON	22MAY2003	S. HEADER		85 PLC ± .0430	S. WELDON	22MAY2003	S. HEADER		86 PLC ± .0435	S. WELDON	22MAY2003	S. HEADER		87 PLC ± .0440	S. WELDON	22MAY2003	S. HEADER		88 PLC ± .0445	S. WELDON	22MAY2003	S. HEADER		89 PLC ± .0450	S. WELDON	22MAY2003	S. HEADER		90 PLC ± .0455	S. WELDON	22MAY2003	S. HEADER		91 PLC ± .0460	S. WELDON	22MAY2003	S. HEADER		92 PLC ± .0465	S. WELDON	22MAY2003	S. HEADER		93 PLC ± .0470	S. WELDON	22MAY2003	S. HEADER		94 PLC ± .0475	S. WELDON	22MAY2003	S. HEADER		95 PLC ± .0480	S. WELDON	22MAY2003	S. HEADER		96 PLC ± .0485	S. WELDON	22MAY2003	S. HEADER		97 PLC ± .0490	S. WELDON	22MAY2003	S. HEADER		98 PLC ± .0495	S. WELDON	22MAY2003	S. HEADER		99 PLC ± .0500	S. WELDON	22MAY2003	S. HEADER		100 PLC ± .0505	S. WELDON	22MAY2003	S. HEADER		101 PLC ± .0510	S. WELDON	22MAY2003	S. HEADER		102 PLC ± .0515	S. WELDON	22MAY2003	S. HEADER		103 PLC ± .0520	S. WELDON	22MAY2003	S. HEADER		104 PLC ± .0525	S. WELDON	22MAY2003	S. HEADER		105 PLC ± .0530	S. WELDON	22MAY2003	S. HEADER		106 PLC ± .0535	S. WELDON	22MAY2003	S. HEADER		107 PLC ± .0540	S. WELDON	22MAY2003	S. HEADER		108 PLC ± .0545	S. WELDON	22MAY2003	S. HEADER		109 PLC ± .0550	S. WELDON	22MAY2003	S. HEADER		110 PLC ± .0555	S. WELDON	22MAY2003	S. HEADER		111 PLC ± .0560	S. WELDON	22MAY2003	S. HEADER		112 PLC ± .0565	S. WELDON	22MAY2003	S. HEADER		113 PLC ± .0570	S. WELDON	22MAY2003	S. HEADER		114 PLC ± .0575	S. WELDON	22MAY2003	S. HEADER		115 PLC ± .0580	S. WELDON	22MAY2003	S. HEADER		116 PLC ± .0585	S. WELDON	22MAY2003	S. HEADER		117 PLC ± .0590	S. WELDON	22MAY2003	S. HEADER		118 PLC ± .0595	S. WELDON	22MAY2003	S. HEADER		119 PLC ± .0600	S. WELDON	22MAY2003	S. HEADER		120 PLC ± .0605	S. WELDON	22MAY2003	S. HEADER		121 PLC ± .0610	S. WELDON	22MAY2003	S. HEADER		122 PLC ± .0615	S. WELDON	22MAY2003	S. HEADER		123 PLC ± .0620	S. WELDON	22MAY2003	S. HEADER		124 PLC ± .0625	S. WELDON	22MAY2003	S. HEADER		125 PLC ± .0630	S. WELDON	22MAY2003	S. HEADER		126 PLC ± .0635	S. WELDON	22MAY2003	S. HEADER		127 PLC ± .0640	S. WELDON	22MAY2003	S. HEADER		128 PLC ± .0645	S. WELDON	22MAY2003	S. HEADER		129 PLC ± .0650	S. WELDON	22MAY2003	S. HEADER		130 PLC ± .0655	S. WELDON	22MAY2003	S. HEADER		131 PLC ± .0660	S. WELDON	22MAY2003	S. HEADER		132 PLC ± .0665	S. WELDON	22MAY2003	S. HEADER		133 PLC ± .0670	S. WELDON	22MAY2003	S. HEADER		134 PLC ± .0675	S. WELDON	22MAY2003	S. HEADER		135 PLC ± .0680	S. WELDON	22MAY2003	S. HEADER		136 PLC ± .0685	S. WELDON	22MAY2003	S. HEADER		137 PLC ± .0690	S. WELDON	22MAY2003	S. HEADER		138 PLC ± .0695	S. WELDON	22MAY2003	S. HEADER		139 PLC ± .0700	S. WELDON	22MAY2003	S. HEADER		140 PLC ± .0705	S. WELDON	22MAY2003	S. HEADER		141 PLC ± .0710	S. WELDON	22MAY2003	S. HEADER		142 PLC ± .0715	S. WELDON	22MAY2003	S. HEADER		143 PLC ± .0720	S. WELDON	22MAY2003	S. HEADER		144 PLC ± .0725	S. WELDON	22MAY2003	S. HEADER		145 PLC ± .0730	S. WELDON	22MAY2003	S. HEADER		146 PLC ± .0735	S. WELDON	22MAY2003	S. HEADER		147 PLC ± .0740	S. WELDON	22MAY2003	S. HEADER		148 PLC ± .0745	S. WELDON	22MAY2003	S. HEADER		149 PLC ± .0750	S. WELDON	22MAY2003	S. HEADER		150 PLC ± .0755	S. WELDON	22MAY2003	S. HEADER		151 PLC ± .0760	S. WELDON	22MAY2003	S. HEADER		152 PLC ± .0765	S. WELDON	22MAY2003	S. HEADER		153 PLC ± .0770	S. WELDON	22MAY2003	S. HEADER		154 PLC ± .0775	S. WELDON	22MAY2003	S. HEADER		155 PLC ± .0780	S. WELDON	22MAY2003	S. HEADER		156 PLC ± .0785	S. WELDON	22MAY2003	S. HEADER		157 PLC ± .0790	S. WELDON	22MAY2003	S. HEADER		158 PLC ± .0795	S. WELDON	22MAY2003	S. HEADER		159 PLC ± .0800	S. WELDON	22MAY2003	S. HEADER		160 PLC ± .0805	S. WELDON	22MAY2003	S. HEADER		161 PLC ± .0810	S. WELDON	22MAY2003	S. HEADER		162 PLC ± .0815	S. WELDON	22MAY2003	S. HEADER		163 PLC ± .0820	S. WELDON	22MAY2003	S. HEADER		164 PLC ± .0825	S. WELDON	22MAY2003	S. HEADER		165 PLC ± .0830	S. WELDON	22MAY2003	S. HEADER		166 PLC ± .0835	S. WELDON	22MAY2003	S. HEADER		167 PLC ± .0840	S. WELDON	22MAY2003	S. HEADER		168 PLC ± .0845	S. WELDON	22MAY2003	S. HEADER		169 PLC ± .0850	S. WELDON	22MAY2003	S. HEADER		170 PLC ± .0855	S. WELDON	22MAY2003	S. HEADER		171 PLC ± .0860	S. WELDON	22MAY2003	S. HEADER		172 PLC ± .0865	S. WELDON	22MAY2003	S. HEADER		173 PLC ± .0870	S. WELDON	22MAY2003	S. HEADER		174 PLC ± .0875	S. WELDON	22MAY2003	S. HEADER		175 PLC ± .0880	S. WELDON	22MAY2003	S. HEADER		176 PLC ± .0885	S. WELDON	22MAY2003
DIMENSIONS:	TOLERANCES UNLESS OTHERWISE SPECIFIED:	DWN	DATE	NAME																																																																																																																																																																																																																																																																																																																																																																																																																																																																																																																																																																																																																																																																																																																																																																																																																																																																																																																								
INCHES:	0 PLC ± .0005	S. WELDON	22MAY2003	S. HEADER																																																																																																																																																																																																																																																																																																																																																																																																																																																																																																																																																																																																																																																																																																																																																																																																																																																																																																																								
	1 PLC ± .0010	S. WELDON	22MAY2003	S. HEADER																																																																																																																																																																																																																																																																																																																																																																																																																																																																																																																																																																																																																																																																																																																																																																																																																																																																																																																								
	2 PLC ± .0015	S. WELDON	22MAY2003	S. HEADER																																																																																																																																																																																																																																																																																																																																																																																																																																																																																																																																																																																																																																																																																																																																																																																																																																																																																																																								
	3 PLC ± .0020	S. WELDON	22MAY2003	S. HEADER																																																																																																																																																																																																																																																																																																																																																																																																																																																																																																																																																																																																																																																																																																																																																																																																																																																																																																																								
	4 PLC ± .0025	S. WELDON	22MAY2003	S. HEADER																																																																																																																																																																																																																																																																																																																																																																																																																																																																																																																																																																																																																																																																																																																																																																																																																																																																																																																								
	5 PLC ± .0030	S. WELDON	22MAY2003	S. HEADER																																																																																																																																																																																																																																																																																																																																																																																																																																																																																																																																																																																																																																																																																																																																																																																																																																																																																																																								
	6 PLC ± .0035	S. WELDON	22MAY2003	S. HEADER																																																																																																																																																																																																																																																																																																																																																																																																																																																																																																																																																																																																																																																																																																																																																																																																																																																																																																																								
	7 PLC ± .0040	S. WELDON	22MAY2003	S. HEADER																																																																																																																																																																																																																																																																																																																																																																																																																																																																																																																																																																																																																																																																																																																																																																																																																																																																																																																								
	8 PLC ± .0045	S. WELDON	22MAY2003	S. HEADER																																																																																																																																																																																																																																																																																																																																																																																																																																																																																																																																																																																																																																																																																																																																																																																																																																																																																																																								
	9 PLC ± .0050	S. WELDON	22MAY2003	S. HEADER																																																																																																																																																																																																																																																																																																																																																																																																																																																																																																																																																																																																																																																																																																																																																																																																																																																																																																																								
	10 PLC ± .0055	S. WELDON	22MAY2003	S. HEADER																																																																																																																																																																																																																																																																																																																																																																																																																																																																																																																																																																																																																																																																																																																																																																																																																																																																																																																								
	11 PLC ± .0060	S. WELDON	22MAY2003	S. HEADER																																																																																																																																																																																																																																																																																																																																																																																																																																																																																																																																																																																																																																																																																																																																																																																																																																																																																																																								
	12 PLC ± .0065	S. WELDON	22MAY2003	S. HEADER																																																																																																																																																																																																																																																																																																																																																																																																																																																																																																																																																																																																																																																																																																																																																																																																																																																																																																																								
	13 PLC ± .0070	S. WELDON	22MAY2003	S. HEADER																																																																																																																																																																																																																																																																																																																																																																																																																																																																																																																																																																																																																																																																																																																																																																																																																																																																																																																								
	14 PLC ± .0075	S. WELDON	22MAY2003	S. HEADER																																																																																																																																																																																																																																																																																																																																																																																																																																																																																																																																																																																																																																																																																																																																																																																																																																																																																																																								
	15 PLC ± .0080	S. WELDON	22MAY2003	S. HEADER																																																																																																																																																																																																																																																																																																																																																																																																																																																																																																																																																																																																																																																																																																																																																																																																																																																																																																																								
	16 PLC ± .0085	S. WELDON	22MAY2003	S. HEADER																																																																																																																																																																																																																																																																																																																																																																																																																																																																																																																																																																																																																																																																																																																																																																																																																																																																																																																								
	17 PLC ± .0090	S. WELDON	22MAY2003	S. HEADER																																																																																																																																																																																																																																																																																																																																																																																																																																																																																																																																																																																																																																																																																																																																																																																																																																																																																																																								
	18 PLC ± .0095	S. WELDON	22MAY2003	S. HEADER																																																																																																																																																																																																																																																																																																																																																																																																																																																																																																																																																																																																																																																																																																																																																																																																																																																																																																																								
	19 PLC ± .0100	S. WELDON	22MAY2003	S. HEADER																																																																																																																																																																																																																																																																																																																																																																																																																																																																																																																																																																																																																																																																																																																																																																																																																																																																																																																								
	20 PLC ± .0105	S. WELDON	22MAY2003	S. HEADER																																																																																																																																																																																																																																																																																																																																																																																																																																																																																																																																																																																																																																																																																																																																																																																																																																																																																																																								
	21 PLC ± .0110	S. WELDON	22MAY2003	S. HEADER																																																																																																																																																																																																																																																																																																																																																																																																																																																																																																																																																																																																																																																																																																																																																																																																																																																																																																																								
	22 PLC ± .0115	S. WELDON	22MAY2003	S. HEADER																																																																																																																																																																																																																																																																																																																																																																																																																																																																																																																																																																																																																																																																																																																																																																																																																																																																																																																								
	23 PLC ± .0120	S. WELDON	22MAY2003	S. HEADER																																																																																																																																																																																																																																																																																																																																																																																																																																																																																																																																																																																																																																																																																																																																																																																																																																																																																																																								
	24 PLC ± .0125	S. WELDON	22MAY2003	S. HEADER																																																																																																																																																																																																																																																																																																																																																																																																																																																																																																																																																																																																																																																																																																																																																																																																																																																																																																																								
	25 PLC ± .0130	S. WELDON	22MAY2003	S. HEADER																																																																																																																																																																																																																																																																																																																																																																																																																																																																																																																																																																																																																																																																																																																																																																																																																																																																																																																								
	26 PLC ± .0135	S. WELDON	22MAY2003	S. HEADER																																																																																																																																																																																																																																																																																																																																																																																																																																																																																																																																																																																																																																																																																																																																																																																																																																																																																																																								
	27 PLC ± .0140	S. WELDON	22MAY2003	S. HEADER																																																																																																																																																																																																																																																																																																																																																																																																																																																																																																																																																																																																																																																																																																																																																																																																																																																																																																																								
	28 PLC ± .0145	S. WELDON	22MAY2003	S. HEADER																																																																																																																																																																																																																																																																																																																																																																																																																																																																																																																																																																																																																																																																																																																																																																																																																																																																																																																								
	29 PLC ± .0150	S. WELDON	22MAY2003	S. HEADER																																																																																																																																																																																																																																																																																																																																																																																																																																																																																																																																																																																																																																																																																																																																																																																																																																																																																																																								
	30 PLC ± .0155	S. WELDON	22MAY2003	S. HEADER																																																																																																																																																																																																																																																																																																																																																																																																																																																																																																																																																																																																																																																																																																																																																																																																																																																																																																																								
	31 PLC ± .0160	S. WELDON	22MAY2003	S. HEADER																																																																																																																																																																																																																																																																																																																																																																																																																																																																																																																																																																																																																																																																																																																																																																																																																																																																																																																								
	32 PLC ± .0165	S. WELDON	22MAY2003	S. HEADER																																																																																																																																																																																																																																																																																																																																																																																																																																																																																																																																																																																																																																																																																																																																																																																																																																																																																																																								
	33 PLC ± .0170	S. WELDON	22MAY2003	S. HEADER																																																																																																																																																																																																																																																																																																																																																																																																																																																																																																																																																																																																																																																																																																																																																																																																																																																																																																																								
	34 PLC ± .0175	S. WELDON	22MAY2003	S. HEADER																																																																																																																																																																																																																																																																																																																																																																																																																																																																																																																																																																																																																																																																																																																																																																																																																																																																																																																								
	35 PLC ± .0180	S. WELDON	22MAY2003	S. HEADER																																																																																																																																																																																																																																																																																																																																																																																																																																																																																																																																																																																																																																																																																																																																																																																																																																																																																																																								
	36 PLC ± .0185	S. WELDON	22MAY2003	S. HEADER																																																																																																																																																																																																																																																																																																																																																																																																																																																																																																																																																																																																																																																																																																																																																																																																																																																																																																																								
	37 PLC ± .0190	S. WELDON	22MAY2003	S. HEADER																																																																																																																																																																																																																																																																																																																																																																																																																																																																																																																																																																																																																																																																																																																																																																																																																																																																																																																								
	38 PLC ± .0195	S. WELDON	22MAY2003	S. HEADER																																																																																																																																																																																																																																																																																																																																																																																																																																																																																																																																																																																																																																																																																																																																																																																																																																																																																																																								
	39 PLC ± .0200	S. WELDON	22MAY2003	S. HEADER																																																																																																																																																																																																																																																																																																																																																																																																																																																																																																																																																																																																																																																																																																																																																																																																																																																																																																																								
	40 PLC ± .0205	S. WELDON	22MAY2003	S. HEADER																																																																																																																																																																																																																																																																																																																																																																																																																																																																																																																																																																																																																																																																																																																																																																																																																																																																																																																								
	41 PLC ± .0210	S. WELDON	22MAY2003	S. HEADER																																																																																																																																																																																																																																																																																																																																																																																																																																																																																																																																																																																																																																																																																																																																																																																																																																																																																																																								
	42 PLC ± .0215	S. WELDON	22MAY2003	S. HEADER																																																																																																																																																																																																																																																																																																																																																																																																																																																																																																																																																																																																																																																																																																																																																																																																																																																																																																																								
	43 PLC ± .0220	S. WELDON	22MAY2003	S. HEADER																																																																																																																																																																																																																																																																																																																																																																																																																																																																																																																																																																																																																																																																																																																																																																																																																																																																																																																								
	44 PLC ± .0225	S. WELDON	22MAY2003	S. HEADER																																																																																																																																																																																																																																																																																																																																																																																																																																																																																																																																																																																																																																																																																																																																																																																																																																																																																																																								
	45 PLC ± .0230	S. WELDON	22MAY2003	S. HEADER																																																																																																																																																																																																																																																																																																																																																																																																																																																																																																																																																																																																																																																																																																																																																																																																																																																																																																																								
	46 PLC ± .0235	S. WELDON	22MAY2003	S. HEADER																																																																																																																																																																																																																																																																																																																																																																																																																																																																																																																																																																																																																																																																																																																																																																																																																																																																																																																								
	47 PLC ± .0240	S. WELDON	22MAY2003	S. HEADER																																																																																																																																																																																																																																																																																																																																																																																																																																																																																																																																																																																																																																																																																																																																																																																																																																																																																																																								
	48 PLC ± .0245	S. WELDON	22MAY2003	S. HEADER																																																																																																																																																																																																																																																																																																																																																																																																																																																																																																																																																																																																																																																																																																																																																																																																																																																																																																																								
	49 PLC ± .0250	S. WELDON	22MAY2003	S. HEADER																																																																																																																																																																																																																																																																																																																																																																																																																																																																																																																																																																																																																																																																																																																																																																																																																																																																																																																								
	50 PLC ± .0255	S. WELDON	22MAY2003	S. HEADER																																																																																																																																																																																																																																																																																																																																																																																																																																																																																																																																																																																																																																																																																																																																																																																																																																																																																																																								
	51 PLC ± .0260	S. WELDON	22MAY2003	S. HEADER																																																																																																																																																																																																																																																																																																																																																																																																																																																																																																																																																																																																																																																																																																																																																																																																																																																																																																																								
	52 PLC ± .0265	S. WELDON	22MAY2003	S. HEADER																																																																																																																																																																																																																																																																																																																																																																																																																																																																																																																																																																																																																																																																																																																																																																																																																																																																																																																								
	53 PLC ± .0270	S. WELDON	22MAY2003	S. HEADER																																																																																																																																																																																																																																																																																																																																																																																																																																																																																																																																																																																																																																																																																																																																																																																																																																																																																																																								
	54 PLC ± .0275	S. WELDON	22MAY2003	S. HEADER																																																																																																																																																																																																																																																																																																																																																																																																																																																																																																																																																																																																																																																																																																																																																																																																																																																																																																																								
	55 PLC ± .0280	S. WELDON	22MAY2003	S. HEADER																																																																																																																																																																																																																																																																																																																																																																																																																																																																																																																																																																																																																																																																																																																																																																																																																																																																																																																								
	56 PLC ± .0285	S. WELDON	22MAY2003	S. HEADER																																																																																																																																																																																																																																																																																																																																																																																																																																																																																																																																																																																																																																																																																																																																																																																																																																																																																																																								
	57 PLC ± .0290	S. WELDON	22MAY2003	S. HEADER																																																																																																																																																																																																																																																																																																																																																																																																																																																																																																																																																																																																																																																																																																																																																																																																																																																																																																																								
	58 PLC ± .0295	S. WELDON	22MAY2003	S. HEADER																																																																																																																																																																																																																																																																																																																																																																																																																																																																																																																																																																																																																																																																																																																																																																																																																																																																																																																								
	59 PLC ± .0300	S. WELDON	22MAY2003	S. HEADER																																																																																																																																																																																																																																																																																																																																																																																																																																																																																																																																																																																																																																																																																																																																																																																																																																																																																																																								
	60 PLC ± .0305	S. WELDON	22MAY2003	S. HEADER																																																																																																																																																																																																																																																																																																																																																																																																																																																																																																																																																																																																																																																																																																																																																																																																																																																																																																																								
	61 PLC ± .0310	S. WELDON	22MAY2003	S. HEADER																																																																																																																																																																																																																																																																																																																																																																																																																																																																																																																																																																																																																																																																																																																																																																																																																																																																																																																								
	62 PLC ± .0315	S. WELDON	22MAY2003	S. HEADER																																																																																																																																																																																																																																																																																																																																																																																																																																																																																																																																																																																																																																																																																																																																																																																																																																																																																																																								
	63 PLC ± .0320	S. WELDON	22MAY2003	S. HEADER																																																																																																																																																																																																																																																																																																																																																																																																																																																																																																																																																																																																																																																																																																																																																																																																																																																																																																																								
	64 PLC ± .0325	S. WELDON	22MAY2003	S. HEADER																																																																																																																																																																																																																																																																																																																																																																																																																																																																																																																																																																																																																																																																																																																																																																																																																																																																																																																								
	65 PLC ± .0330	S. WELDON	22MAY2003	S. HEADER																																																																																																																																																																																																																																																																																																																																																																																																																																																																																																																																																																																																																																																																																																																																																																																																																																																																																																																								
	66 PLC ± .0335	S. WELDON	22MAY2003	S. HEADER																																																																																																																																																																																																																																																																																																																																																																																																																																																																																																																																																																																																																																																																																																																																																																																																																																																																																																																								
	67 PLC ± .0340	S. WELDON	22MAY2003	S. HEADER																																																																																																																																																																																																																																																																																																																																																																																																																																																																																																																																																																																																																																																																																																																																																																																																																																																																																																																								
	68 PLC ± .0345	S. WELDON	22MAY2003	S. HEADER																																																																																																																																																																																																																																																																																																																																																																																																																																																																																																																																																																																																																																																																																																																																																																																																																																																																																																																								
	69 PLC ± .0350	S. WELDON	22MAY2003	S. HEADER																																																																																																																																																																																																																																																																																																																																																																																																																																																																																																																																																																																																																																																																																																																																																																																																																																																																																																																								
	70 PLC ± .0355	S. WELDON	22MAY2003	S. HEADER																																																																																																																																																																																																																																																																																																																																																																																																																																																																																																																																																																																																																																																																																																																																																																																																																																																																																																																								
	71 PLC ± .0360	S. WELDON	22MAY2003	S. HEADER																																																																																																																																																																																																																																																																																																																																																																																																																																																																																																																																																																																																																																																																																																																																																																																																																																																																																																																								
	72 PLC ± .0365	S. WELDON	22MAY2003	S. HEADER																																																																																																																																																																																																																																																																																																																																																																																																																																																																																																																																																																																																																																																																																																																																																																																																																																																																																																																								
	73 PLC ± .0370	S. WELDON	22MAY2003	S. HEADER																																																																																																																																																																																																																																																																																																																																																																																																																																																																																																																																																																																																																																																																																																																																																																																																																																																																																																																								
	74 PLC ± .0375	S. WELDON	22MAY2003	S. HEADER																																																																																																																																																																																																																																																																																																																																																																																																																																																																																																																																																																																																																																																																																																																																																																																																																																																																																																																								
	75 PLC ± .0380	S. WELDON	22MAY2003	S. HEADER																																																																																																																																																																																																																																																																																																																																																																																																																																																																																																																																																																																																																																																																																																																																																																																																																																																																																																																								
	76 PLC ± .0385	S. WELDON	22MAY2003	S. HEADER																																																																																																																																																																																																																																																																																																																																																																																																																																																																																																																																																																																																																																																																																																																																																																																																																																																																																																																								
	77 PLC ± .0390	S. WELDON	22MAY2003	S. HEADER																																																																																																																																																																																																																																																																																																																																																																																																																																																																																																																																																																																																																																																																																																																																																																																																																																																																																																																								
	78 PLC ± .0395	S. WELDON	22MAY2003	S. HEADER																																																																																																																																																																																																																																																																																																																																																																																																																																																																																																																																																																																																																																																																																																																																																																																																																																																																																																																								
	79 PLC ± .0400	S. WELDON	22MAY2003	S. HEADER																																																																																																																																																																																																																																																																																																																																																																																																																																																																																																																																																																																																																																																																																																																																																																																																																																																																																																																								
	80 PLC ± .0405	S. WELDON	22MAY2003	S. HEADER																																																																																																																																																																																																																																																																																																																																																																																																																																																																																																																																																																																																																																																																																																																																																																																																																																																																																																																								
	81 PLC ± .0410	S. WELDON	22MAY2003	S. HEADER																																																																																																																																																																																																																																																																																																																																																																																																																																																																																																																																																																																																																																																																																																																																																																																																																																																																																																																								
	82 PLC ± .0415	S. WELDON	22MAY2003	S. HEADER																																																																																																																																																																																																																																																																																																																																																																																																																																																																																																																																																																																																																																																																																																																																																																																																																																																																																																																								
	83 PLC ± .0420	S. WELDON	22MAY2003	S. HEADER																																																																																																																																																																																																																																																																																																																																																																																																																																																																																																																																																																																																																																																																																																																																																																																																																																																																																																																								
	84 PLC ± .0425	S. WELDON	22MAY2003	S. HEADER																																																																																																																																																																																																																																																																																																																																																																																																																																																																																																																																																																																																																																																																																																																																																																																																																																																																																																																								
	85 PLC ± .0430	S. WELDON	22MAY2003	S. HEADER																																																																																																																																																																																																																																																																																																																																																																																																																																																																																																																																																																																																																																																																																																																																																																																																																																																																																																																								
	86 PLC ± .0435	S. WELDON	22MAY2003	S. HEADER																																																																																																																																																																																																																																																																																																																																																																																																																																																																																																																																																																																																																																																																																																																																																																																																																																																																																																																								
	87 PLC ± .0440	S. WELDON	22MAY2003	S. HEADER																																																																																																																																																																																																																																																																																																																																																																																																																																																																																																																																																																																																																																																																																																																																																																																																																																																																																																																								
	88 PLC ± .0445	S. WELDON	22MAY2003	S. HEADER																																																																																																																																																																																																																																																																																																																																																																																																																																																																																																																																																																																																																																																																																																																																																																																																																																																																																																																								
	89 PLC ± .0450	S. WELDON	22MAY2003	S. HEADER																																																																																																																																																																																																																																																																																																																																																																																																																																																																																																																																																																																																																																																																																																																																																																																																																																																																																																																								
	90 PLC ± .0455	S. WELDON	22MAY2003	S. HEADER																																																																																																																																																																																																																																																																																																																																																																																																																																																																																																																																																																																																																																																																																																																																																																																																																																																																																																																								
	91 PLC ± .0460	S. WELDON	22MAY2003	S. HEADER																																																																																																																																																																																																																																																																																																																																																																																																																																																																																																																																																																																																																																																																																																																																																																																																																																																																																																																								
	92 PLC ± .0465	S. WELDON	22MAY2003	S. HEADER																																																																																																																																																																																																																																																																																																																																																																																																																																																																																																																																																																																																																																																																																																																																																																																																																																																																																																																								
	93 PLC ± .0470	S. WELDON	22MAY2003	S. HEADER																																																																																																																																																																																																																																																																																																																																																																																																																																																																																																																																																																																																																																																																																																																																																																																																																																																																																																																								
	94 PLC ± .0475	S. WELDON	22MAY2003	S. HEADER																																																																																																																																																																																																																																																																																																																																																																																																																																																																																																																																																																																																																																																																																																																																																																																																																																																																																																																								
	95 PLC ± .0480	S. WELDON	22MAY2003	S. HEADER																																																																																																																																																																																																																																																																																																																																																																																																																																																																																																																																																																																																																																																																																																																																																																																																																																																																																																																								
	96 PLC ± .0485	S. WELDON	22MAY2003	S. HEADER																																																																																																																																																																																																																																																																																																																																																																																																																																																																																																																																																																																																																																																																																																																																																																																																																																																																																																																								
	97 PLC ± .0490	S. WELDON	22MAY2003	S. HEADER																																																																																																																																																																																																																																																																																																																																																																																																																																																																																																																																																																																																																																																																																																																																																																																																																																																																																																																								
	98 PLC ± .0495	S. WELDON	22MAY2003	S. HEADER																																																																																																																																																																																																																																																																																																																																																																																																																																																																																																																																																																																																																																																																																																																																																																																																																																																																																																																								
	99 PLC ± .0500	S. WELDON	22MAY2003	S. HEADER																																																																																																																																																																																																																																																																																																																																																																																																																																																																																																																																																																																																																																																																																																																																																																																																																																																																																																																								
	100 PLC ± .0505	S. WELDON	22MAY2003	S. HEADER																																																																																																																																																																																																																																																																																																																																																																																																																																																																																																																																																																																																																																																																																																																																																																																																																																																																																																																								
	101 PLC ± .0510	S. WELDON	22MAY2003	S. HEADER																																																																																																																																																																																																																																																																																																																																																																																																																																																																																																																																																																																																																																																																																																																																																																																																																																																																																																																								
	102 PLC ± .0515	S. WELDON	22MAY2003	S. HEADER																																																																																																																																																																																																																																																																																																																																																																																																																																																																																																																																																																																																																																																																																																																																																																																																																																																																																																																								
	103 PLC ± .0520	S. WELDON	22MAY2003	S. HEADER																																																																																																																																																																																																																																																																																																																																																																																																																																																																																																																																																																																																																																																																																																																																																																																																																																																																																																																								
	104 PLC ± .0525	S. WELDON	22MAY2003	S. HEADER																																																																																																																																																																																																																																																																																																																																																																																																																																																																																																																																																																																																																																																																																																																																																																																																																																																																																																																								
	105 PLC ± .0530	S. WELDON	22MAY2003	S. HEADER																																																																																																																																																																																																																																																																																																																																																																																																																																																																																																																																																																																																																																																																																																																																																																																																																																																																																																																								
	106 PLC ± .0535	S. WELDON	22MAY2003	S. HEADER																																																																																																																																																																																																																																																																																																																																																																																																																																																																																																																																																																																																																																																																																																																																																																																																																																																																																																																								
	107 PLC ± .0540	S. WELDON	22MAY2003	S. HEADER																																																																																																																																																																																																																																																																																																																																																																																																																																																																																																																																																																																																																																																																																																																																																																																																																																																																																																																								
	108 PLC ± .0545	S. WELDON	22MAY2003	S. HEADER																																																																																																																																																																																																																																																																																																																																																																																																																																																																																																																																																																																																																																																																																																																																																																																																																																																																																																																								
	109 PLC ± .0550	S. WELDON	22MAY2003	S. HEADER																																																																																																																																																																																																																																																																																																																																																																																																																																																																																																																																																																																																																																																																																																																																																																																																																																																																																																																								
	110 PLC ± .0555	S. WELDON	22MAY2003	S. HEADER																																																																																																																																																																																																																																																																																																																																																																																																																																																																																																																																																																																																																																																																																																																																																																																																																																																																																																																								
	111 PLC ± .0560	S. WELDON	22MAY2003	S. HEADER																																																																																																																																																																																																																																																																																																																																																																																																																																																																																																																																																																																																																																																																																																																																																																																																																																																																																																																								
	112 PLC ± .0565	S. WELDON	22MAY2003	S. HEADER																																																																																																																																																																																																																																																																																																																																																																																																																																																																																																																																																																																																																																																																																																																																																																																																																																																																																																																								
	113 PLC ± .0570	S. WELDON	22MAY2003	S. HEADER																																																																																																																																																																																																																																																																																																																																																																																																																																																																																																																																																																																																																																																																																																																																																																																																																																																																																																																								
	114 PLC ± .0575	S. WELDON	22MAY2003	S. HEADER																																																																																																																																																																																																																																																																																																																																																																																																																																																																																																																																																																																																																																																																																																																																																																																																																																																																																																																								
	115 PLC ± .0580	S. WELDON	22MAY2003	S. HEADER																																																																																																																																																																																																																																																																																																																																																																																																																																																																																																																																																																																																																																																																																																																																																																																																																																																																																																																								
	116 PLC ± .0585	S. WELDON	22MAY2003	S. HEADER																																																																																																																																																																																																																																																																																																																																																																																																																																																																																																																																																																																																																																																																																																																																																																																																																																																																																																																								
	117 PLC ± .0590	S. WELDON	22MAY2003	S. HEADER																																																																																																																																																																																																																																																																																																																																																																																																																																																																																																																																																																																																																																																																																																																																																																																																																																																																																																																								
	118 PLC ± .0595	S. WELDON	22MAY2003	S. HEADER																																																																																																																																																																																																																																																																																																																																																																																																																																																																																																																																																																																																																																																																																																																																																																																																																																																																																																																								
	119 PLC ± .0600	S. WELDON	22MAY2003	S. HEADER																																																																																																																																																																																																																																																																																																																																																																																																																																																																																																																																																																																																																																																																																																																																																																																																																																																																																																																								
	120 PLC ± .0605	S. WELDON	22MAY2003	S. HEADER																																																																																																																																																																																																																																																																																																																																																																																																																																																																																																																																																																																																																																																																																																																																																																																																																																																																																																																								
	121 PLC ± .0610	S. WELDON	22MAY2003	S. HEADER																																																																																																																																																																																																																																																																																																																																																																																																																																																																																																																																																																																																																																																																																																																																																																																																																																																																																																																								
	122 PLC ± .0615	S. WELDON	22MAY2003	S. HEADER																																																																																																																																																																																																																																																																																																																																																																																																																																																																																																																																																																																																																																																																																																																																																																																																																																																																																																																								
	123 PLC ± .0620	S. WELDON	22MAY2003	S. HEADER																																																																																																																																																																																																																																																																																																																																																																																																																																																																																																																																																																																																																																																																																																																																																																																																																																																																																																																								
	124 PLC ± .0625	S. WELDON	22MAY2003	S. HEADER																																																																																																																																																																																																																																																																																																																																																																																																																																																																																																																																																																																																																																																																																																																																																																																																																																																																																																																								
	125 PLC ± .0630	S. WELDON	22MAY2003	S. HEADER																																																																																																																																																																																																																																																																																																																																																																																																																																																																																																																																																																																																																																																																																																																																																																																																																																																																																																																								
	126 PLC ± .0635	S. WELDON	22MAY2003	S. HEADER																																																																																																																																																																																																																																																																																																																																																																																																																																																																																																																																																																																																																																																																																																																																																																																																																																																																																																																								
	127 PLC ± .0640	S. WELDON	22MAY2003	S. HEADER																																																																																																																																																																																																																																																																																																																																																																																																																																																																																																																																																																																																																																																																																																																																																																																																																																																																																																																								
	128 PLC ± .0645	S. WELDON	22MAY2003	S. HEADER																																																																																																																																																																																																																																																																																																																																																																																																																																																																																																																																																																																																																																																																																																																																																																																																																																																																																																																								
	129 PLC ± .0650	S. WELDON	22MAY2003	S. HEADER																																																																																																																																																																																																																																																																																																																																																																																																																																																																																																																																																																																																																																																																																																																																																																																																																																																																																																																								
	130 PLC ± .0655	S. WELDON	22MAY2003	S. HEADER																																																																																																																																																																																																																																																																																																																																																																																																																																																																																																																																																																																																																																																																																																																																																																																																																																																																																																																								
	131 PLC ± .0660	S. WELDON	22MAY2003	S. HEADER																																																																																																																																																																																																																																																																																																																																																																																																																																																																																																																																																																																																																																																																																																																																																																																																																																																																																																																								
	132 PLC ± .0665	S. WELDON	22MAY2003	S. HEADER																																																																																																																																																																																																																																																																																																																																																																																																																																																																																																																																																																																																																																																																																																																																																																																																																																																																																																																								
	133 PLC ± .0670	S. WELDON	22MAY2003	S. HEADER																																																																																																																																																																																																																																																																																																																																																																																																																																																																																																																																																																																																																																																																																																																																																																																																																																																																																																																								
	134 PLC ± .0675	S. WELDON	22MAY2003	S. HEADER																																																																																																																																																																																																																																																																																																																																																																																																																																																																																																																																																																																																																																																																																																																																																																																																																																																																																																																								
	135 PLC ± .0680	S. WELDON	22MAY2003	S. HEADER																																																																																																																																																																																																																																																																																																																																																																																																																																																																																																																																																																																																																																																																																																																																																																																																																																																																																																																								
	136 PLC ± .0685	S. WELDON	22MAY2003	S. HEADER																																																																																																																																																																																																																																																																																																																																																																																																																																																																																																																																																																																																																																																																																																																																																																																																																																																																																																																								
	137 PLC ± .0690	S. WELDON	22MAY2003	S. HEADER																																																																																																																																																																																																																																																																																																																																																																																																																																																																																																																																																																																																																																																																																																																																																																																																																																																																																																																								
	138 PLC ± .0695	S. WELDON	22MAY2003	S. HEADER																																																																																																																																																																																																																																																																																																																																																																																																																																																																																																																																																																																																																																																																																																																																																																																																																																																																																																																								
	139 PLC ± .0700	S. WELDON	22MAY2003	S. HEADER																																																																																																																																																																																																																																																																																																																																																																																																																																																																																																																																																																																																																																																																																																																																																																																																																																																																																																																								
	140 PLC ± .0705	S. WELDON	22MAY2003	S. HEADER																																																																																																																																																																																																																																																																																																																																																																																																																																																																																																																																																																																																																																																																																																																																																																																																																																																																																																																								
	141 PLC ± .0710	S. WELDON	22MAY2003	S. HEADER																																																																																																																																																																																																																																																																																																																																																																																																																																																																																																																																																																																																																																																																																																																																																																																																																																																																																																																								
	142 PLC ± .0715	S. WELDON	22MAY2003	S. HEADER																																																																																																																																																																																																																																																																																																																																																																																																																																																																																																																																																																																																																																																																																																																																																																																																																																																																																																																								
	143 PLC ± .0720	S. WELDON	22MAY2003	S. HEADER																																																																																																																																																																																																																																																																																																																																																																																																																																																																																																																																																																																																																																																																																																																																																																																																																																																																																																																								
	144 PLC ± .0725	S. WELDON	22MAY2003	S. HEADER																																																																																																																																																																																																																																																																																																																																																																																																																																																																																																																																																																																																																																																																																																																																																																																																																																																																																																																								
	145 PLC ± .0730	S. WELDON	22MAY2003	S. HEADER																																																																																																																																																																																																																																																																																																																																																																																																																																																																																																																																																																																																																																																																																																																																																																																																																																																																																																																								
	146 PLC ± .0735	S. WELDON	22MAY2003	S. HEADER																																																																																																																																																																																																																																																																																																																																																																																																																																																																																																																																																																																																																																																																																																																																																																																																																																																																																																																								
	147 PLC ± .0740	S. WELDON	22MAY2003	S. HEADER																																																																																																																																																																																																																																																																																																																																																																																																																																																																																																																																																																																																																																																																																																																																																																																																																																																																																																																								
	148 PLC ± .0745	S. WELDON	22MAY2003	S. HEADER																																																																																																																																																																																																																																																																																																																																																																																																																																																																																																																																																																																																																																																																																																																																																																																																																																																																																																																								
	149 PLC ± .0750	S. WELDON	22MAY2003	S. HEADER																																																																																																																																																																																																																																																																																																																																																																																																																																																																																																																																																																																																																																																																																																																																																																																																																																																																																																																								
	150 PLC ± .0755	S. WELDON	22MAY2003	S. HEADER																																																																																																																																																																																																																																																																																																																																																																																																																																																																																																																																																																																																																																																																																																																																																																																																																																																																																																																								
	151 PLC ± .0760	S. WELDON	22MAY2003	S. HEADER																																																																																																																																																																																																																																																																																																																																																																																																																																																																																																																																																																																																																																																																																																																																																																																																																																																																																																																								
	152 PLC ± .0765	S. WELDON	22MAY2003	S. HEADER																																																																																																																																																																																																																																																																																																																																																																																																																																																																																																																																																																																																																																																																																																																																																																																																																																																																																																																								
	153 PLC ± .0770	S. WELDON	22MAY2003	S. HEADER																																																																																																																																																																																																																																																																																																																																																																																																																																																																																																																																																																																																																																																																																																																																																																																																																																																																																																																								
	154 PLC ± .0775	S. WELDON	22MAY2003	S. HEADER																																																																																																																																																																																																																																																																																																																																																																																																																																																																																																																																																																																																																																																																																																																																																																																																																																																																																																																								
	155 PLC ± .0780	S. WELDON	22MAY2003	S. HEADER																																																																																																																																																																																																																																																																																																																																																																																																																																																																																																																																																																																																																																																																																																																																																																																																																																																																																																																								
	156 PLC ± .0785	S. WELDON	22MAY2003	S. HEADER																																																																																																																																																																																																																																																																																																																																																																																																																																																																																																																																																																																																																																																																																																																																																																																																																																																																																																																								
	157 PLC ± .0790	S. WELDON	22MAY2003	S. HEADER																																																																																																																																																																																																																																																																																																																																																																																																																																																																																																																																																																																																																																																																																																																																																																																																																																																																																																																								
	158 PLC ± .0795	S. WELDON	22MAY2003	S. HEADER																																																																																																																																																																																																																																																																																																																																																																																																																																																																																																																																																																																																																																																																																																																																																																																																																																																																																																																								
	159 PLC ± .0800	S. WELDON	22MAY2003	S. HEADER																																																																																																																																																																																																																																																																																																																																																																																																																																																																																																																																																																																																																																																																																																																																																																																																																																																																																																																								
	160 PLC ± .0805	S. WELDON	22MAY2003	S. HEADER																																																																																																																																																																																																																																																																																																																																																																																																																																																																																																																																																																																																																																																																																																																																																																																																																																																																																																																								
	161 PLC ± .0810	S. WELDON	22MAY2003	S. HEADER																																																																																																																																																																																																																																																																																																																																																																																																																																																																																																																																																																																																																																																																																																																																																																																																																																																																																																																								
	162 PLC ± .0815	S. WELDON	22MAY2003	S. HEADER																																																																																																																																																																																																																																																																																																																																																																																																																																																																																																																																																																																																																																																																																																																																																																																																																																																																																																																								
	163 PLC ± .0820	S. WELDON	22MAY2003	S. HEADER																																																																																																																																																																																																																																																																																																																																																																																																																																																																																																																																																																																																																																																																																																																																																																																																																																																																																																																								
	164 PLC ± .0825	S. WELDON	22MAY2003	S. HEADER																																																																																																																																																																																																																																																																																																																																																																																																																																																																																																																																																																																																																																																																																																																																																																																																																																																																																																																								
	165 PLC ± .0830	S. WELDON	22MAY2003	S. HEADER																																																																																																																																																																																																																																																																																																																																																																																																																																																																																																																																																																																																																																																																																																																																																																																																																																																																																																																								
	166 PLC ± .0835	S. WELDON	22MAY2003	S. HEADER																																																																																																																																																																																																																																																																																																																																																																																																																																																																																																																																																																																																																																																																																																																																																																																																																																																																																																																								
	167 PLC ± .0840	S. WELDON	22MAY2003	S. HEADER																																																																																																																																																																																																																																																																																																																																																																																																																																																																																																																																																																																																																																																																																																																																																																																																																																																																																																																								
	168 PLC ± .0845	S. WELDON	22MAY2003	S. HEADER																																																																																																																																																																																																																																																																																																																																																																																																																																																																																																																																																																																																																																																																																																																																																																																																																																																																																																																								
	169 PLC ± .0850	S. WELDON	22MAY2003	S. HEADER																																																																																																																																																																																																																																																																																																																																																																																																																																																																																																																																																																																																																																																																																																																																																																																																																																																																																																																								
	170 PLC ± .0855	S. WELDON	22MAY2003	S. HEADER																																																																																																																																																																																																																																																																																																																																																																																																																																																																																																																																																																																																																																																																																																																																																																																																																																																																																																																								
	171 PLC ± .0860	S. WELDON	22MAY2003	S. HEADER																																																																																																																																																																																																																																																																																																																																																																																																																																																																																																																																																																																																																																																																																																																																																																																																																																																																																																																								
	172 PLC ± .0865	S. WELDON	22MAY2003	S. HEADER																																																																																																																																																																																																																																																																																																																																																																																																																																																																																																																																																																																																																																																																																																																																																																																																																																																																																																																								
	173 PLC ± .0870	S. WELDON	22MAY2003	S. HEADER																																																																																																																																																																																																																																																																																																																																																																																																																																																																																																																																																																																																																																																																																																																																																																																																																																																																																																																								
	174 PLC ± .0875	S. WELDON	22MAY2003	S. HEADER																																																																																																																																																																																																																																																																																																																																																																																																																																																																																																																																																																																																																																																																																																																																																																																																																																																																																																																								
	175 PLC ± .0880	S. WELDON	22MAY2003	S. HEADER																																																																																																																																																																																																																																																																																																																																																																																																																																																																																																																																																																																																																																																																																																																																																																																																																																																																																																																								
	176 PLC ± .0885	S. WELDON	22MAY2003																																																																																																																																																																																																																																																																																																																																																																																																																																																																																																																																																																																																																																																																																																																																																																																																																																																																																																																									