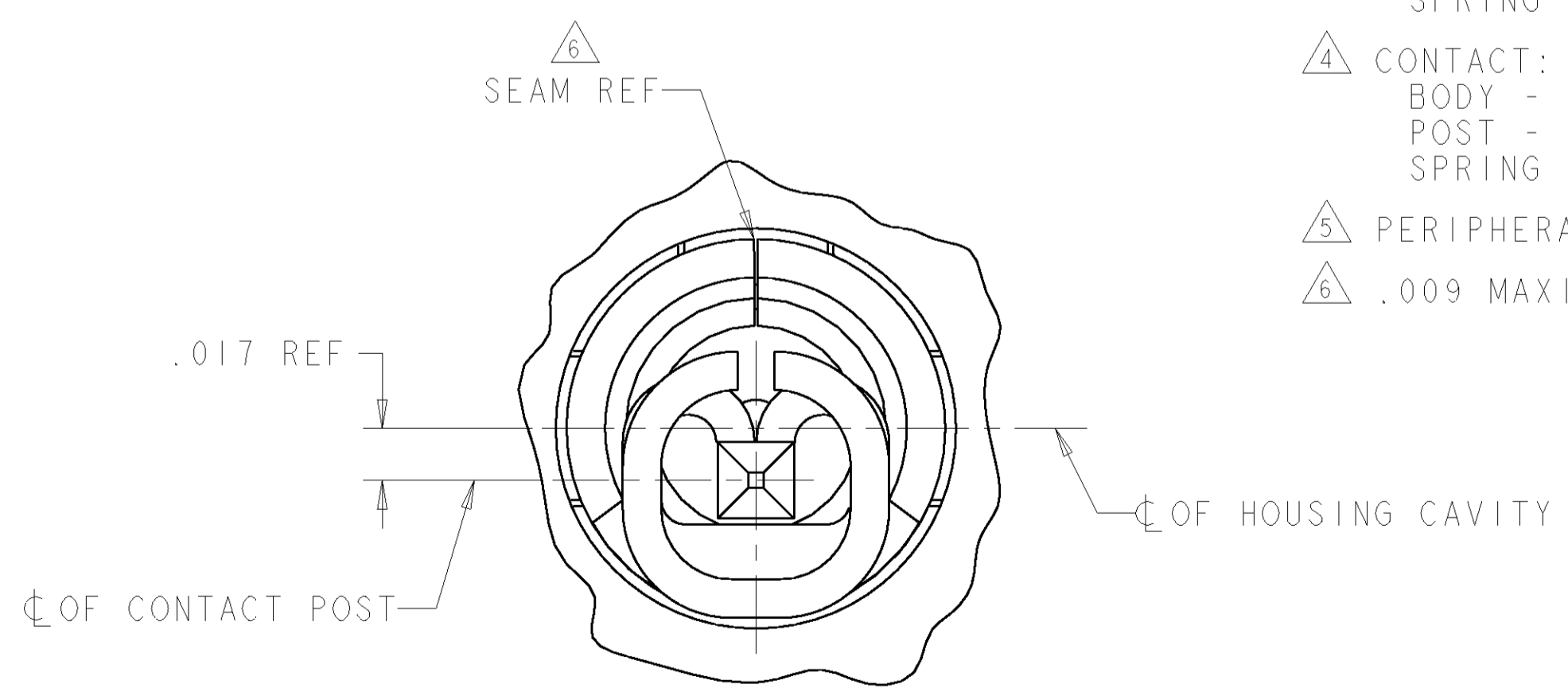
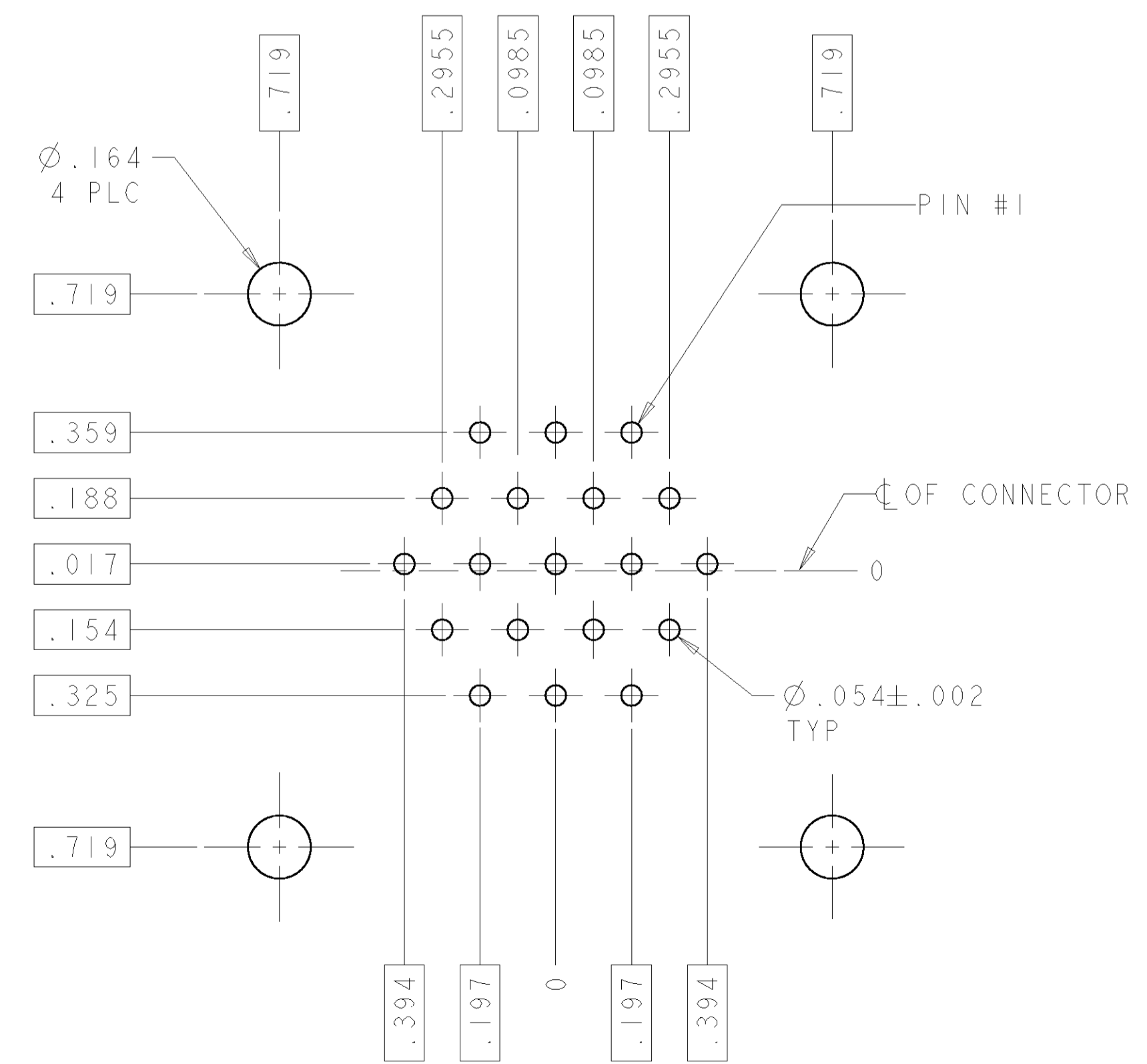
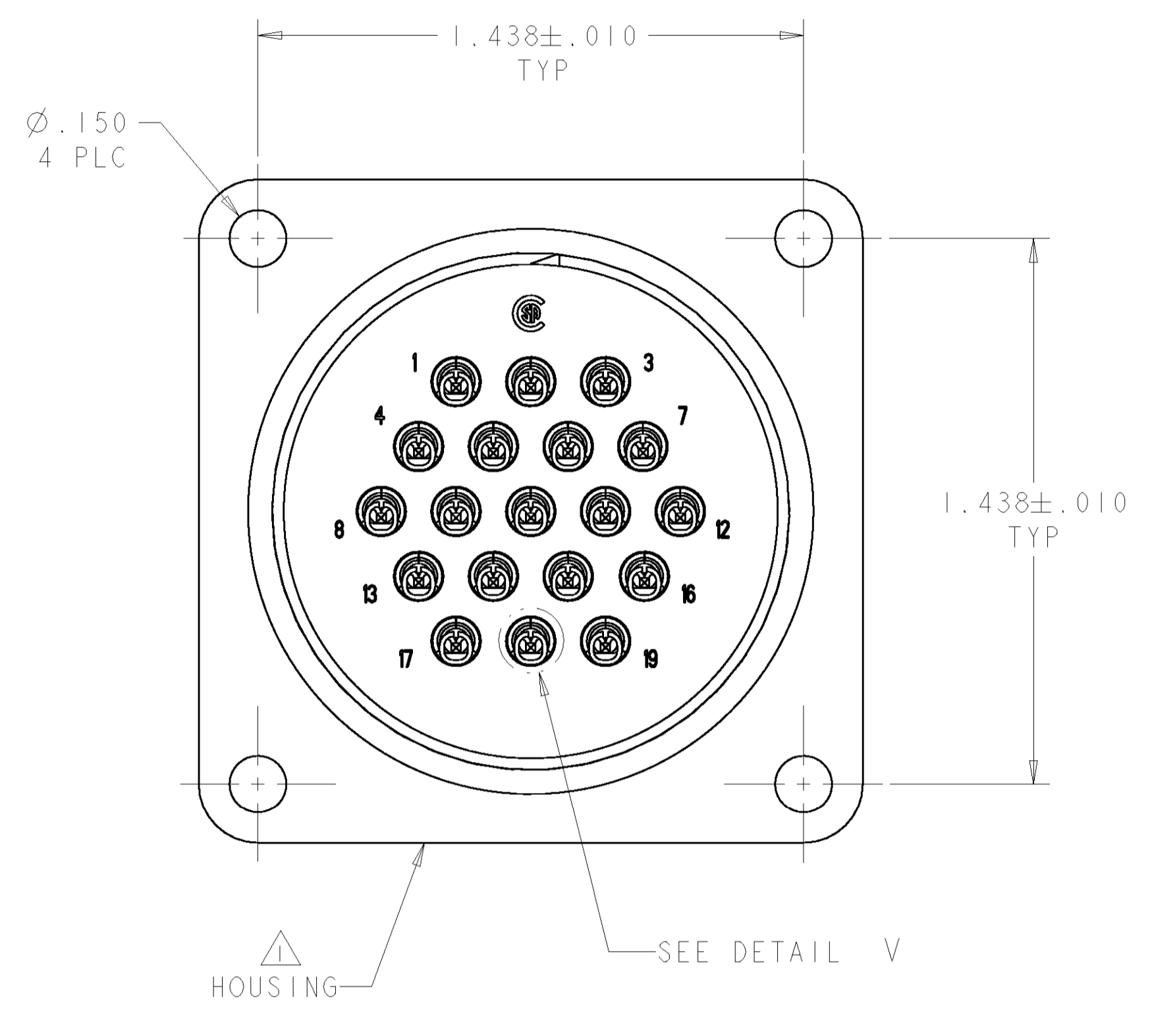
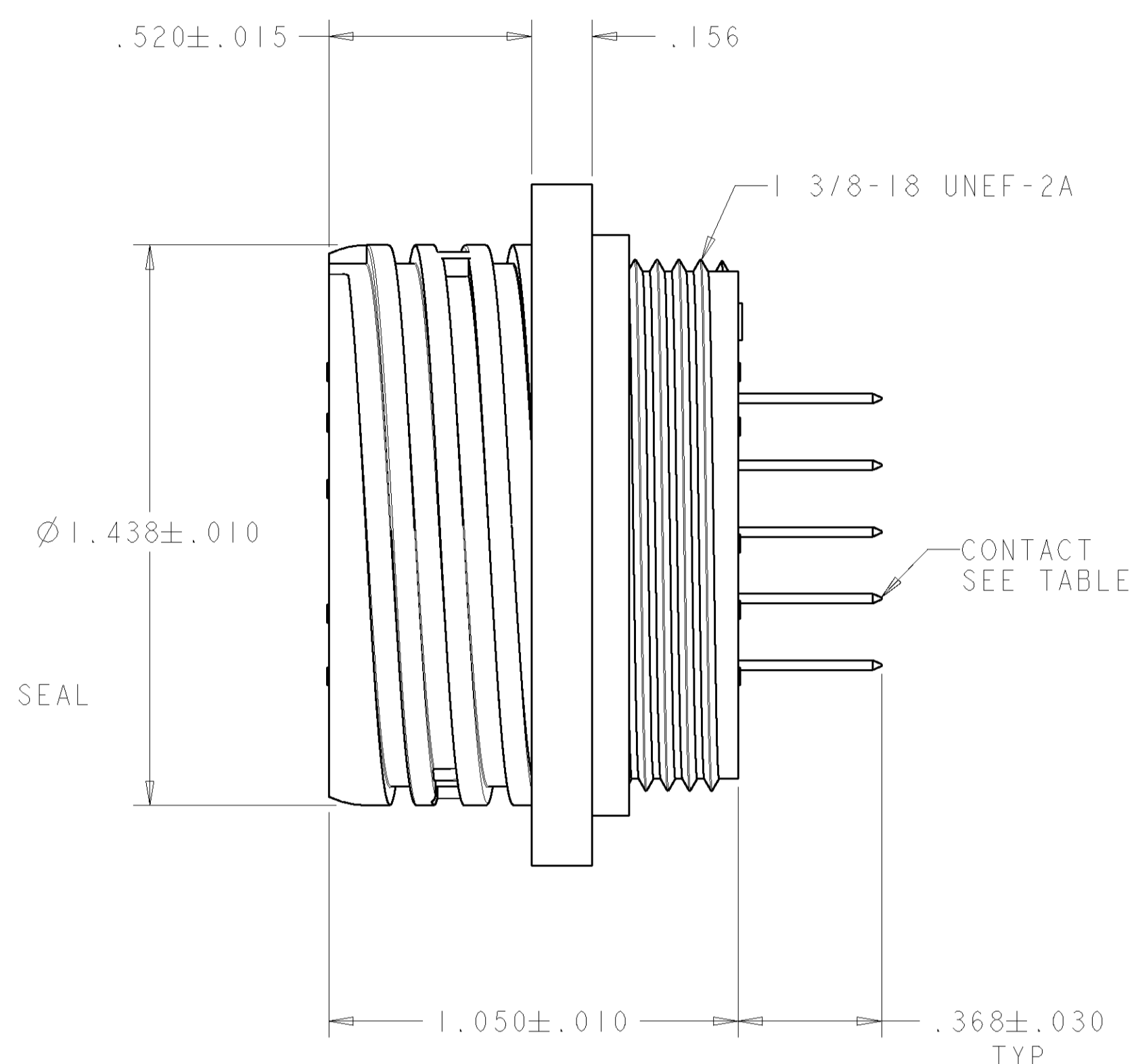
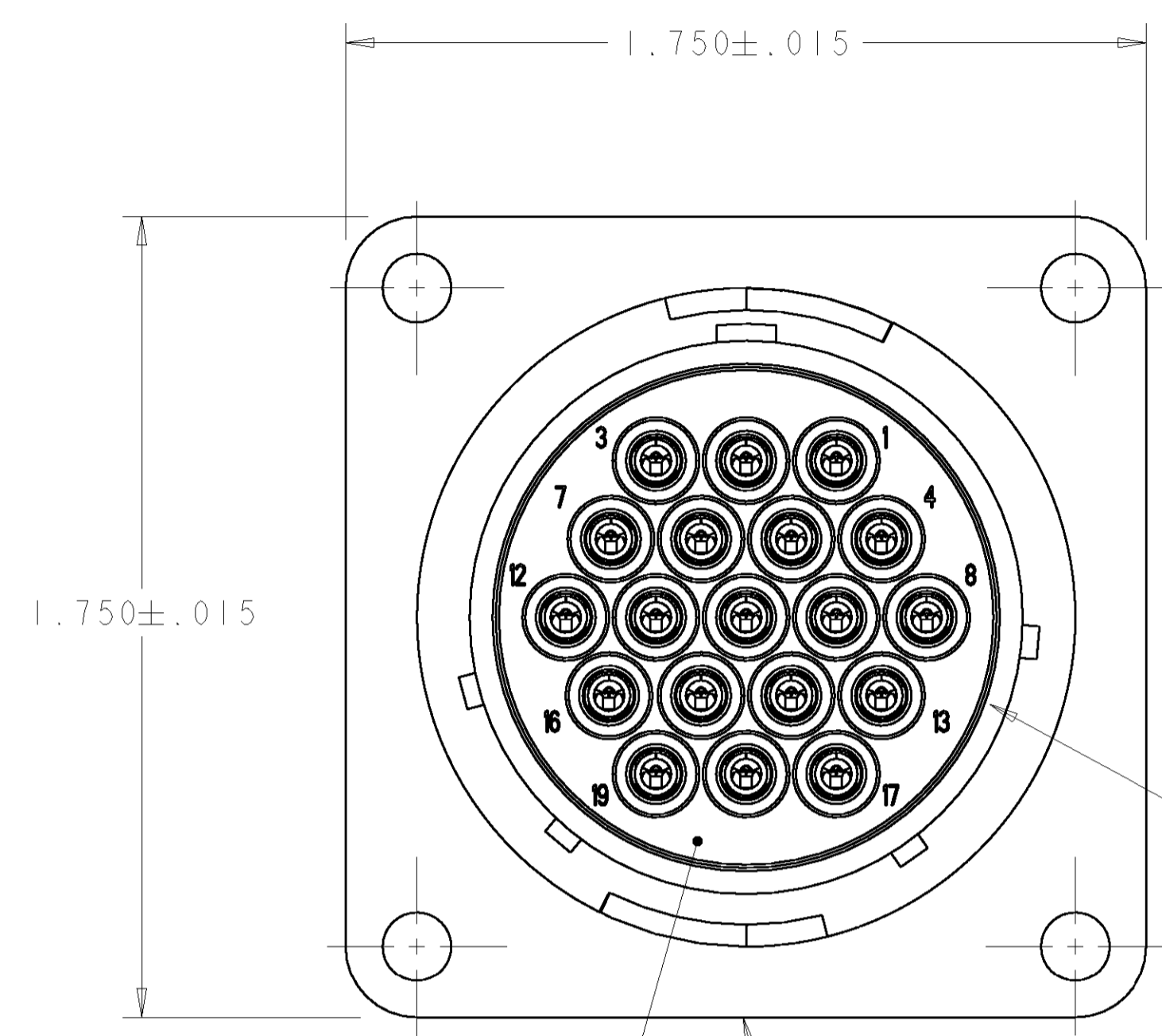


LOC		DIST		REVISIONS			
FT	0	P	LTR	DESCRIPTION	DATE	BY	APPD
		B		REVISED EC 063B-0060-03	21MAY2003	SW	SH
		C		REVISED EC 063B-0214-03	02JUN2003	SW	GS
		D		REVISED EC 063B-0100-05	05MAY2005	SW	SH



- △1 HOUSING: NYLON, UL 94 V-0 RATED, COLOR: BLACK.
- △2 CONTACT:
 BODY - BRASS, .000100 MIN 93/7 TIN-LEAD OVER .000050 MIN NICKEL.
 POST - BRASS, .000100 MIN 93/7 TIN-LEAD OVER .000050 MIN NICKEL.
 SPRING - STAINLESS STEEL.
- △3 CONTACT:
 BODY - BRASS, .000100 MIN 60/40 TIN-LEAD OVER .000050 MIN NICKEL.
 POST - BRASS, .000100 MIN 60/40 TIN-LEAD OVER .000050 MIN NICKEL.
 SPRING - STAINLESS STEEL.
- △4 CONTACT:
 BODY - BRASS, .000100 MIN TIN OVER .000050 MIN NICKEL.
 POST - BRASS, .000100 MIN TIN OVER .000050 MIN NICKEL.
 SPRING - STAINLESS STEEL.
- △5 PERIPHERAL SEAL: ELASTOMER, COLOR: GRAY.
- △6 .009 MAXIMUM CONTACT LEAD-IN SEAM GAP PERMISSIBLE ON MATING FACE END.

RECOMMENDED PC BOARD LAYOUT

PRELIMINARY	△4	YES	1-796126-1
PRELIMINARY	△3	YES	796126-4
	△2	YES	796126-3
	△2	YES	796126-1
CONTACT FINISH			
PERIPHERAL SEAL			
PART NUMBER			

DIMENSIONS: INCHES		TOLERANCES UNLESS OTHERWISE SPECIFIED:		DWN S. WELDON Z1MAY2003		ENR S. HEADER Z1MAY2003		AMP S. HEADER Z1MAY2003		Tyco Electronics Harrisburg, PA 17105-3608	
0 PLC	±	1 PLC	±0.0	PRODUCT SPEC	108-10024	NAME	RECEPTACLE ASSEMBLY, POSTED, REVERSE SEX, SERIES 1, 23-19, CPC				
2 PLC	±0.00	3 PLC	±0.005	APPLICATION SPEC	114-10038	SIZE	CAGE CODE	DRAWING NO	RESTRICTED TO		
4 PLC	±0.000	ANGLES	±	WEIGHT		A1	00779	C=796126	SCALE	3:1	SHEET 1 OF 1
MATERIAL		FINISH		CUSTOMER DRAWING							REV D