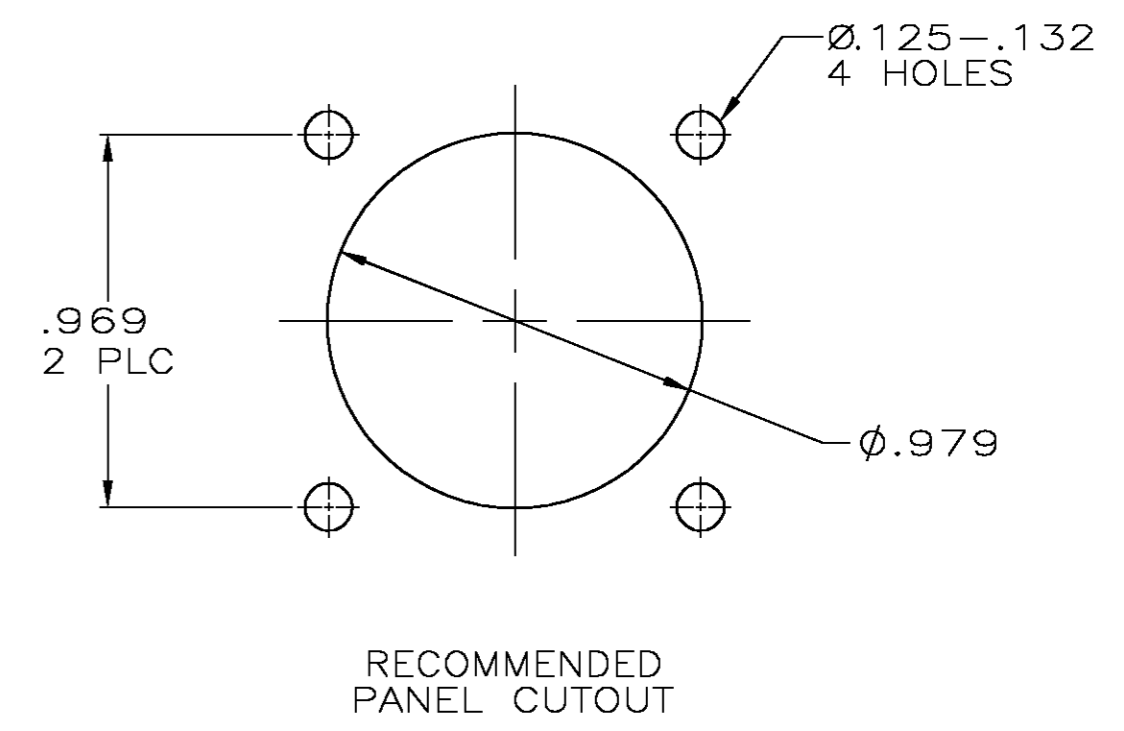
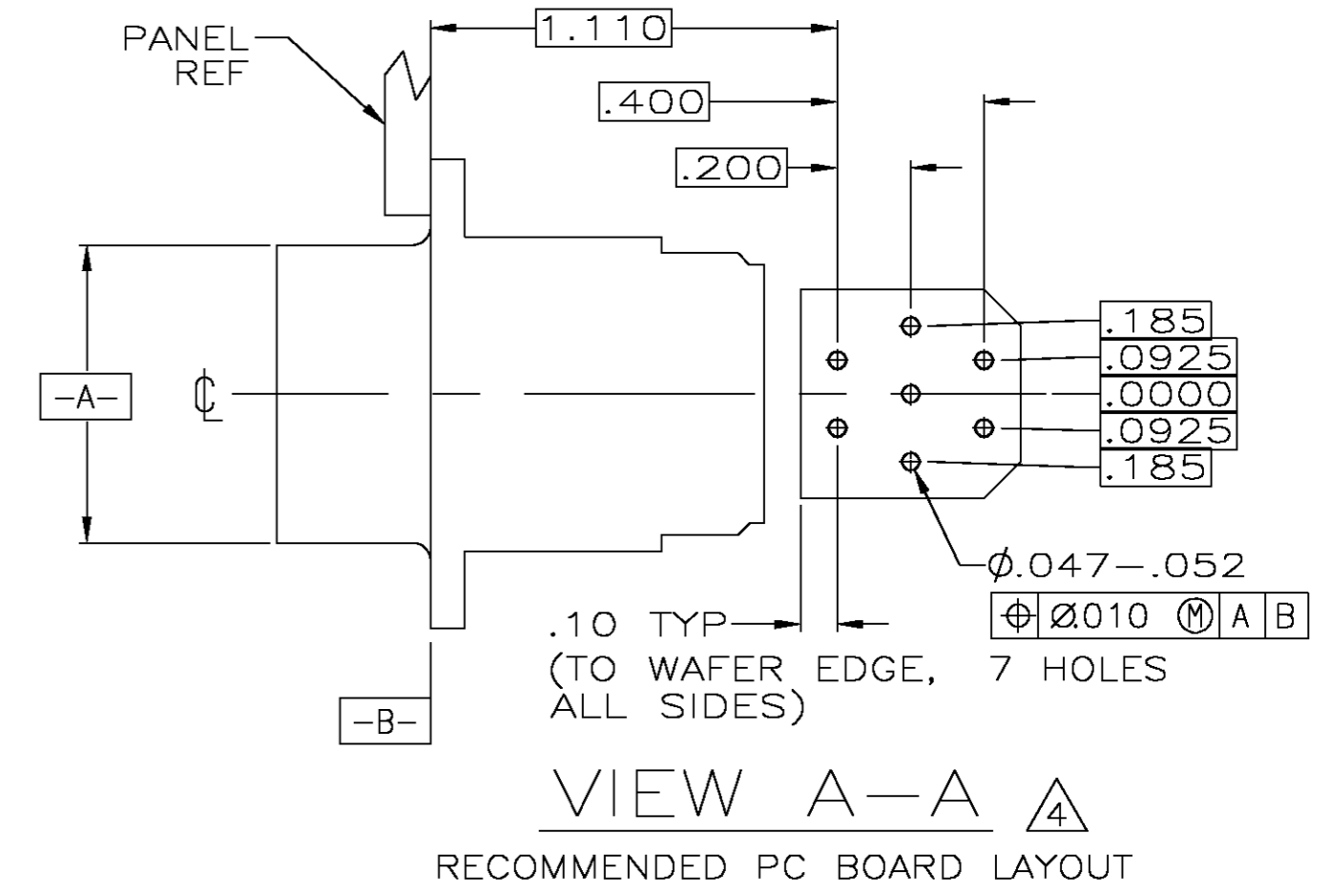
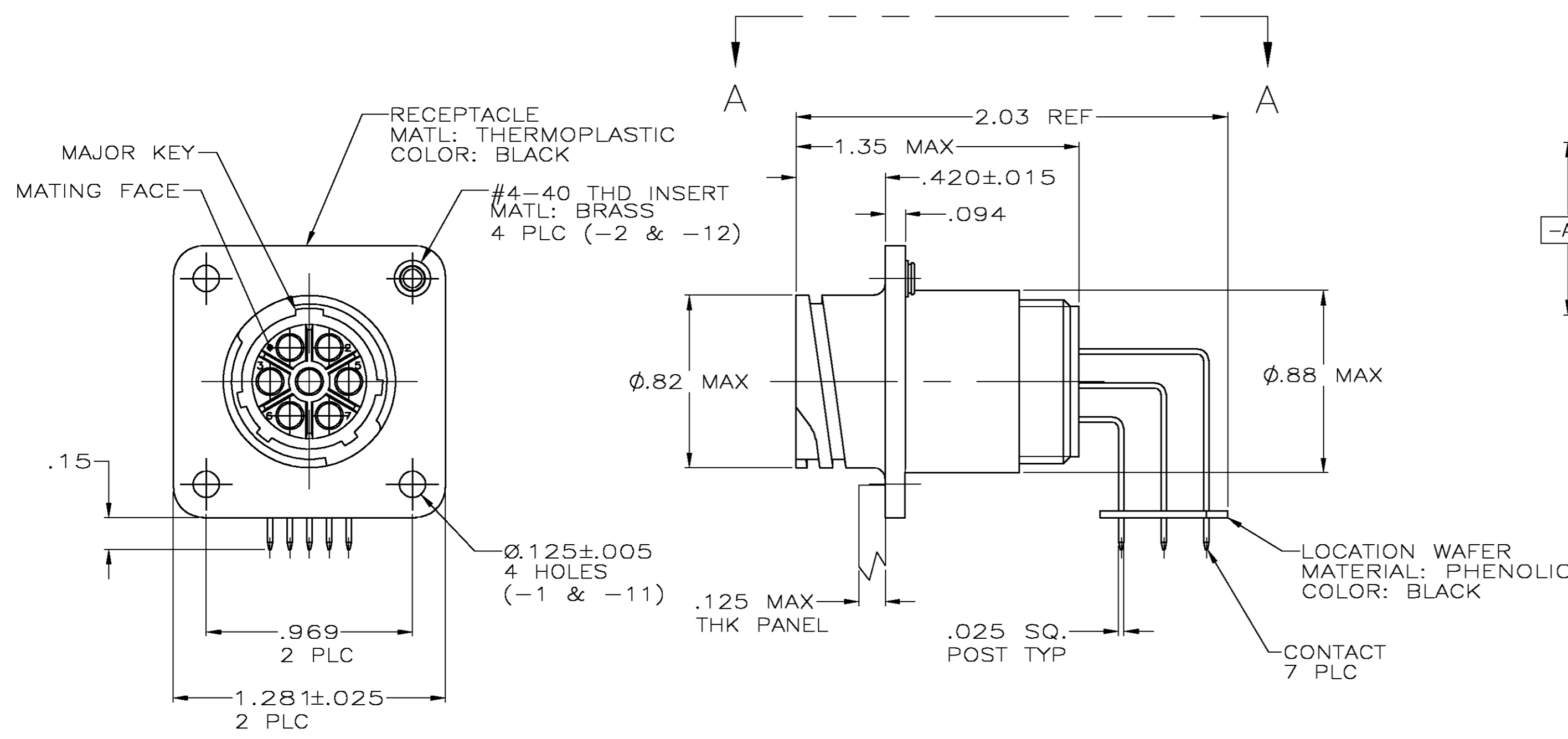


THIS DRAWING IS UNPUBLISHED. RELEASED FOR PUBLICATION  
 © COPYRIGHT BY TYCO ELECTRONICS CORPORATION. ALL RIGHTS RESERVED.

LOC	DIST	REVISIONS			
P	LTR	DESCRIPTION	DATE	DWN	APVD
FT	0	D	REVISED PER 0G3B-0100-05	5/4/05	SS HW



- CONTACT CAVITIES IDENTIFIED BY CHARACTERS ON FRONT AND REAR FACES OF CONNECTOR.
- #4 FASTENER RECOMMENDED FOR -1 MOUNTING.  
#4 FASTENER REQUIRED FOR -2 MOUNTING.
- CONTACT BODY: .000030 MIN GOLD FOR A LENGTH OF .250 MIN FROM MATING END, WITH REMAINDER TO BE GOLD FLASH, BOTH OVER .000050 MIN NICKEL.  
CONTACT POST: .000100 MIN TIN-LEAD OVER .000100 MIN COPPER.
- PC BOARD HOLE PATTERN IS DEFINED RELATIVE TO CONNECTOR C.L. AND PANEL MOUNTING FACE INDICATED.
- CONTACT BODY: .000030 MIN GOLD FOR A LENGTH OF .250 MIN FROM MATING END, WITH REMAINDER TO BE GOLD FLASH, BOTH OVER .000050 MIN NICKEL.  
CONTACT POST: .000100 MIN TIN OVER .000100 MIN COPPER.

CONTACT FINISH	CONFIG.	PART NUMBER
5	W/INSERTS	1-796435-2
5	W/O INSERTS	1-796435-1
3	W/INSERTS	796435-2
3	W/O INSERTS	796435-1

THIS DRAWING IS A CONTROLLED DOCUMENT.		DWN HAMMER 2-19-00	Tyco Electronics Corporation Harrisburg, Pa 17105-3608	
DIMENSIONS: INCHES		CHK M.CHACKO 2-23-00	NAME RECEPTACLE ASSY, POSTED, RT ANGLE, STD SEX, SIZE 13-7, SERIES 1, CPC	
TOLERANCES UNLESS OTHERWISE SPECIFIED:		APVD M.CHACKO 2-23-00	SIZE A2	
0 PLC ± -		PRODUCT SPEC	CAGE CODE 00779	DRAWING NO 796435
1 PLC ± -		APPLICATION SPEC	RESTRICTED TO	
2 PLC ± .03		WEIGHT	SCALE 2:1	SHEET 1 OF 1
3 PLC ± .010		CUSTOMER DRAWING	REV D	
4 PLC ± -				
ANGLES ± -				
FINISH				