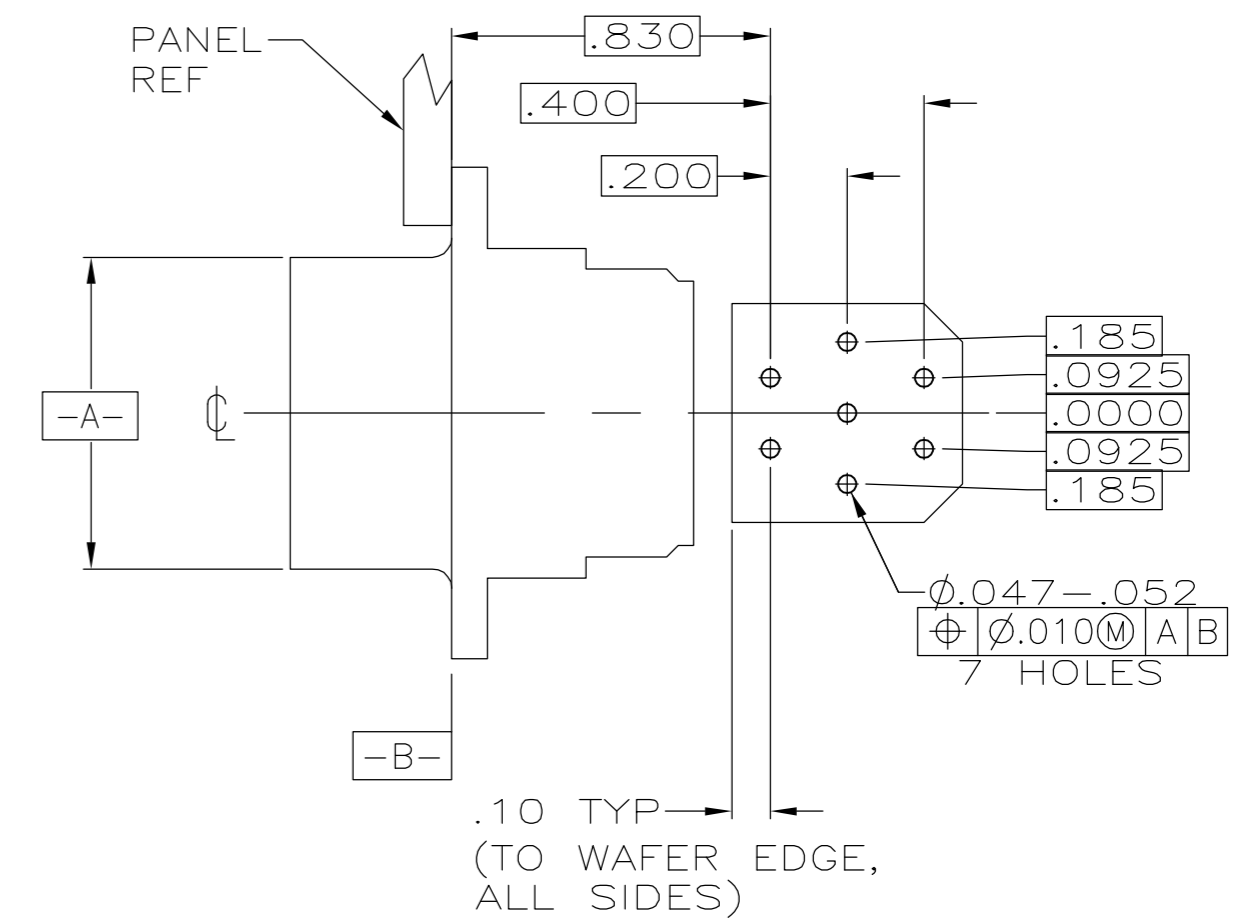
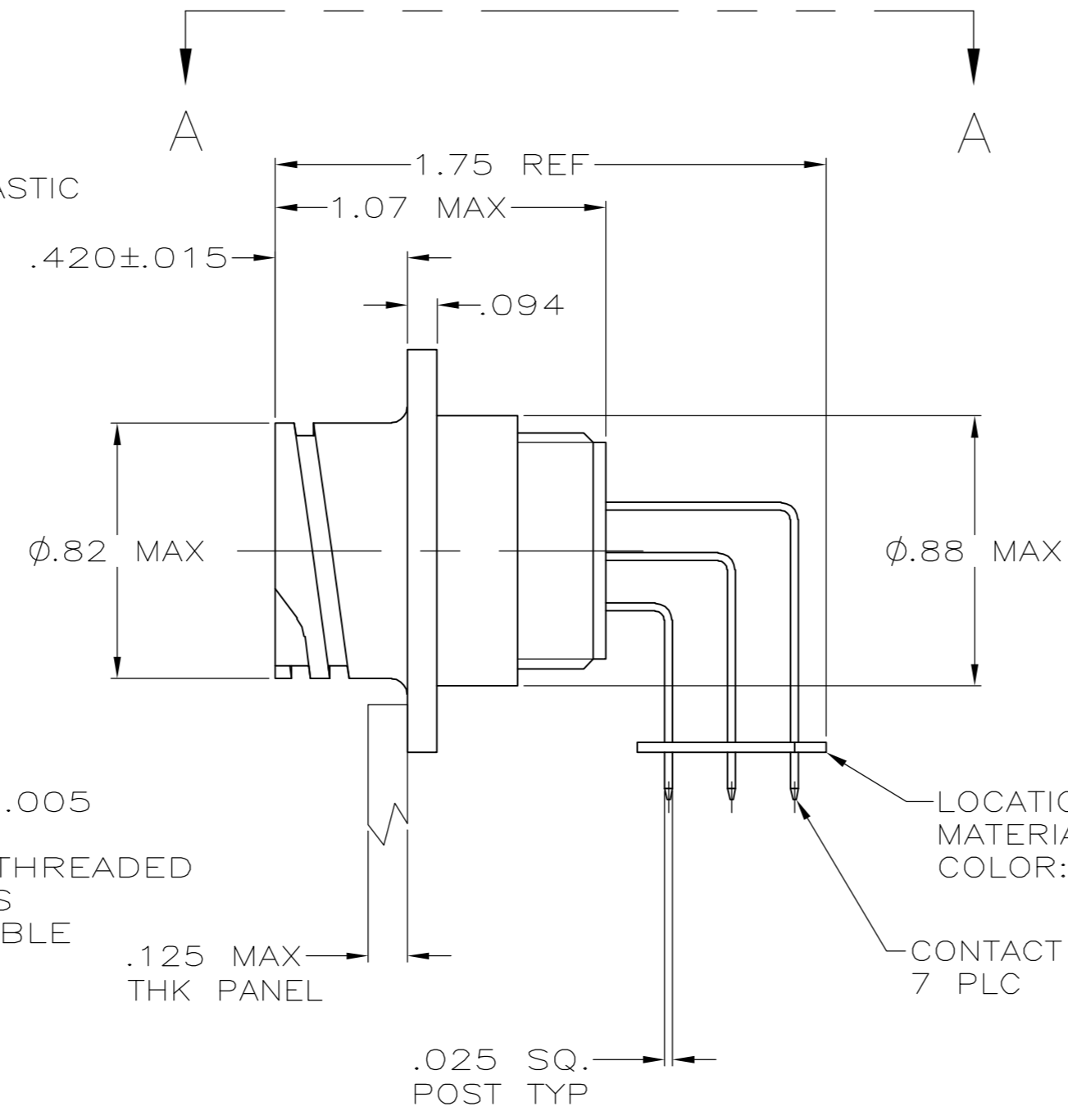
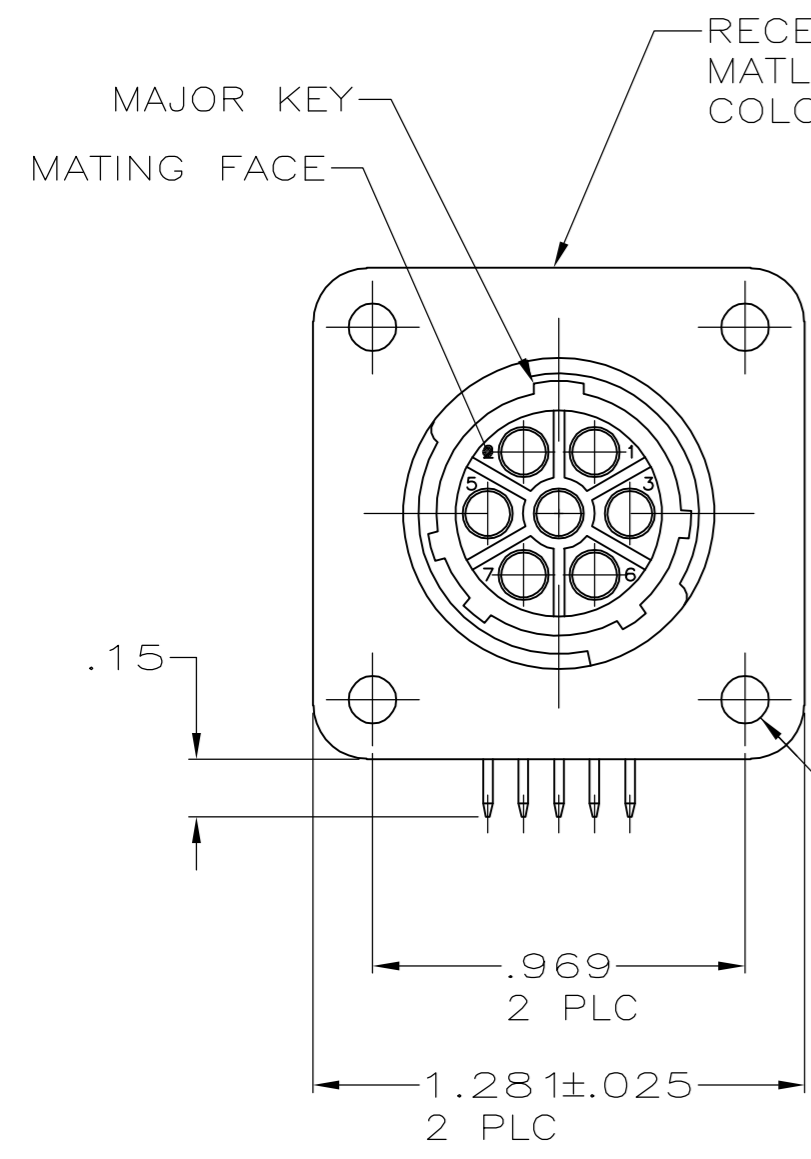
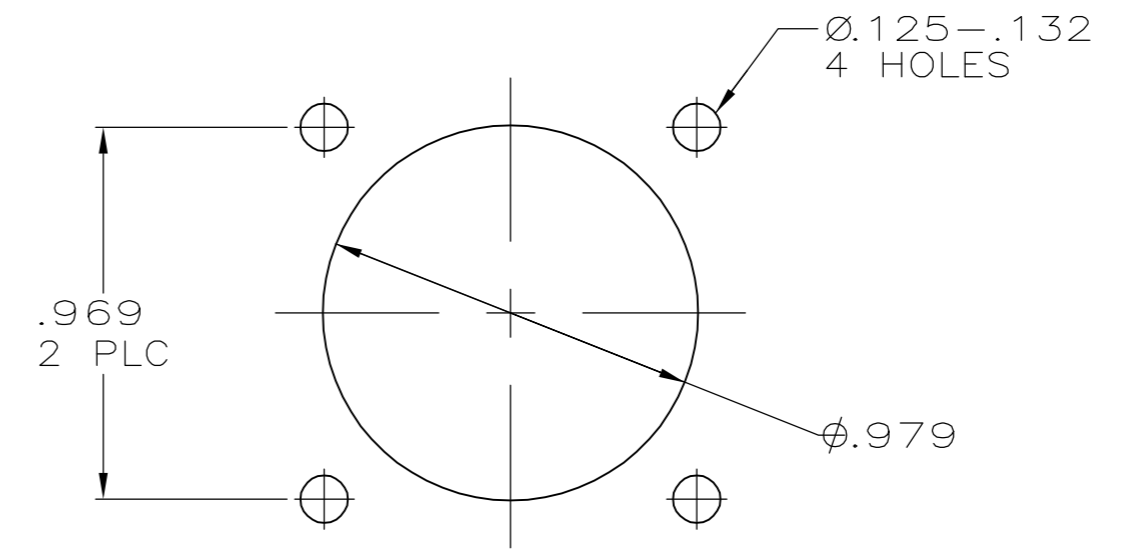


THIS DRAWING IS UNPUBLISHED. RELEASED FOR PUBLICATION
 © COPYRIGHT BY TYCO ELECTRONICS CORPORATION. ALL RIGHTS RESERVED.

LOC		DIST		REVISIONS			
P	LTR	DESCRIPTION	DATE	DWN	APVD		
FT	0						
	C	REVISED PER ECO-06-10652	5/8/06	SS	SH		



VIEW A-A
 RECOMMENDED BOARD LAYOUT



RECOMMENDED PANEL CUTOUT

- CONTACT CAVITIES IDENTIFIED BY CHARACTERS ON FRONT AND REAR FACES OF CONNECTOR.
- #4 FASTENER RECOMMENDED FOR MOUNTING.
- CONTACT BODY: .000030 MIN GOLD FOR A LENGTH OF .200 MIN FROM MATING END, WITH REMAINDER TO BE GOLD FLASH, BOTH OVER .000050 MIN NICKEL.
CONTACT POST: .000100 MIN TIN-LEAD OVER .000100 MIN COPPER.
- PC BOARD HOLE PATTERN IS DEFINED RELATIVE TO CONNECTOR C.L. AND PANEL MOUNTING FACE INDICATED.
- CONTACT BODY: .000030 MIN GOLD FOR A LENGTH OF .200 MIN FROM MATING END, WITH REMAINDER TO BE GOLD FLASH, BOTH OVER .000050 MIN NICKEL.
CONTACT POST: .000100 MIN TIN OVER .000100 MIN COPPER.

THREADED INSERT	CONTACT FINISH	PART NUMBER
NO	5	1-796500-1
YES	5	796500-2
NO	3	796500-1

THIS DRAWING IS A CONTROLLED DOCUMENT.		DWN HAMNER 4-7-00	Tyco Electronics Corporation	
DIMENSIONS: INCHES		CHK M.CHACKO 4-10-00	Harrisburg, Pa 17105-3608	
TOLERANCES UNLESS OTHERWISE SPECIFIED:		APVD M.CHACKO 4-10-00	NAME	
0 PLC ± -		PRODUCT SPEC	RECEPTACLE ASSY, POSTED, RT ANGLE, RVS SEX, SIZE 13-7, SERIES 1, CPC	
1 PLC ± -		APPLICATION SPEC	-	
2 PLC ± .03		WEIGHT -	SIZE A2	CAGE CODE 00779
3 PLC ± .010		CUSTOMER DRAWING	DRAWING NO C=796500	RESTRICTED TO -
4 PLC ± -		SCALE 2:1	SHEET 1 OF 1	REV C
ANGLES ± -				
FINISH -				