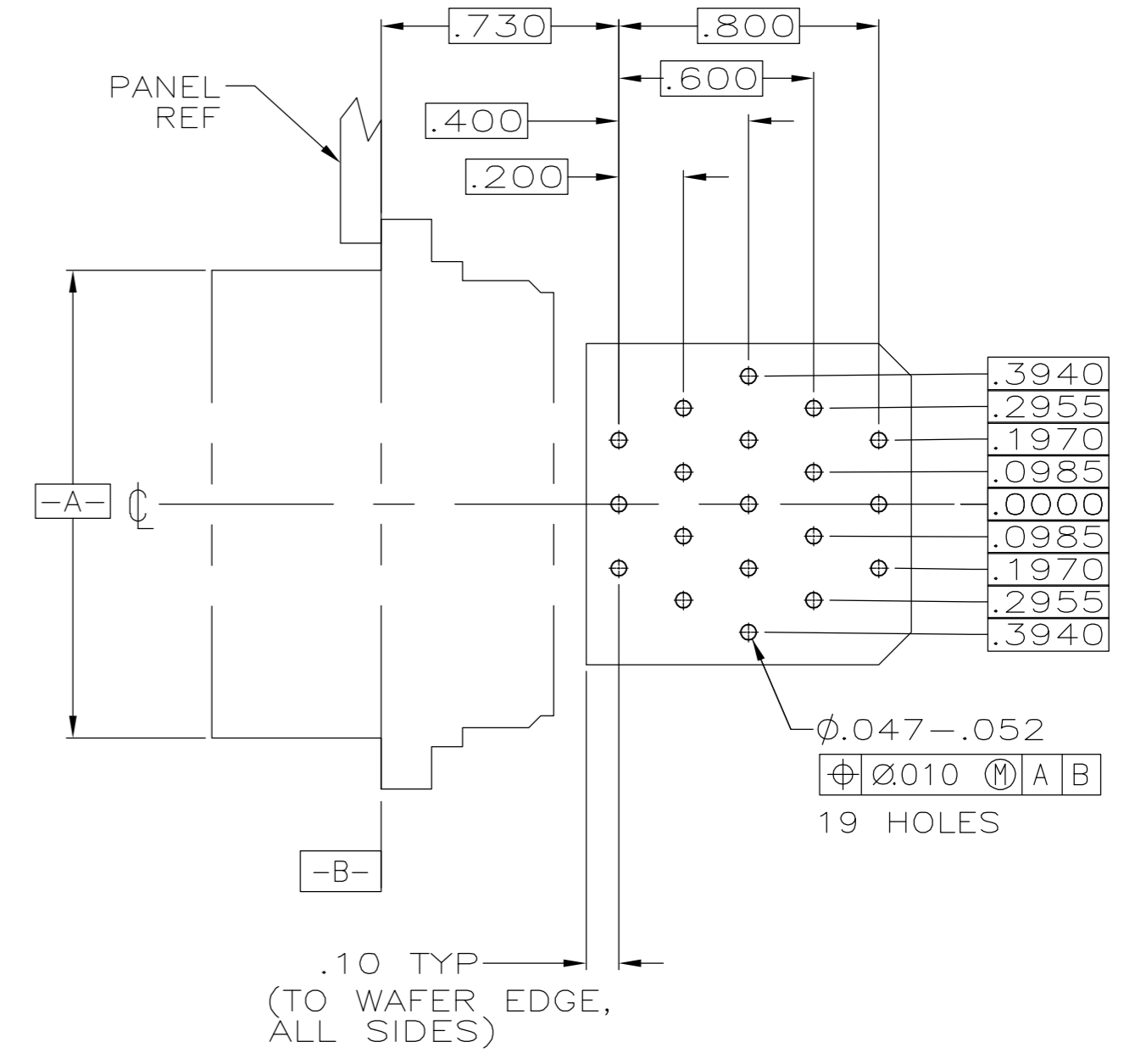
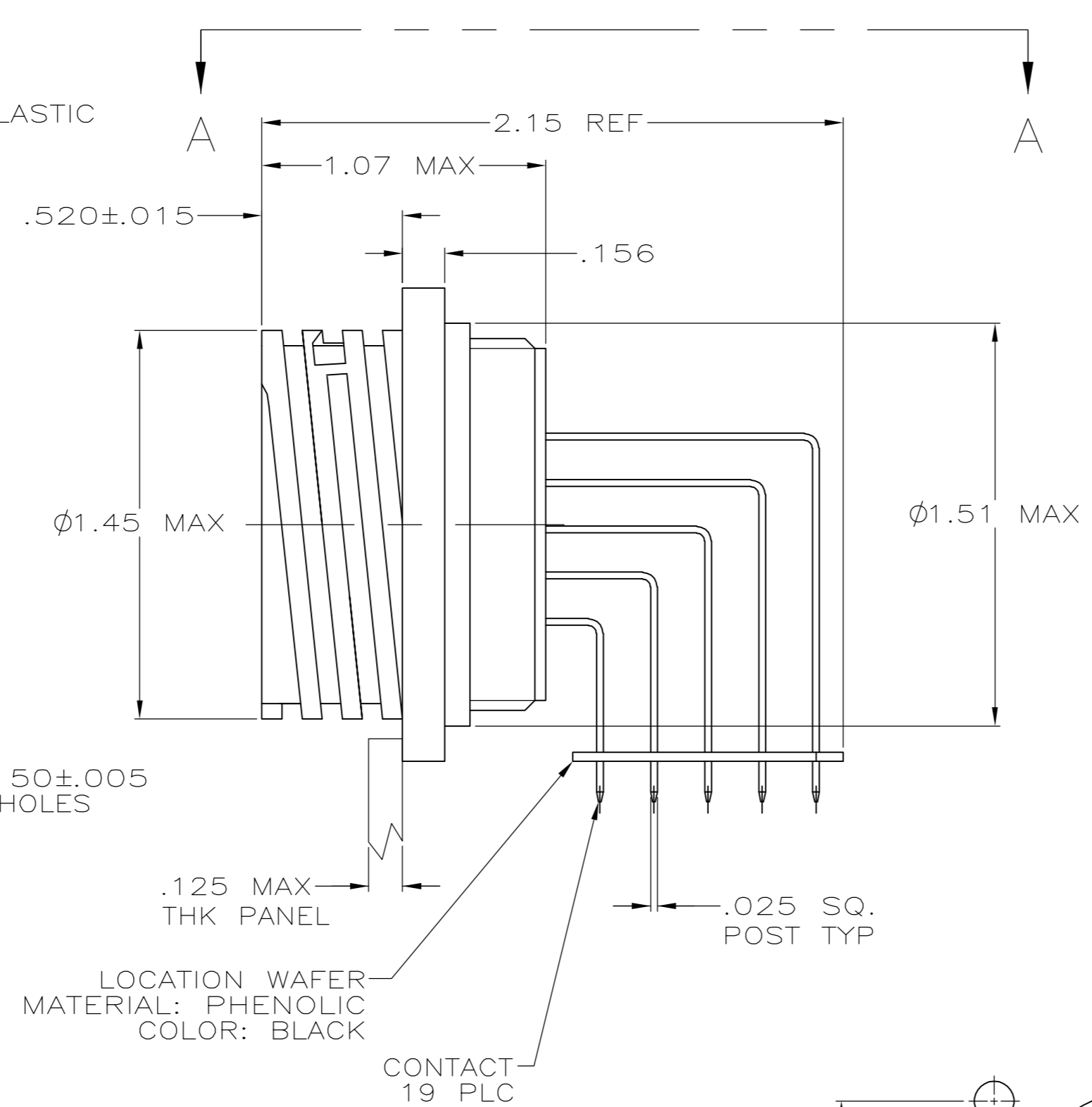
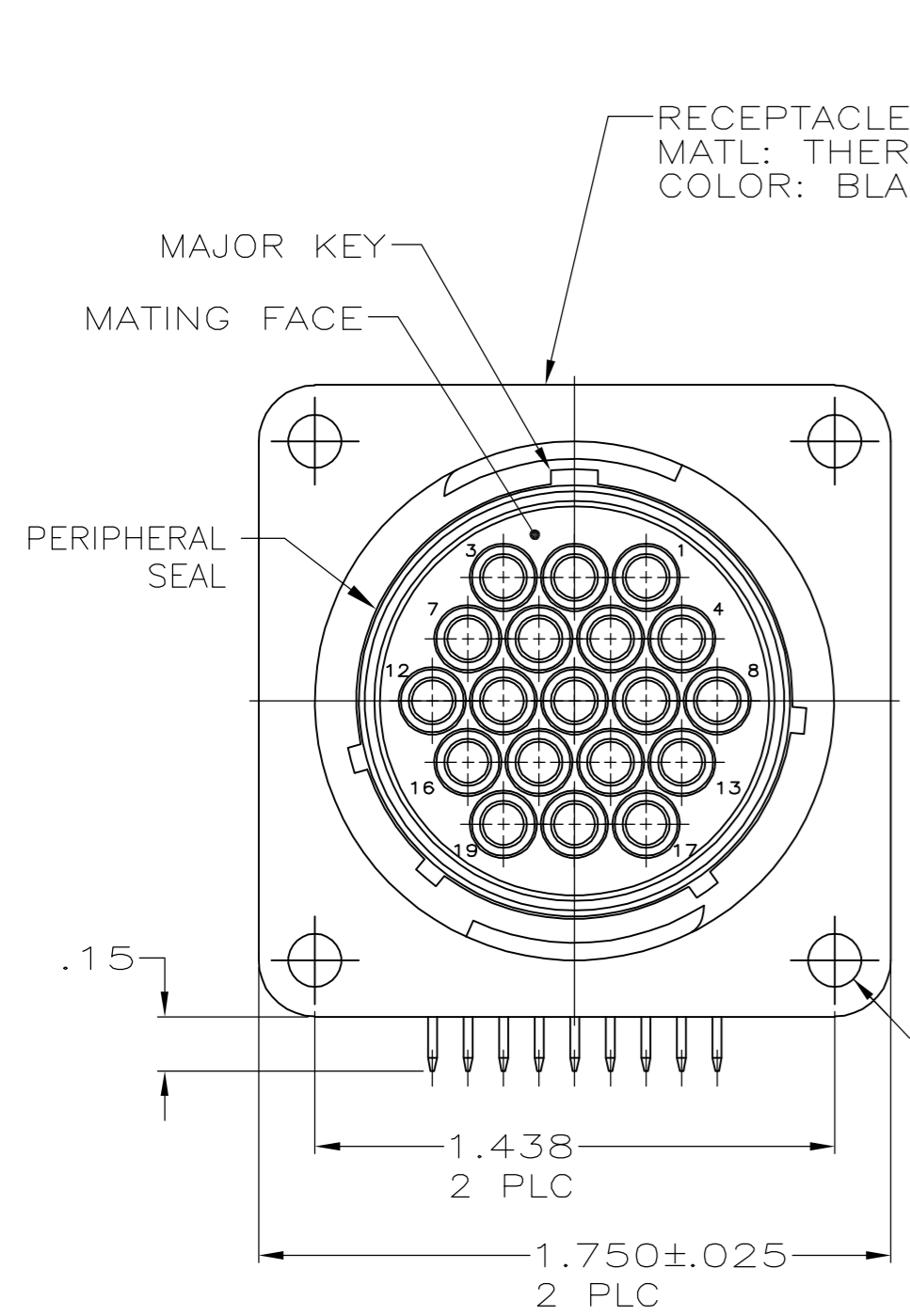
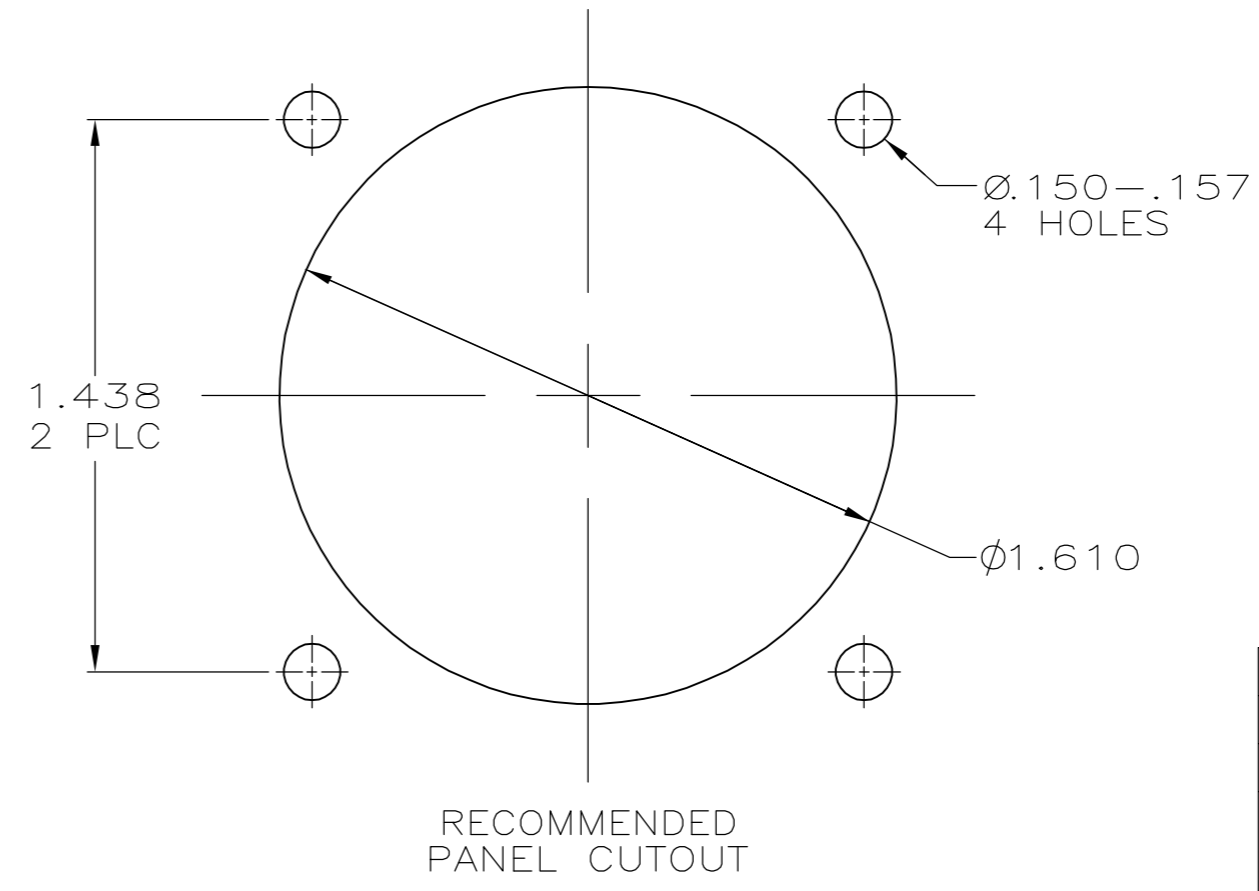


THIS DRAWING IS UNPUBLISHED. RELEASED FOR PUBLICATION
 © COPYRIGHT BY TYCO ELECTRONICS CORPORATION. ALL RIGHTS RESERVED.

LOC		DIST		REVISIONS			
P	LTR	DESCRIPTION		DATE	DWN	APVD	
FT	0	C		REVISED PER ECO-07-007130	3/29/07	SS	SH



VIEW A-A
 RECOMMENDED PC BOARD LAYOUT



- CONTACT CAVITIES IDENTIFIED BY CHARACTERS ON FRONT AND REAR FACES OF CONNECTOR.
- #6 FASTENER RECOMMENDED FOR MOUNTING.
- CONTACT BODY: .000030 MIN GOLD FOR A LENGTH OF .200 MIN FROM MATING END, WITH REMAINDER TO BE GOLD FLASH, BOTH OVER .000050 MIN NICKEL. CONTACT POST: .000100 MIN TIN-LEAD OVER .000100 MIN COPPER.
- PC BOARD HOLE PATTERN IS DEFINED RELATIVE TO CONNECTOR C.L. AND PANEL MOUNTING FACE INDICATED.
- CONTACT BODY: .000030 MIN GOLD FOR A LENGTH OF .200 MIN FROM MATING END, WITH REMAINDER TO BE GOLD FLASH, BOTH OVER .000050 MIN NICKEL. CONTACT POST: .000100 MIN TIN OVER .000100 MIN COPPER.

NO	5	1-796502-1
YES	3	796502-2
NO	3	796502-1
PERIPHERAL SEAL	CONTACT FINISH	PART NUMBER

THIS DRAWING IS A CONTROLLED DOCUMENT.

DWN	HAMNER	4-12-00
CHK	M.CHACKO	4-13-00
APVD	M.CHACKO	4-13-00
PRODUCT SPEC		
APPLICATION SPEC		
WEIGHT		
CUSTOMER DRAWING		

tyco Electronics Tyco Electronics Corporation
 Harrisburg, Pa 17105-3608

NAME: RECEPTACLE ASSY, POSTED, RT ANGLE, RVS SEX, SIZE 23-19, SERIES 1, CPC

SIZE: A2 CAGE CODE: 00779 DRAWING NO: C=796502 RESTRICTED TO: -

SCALE: 2:1 SHEET: 1 OF 1 REV: C

796502