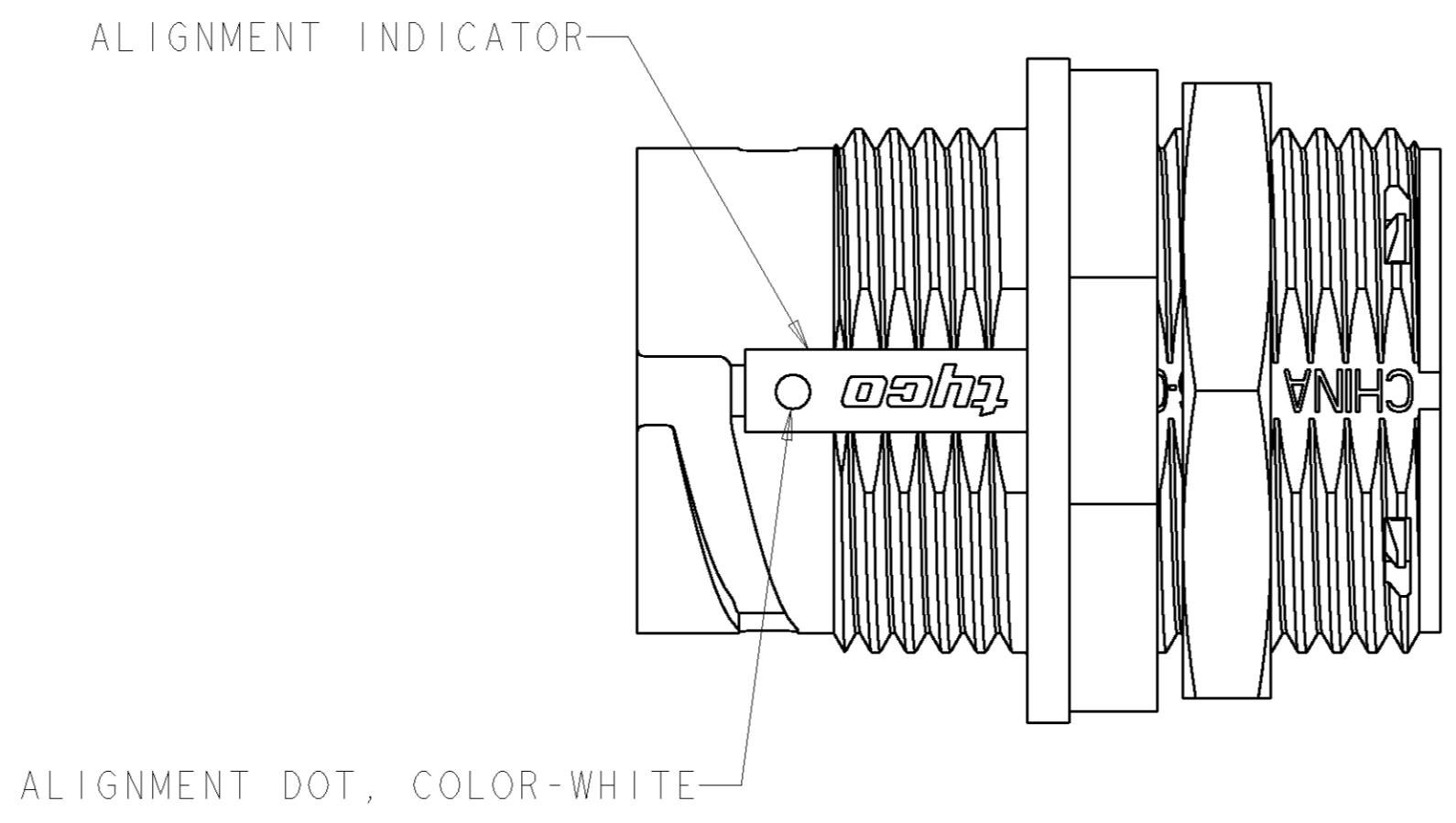
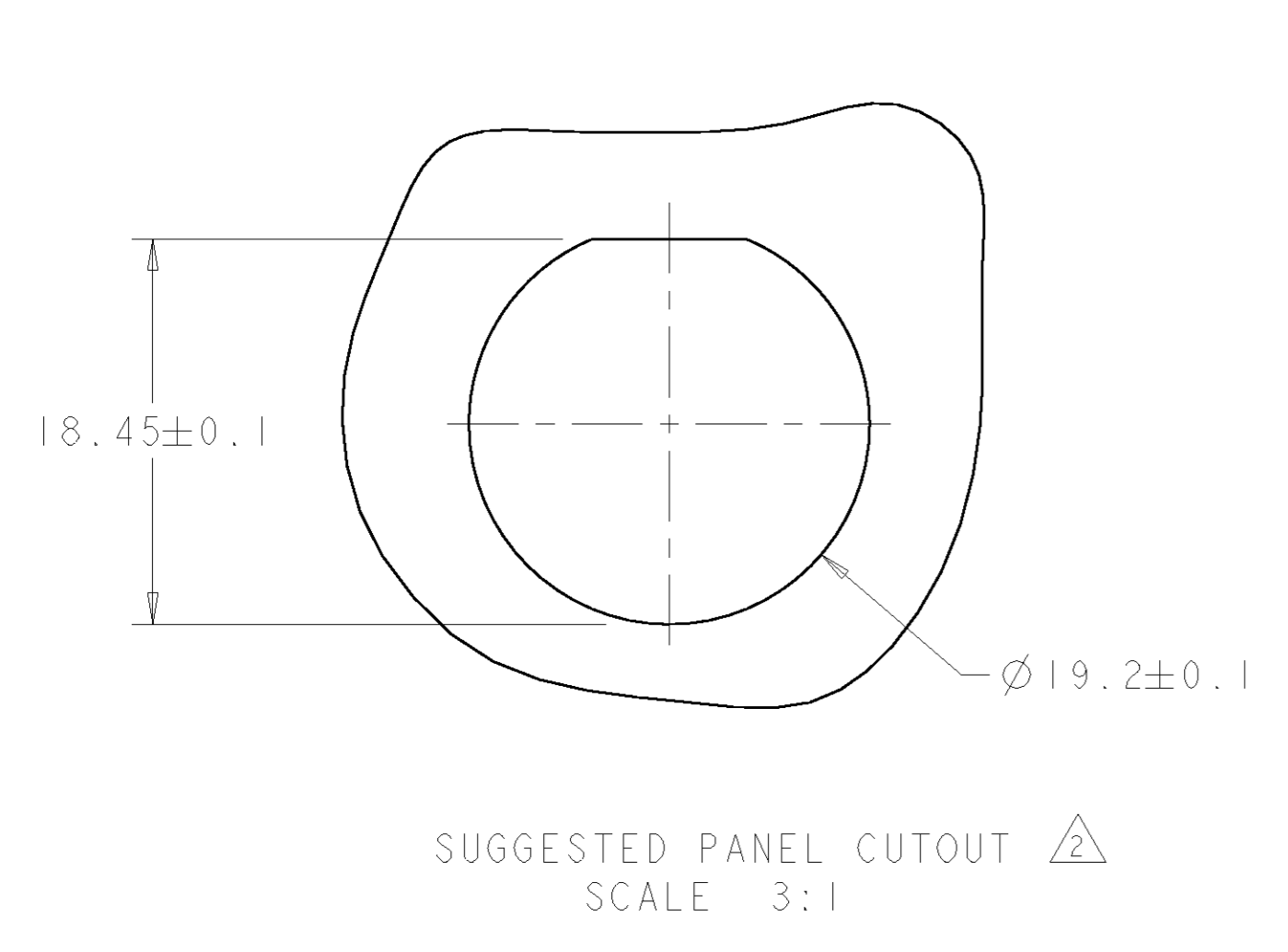
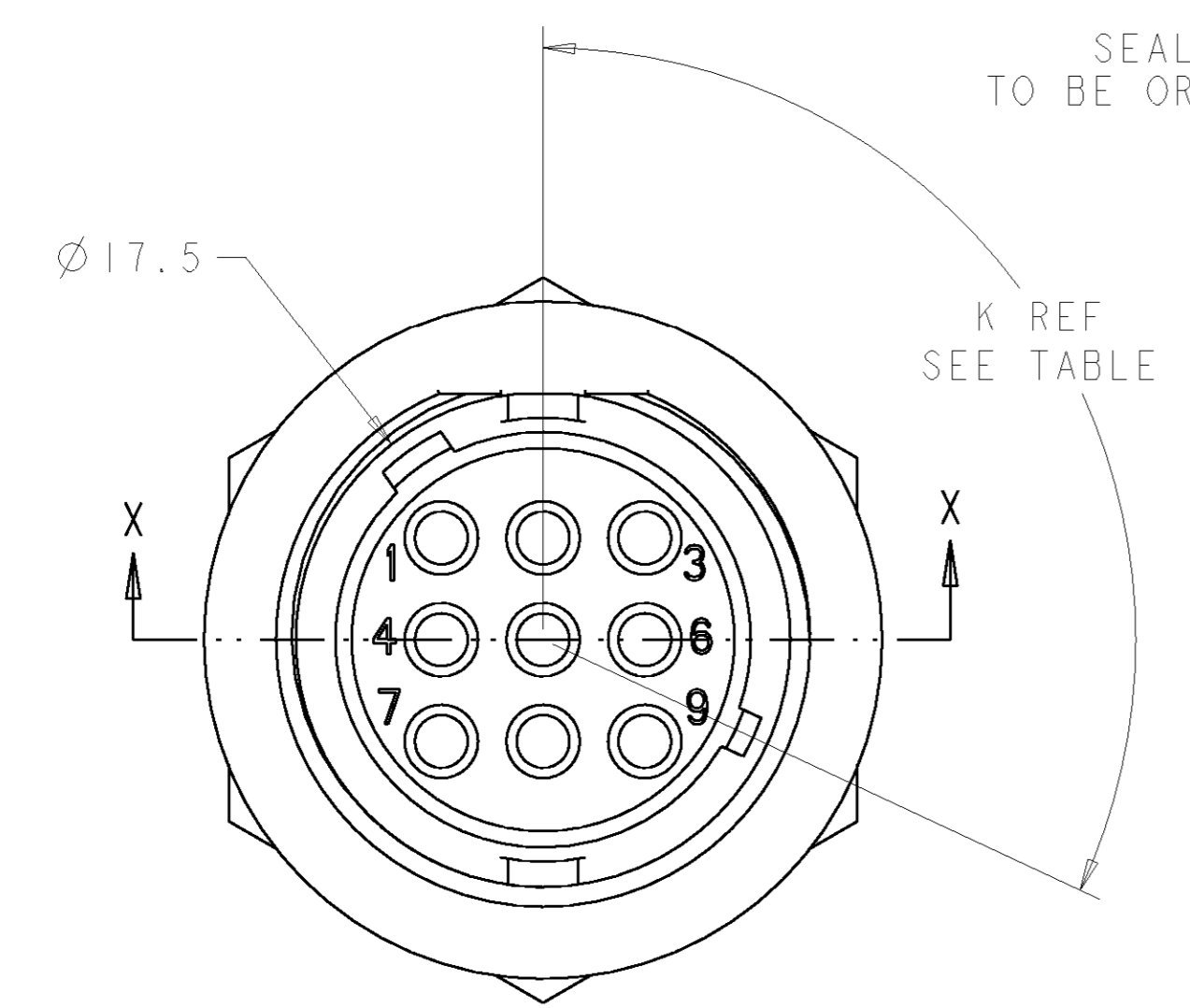


LOC		DIST		REVISIONS			
FT	0	P	LTR	DESCRIPTION	DATE	DWN	APVD
		A		RELEASED EC 0638-0326-03	13JUN2003	SW	HW
		B		REVISED EC 0638-0038-04	23MAR2004	SW	HW
		C		REVISED EC 0638-0390-04	24MAR2004	SW	HW

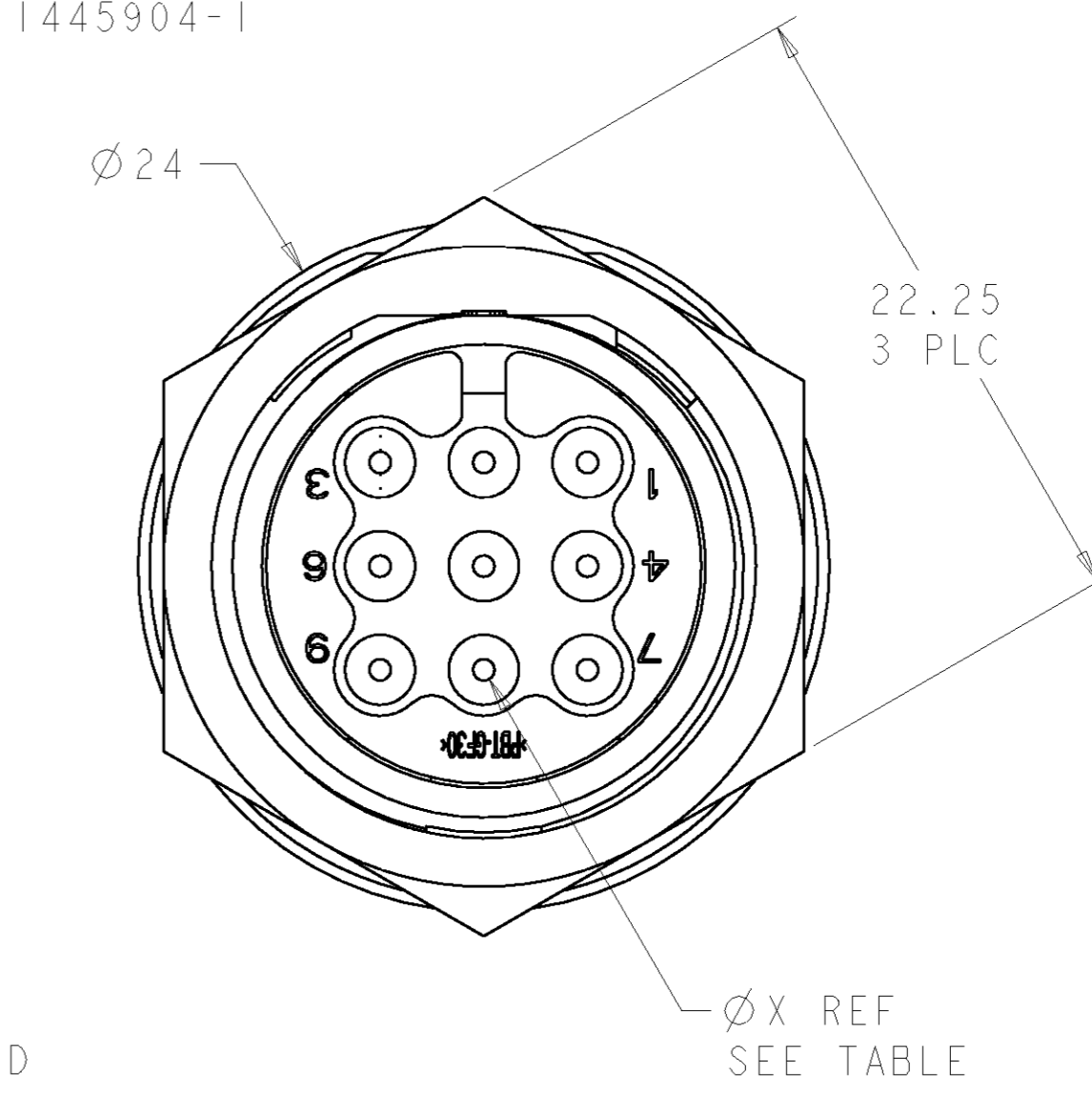
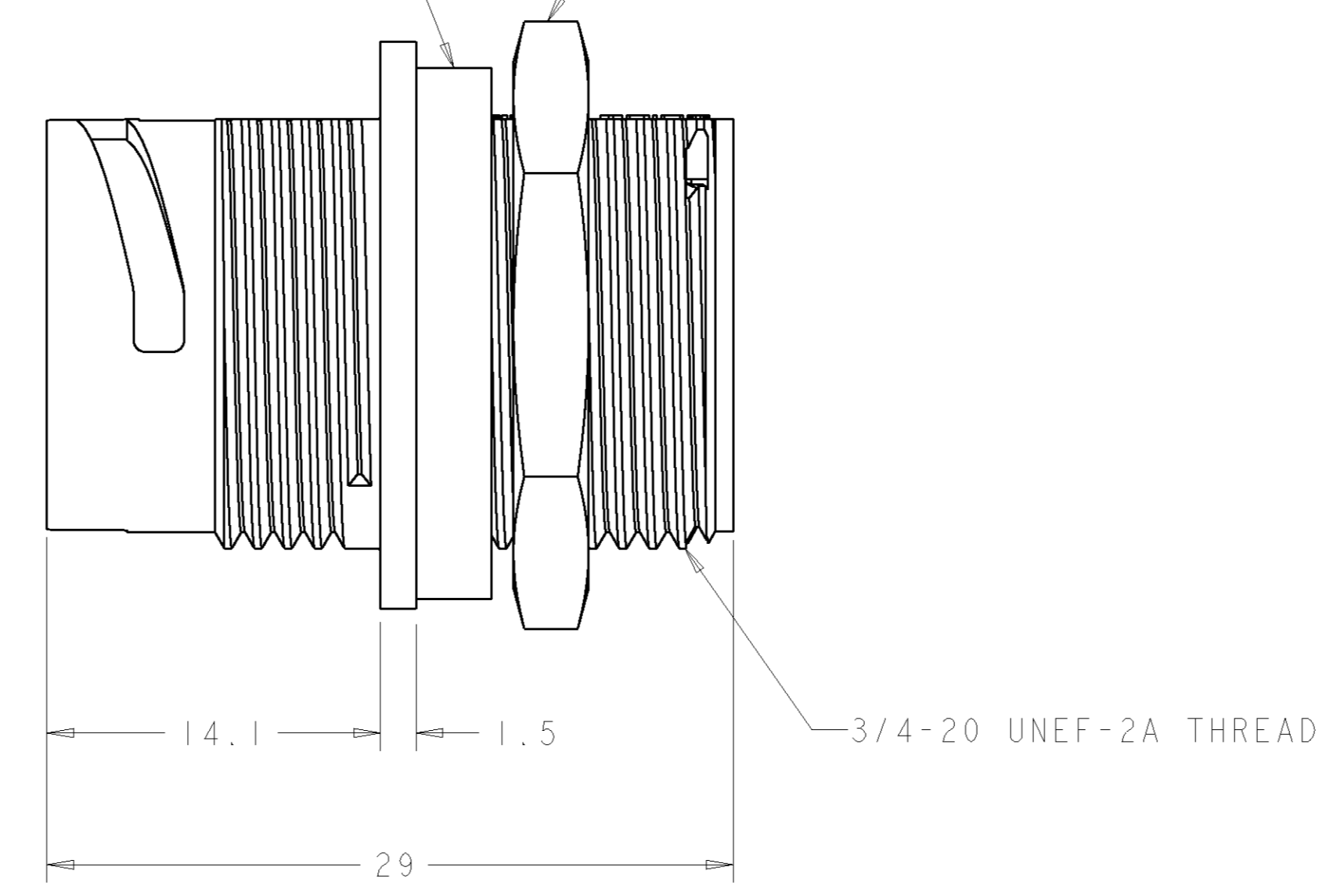


1. CONNECTOR CAN BE FRONT OR REAR PANEL MOUNTED.  
 $\Delta$  MAX PANEL THICKNESS - 3.18

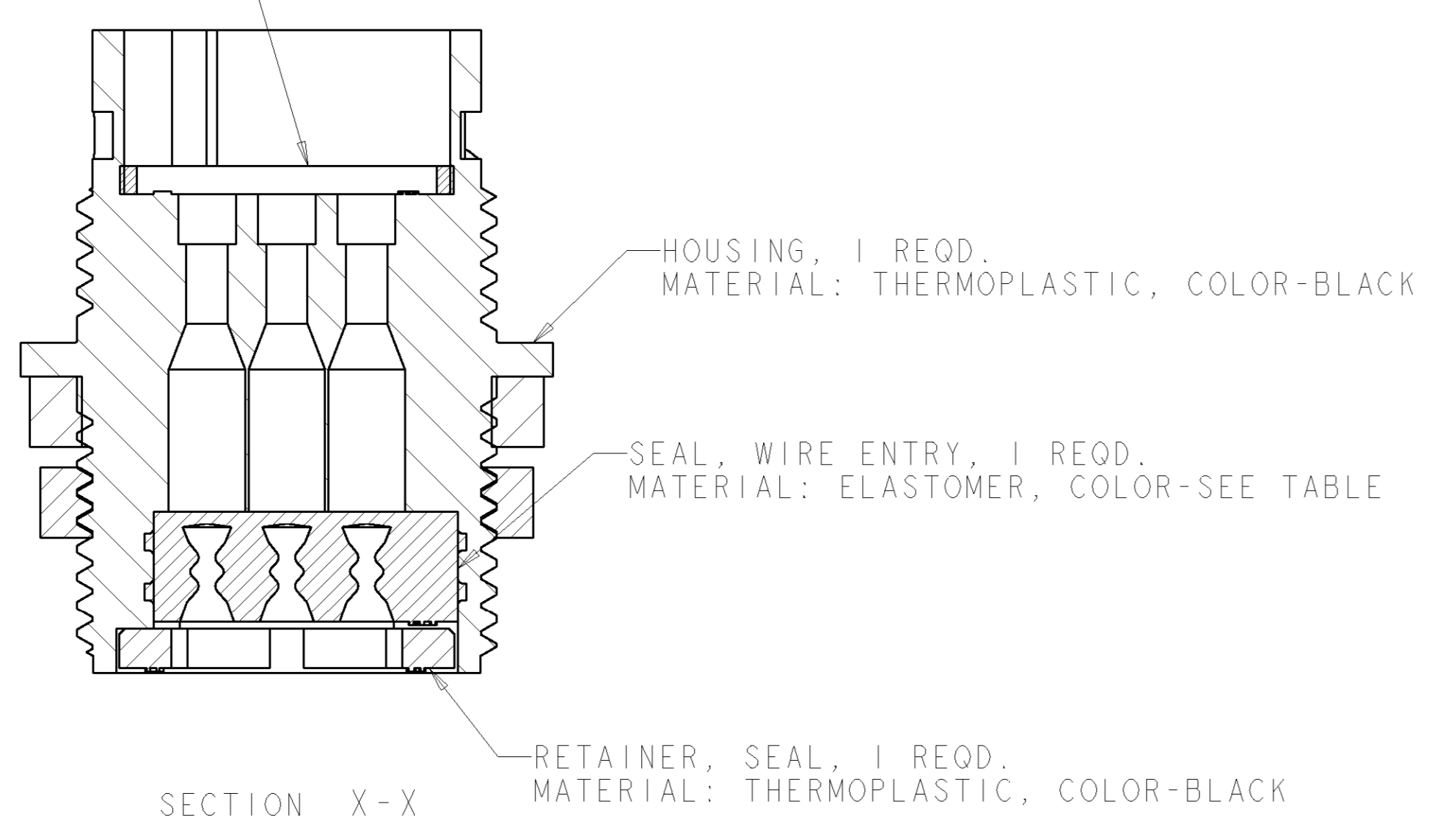


SEAL, PANEL; SHOWN FOR REFERENCE ONLY,  
TO BE ORDERED SEPARATELY, PART #1445420-02

JAM NUT, SHOWN FOR REFERENCE ONLY, TO BE  
ORDERED SEPARATELY, PART # 1445904-1



SEAL, PERIPHERAL, 1 REQD.  
MATERIAL: ELASTOMER, COLOR-GRAY



## QUALIFICATION TEST PENDING

Ø 1.5	135°	B	NATURAL	BROWN	1445816-7
Ø 0.75	135°	B	YELLOW	RED	1445816-4
Ø 1.5	115°	A	NATURAL	BLACK	1445816-3
Ø 1.5	135°	B	NATURAL	RED	1445816-2
Ø 0.75	115°	A	YELLOW	BLACK	1445816-1
Ø X REF	K REF	KEYING CODE	WIRE ENTRY SEAL COLOR	HOUSING COLOR	PART NUMBER

DIMENSIONS: mm		TOLERANCES UNLESS OTHERWISE SPECIFIED: 9 PLC ± 1 PLC ±0.13 3 PLC ± 4 PLC ± ANGLES ±		DWN SHANE WIESE 12OCT2001 CHK G DOUTY 12OCT2001 APVD H WAKEEM 13JUN2003		Tyco Electronics Harrisburg, PA 17105-3608	
MATERIAL SEE CALLOUT		FINISH SEE CALLOUT		NAME ASSEMBLY, RECEPTACLE, SIZE 11, 9 POSITION, PANEL MOUNT, SEALED, MINI CPC		RESTRICTED TO	
CUSTOMER DRAWING		WEIGHT -		SIZE CAGE CODE DRAWING NO A1 00779 C=1445816		SCALE 3:1 SHEET 1 OF 1 REV C	