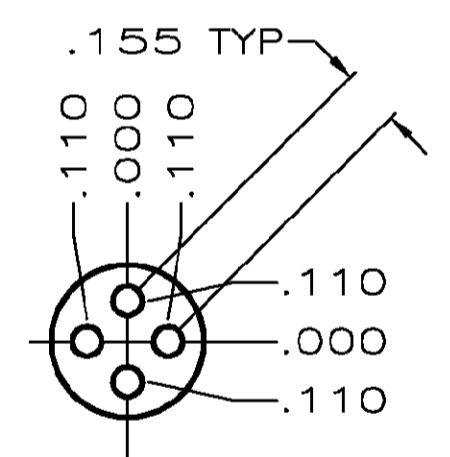
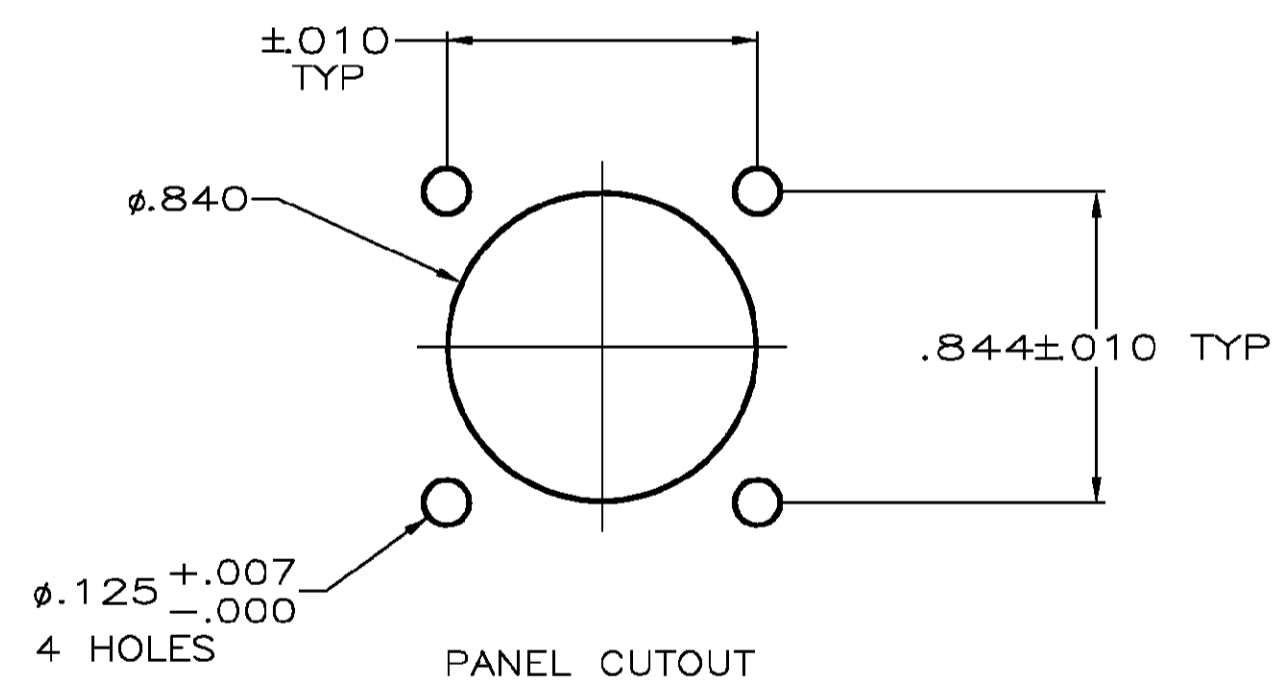
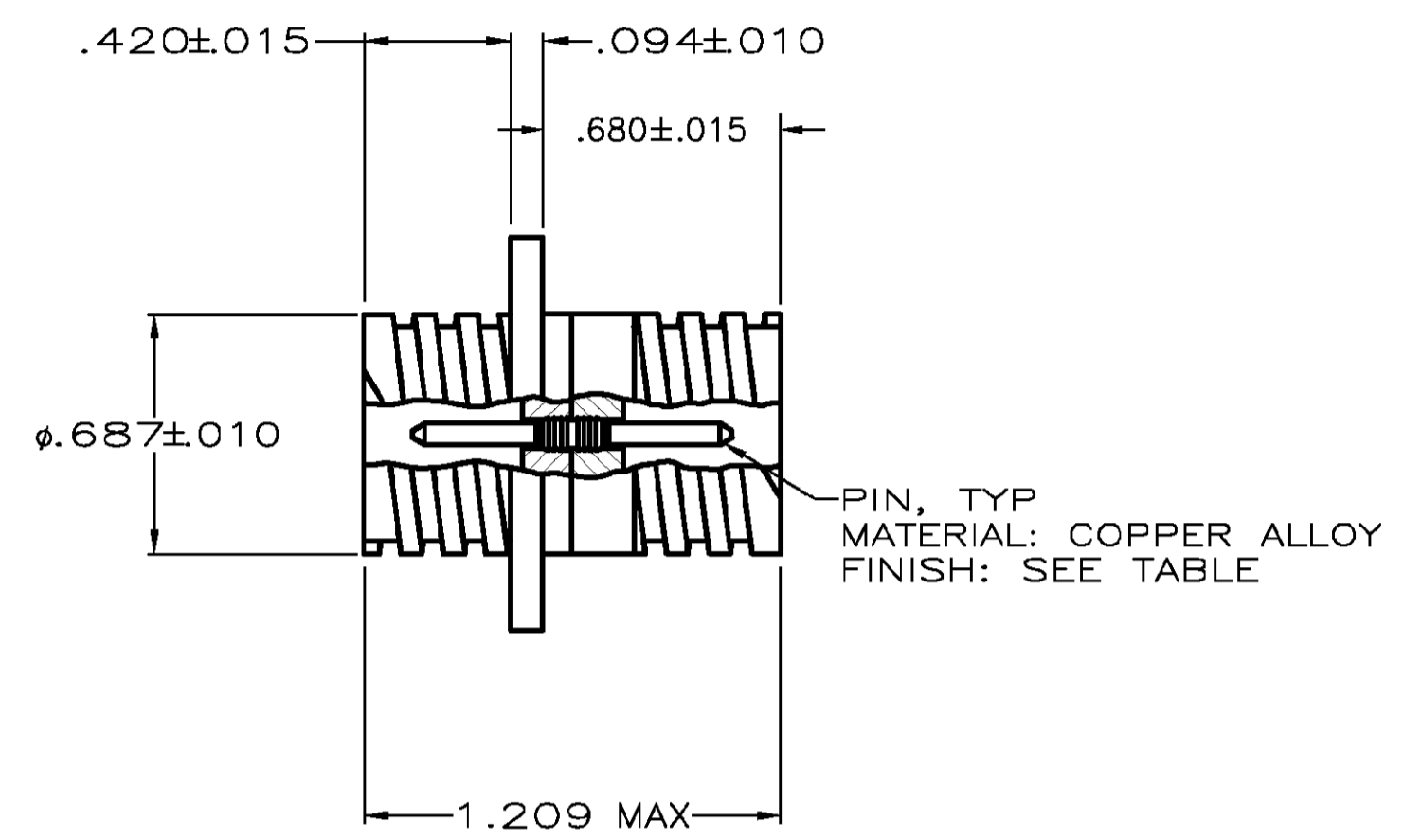
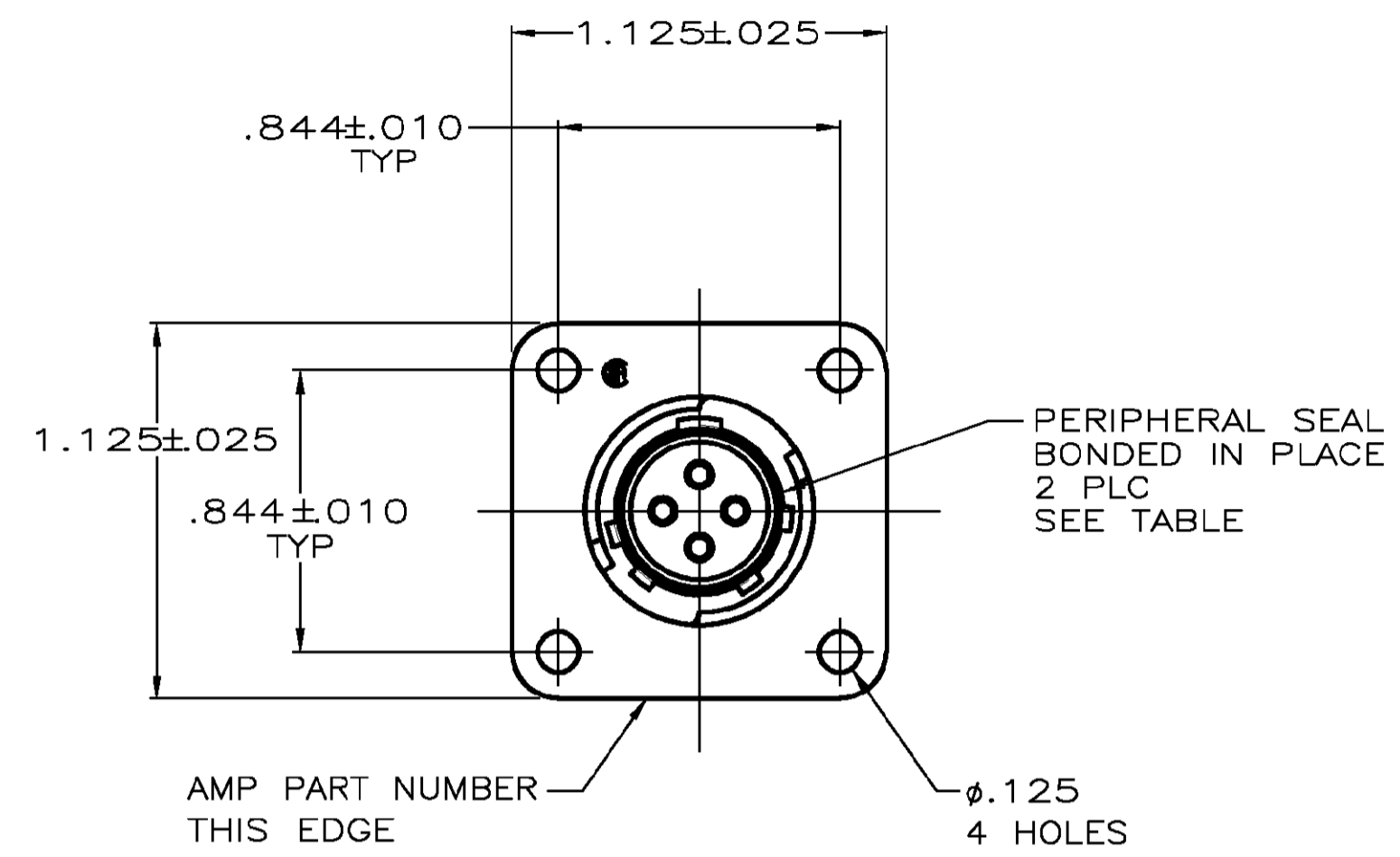


THIS DRAWING IS UNPUBLISHED. RELEASED FOR PUBLICATION
 © COPYRIGHT BY TYCO ELECTRONICS CORPORATION. ALL RIGHTS RESERVED.

Loc		DIST		REVISIONS			
P	LTR	DESCRIPTION	DATE	DWN	APVD		
FT	0						
	F	REVISED PER 0G3B-0436-02	8/12/02	SS	SH		



YES(2)	1	206518-5
NO	1	206518-2
NO	2	206518-1
PERIPHERAL SEAL	CONTACT FINISH	PART NUMBER

OBSOLETE

- NOTES:
- 1 GOLD PER MIL-G-45204 OVER NICKEL PER QQ-N-290.
 - 2 TIN PER MIL-T-10727.
 - 3 ACCOMODATES 4 SIZE 16 PIN CONTACTS, PERMANENTLY INSTALLED.

THIS DRAWING IS A CONTROLLED DOCUMENT.		DWN J. GALLUCCI BG 5-22-91	Tyco Electronics Corporation Harrisburg, PA 17105	
DIMENSIONS: INCHES		CHK W.G.LENKER 4-13-92	NAME RECEPTACLE ASSEMBLY, FEED THRU, SERIES 1, 11-4, CPC	
TOLERANCES UNLESS OTHERWISE SPECIFIED:		APVD -	PRODUCT SPEC 108-10024	
0 PLC ± - 1 PLC ± - 2 PLC ± - 3 PLC ± .005 4 PLC ± - ANGLES ± -		APPLICATION SPEC -	SIZE A2	CAGE CODE 00779
MATERIAL RCPT: THERMOPLASTIC COLOR: BLACK		FINISH SEE TABLE	DRAWING NO 206518	RESTRICTED TO -
CUSTOMER DRAWING		SCALE 2:1	SHEET 1 OF 1	REV F