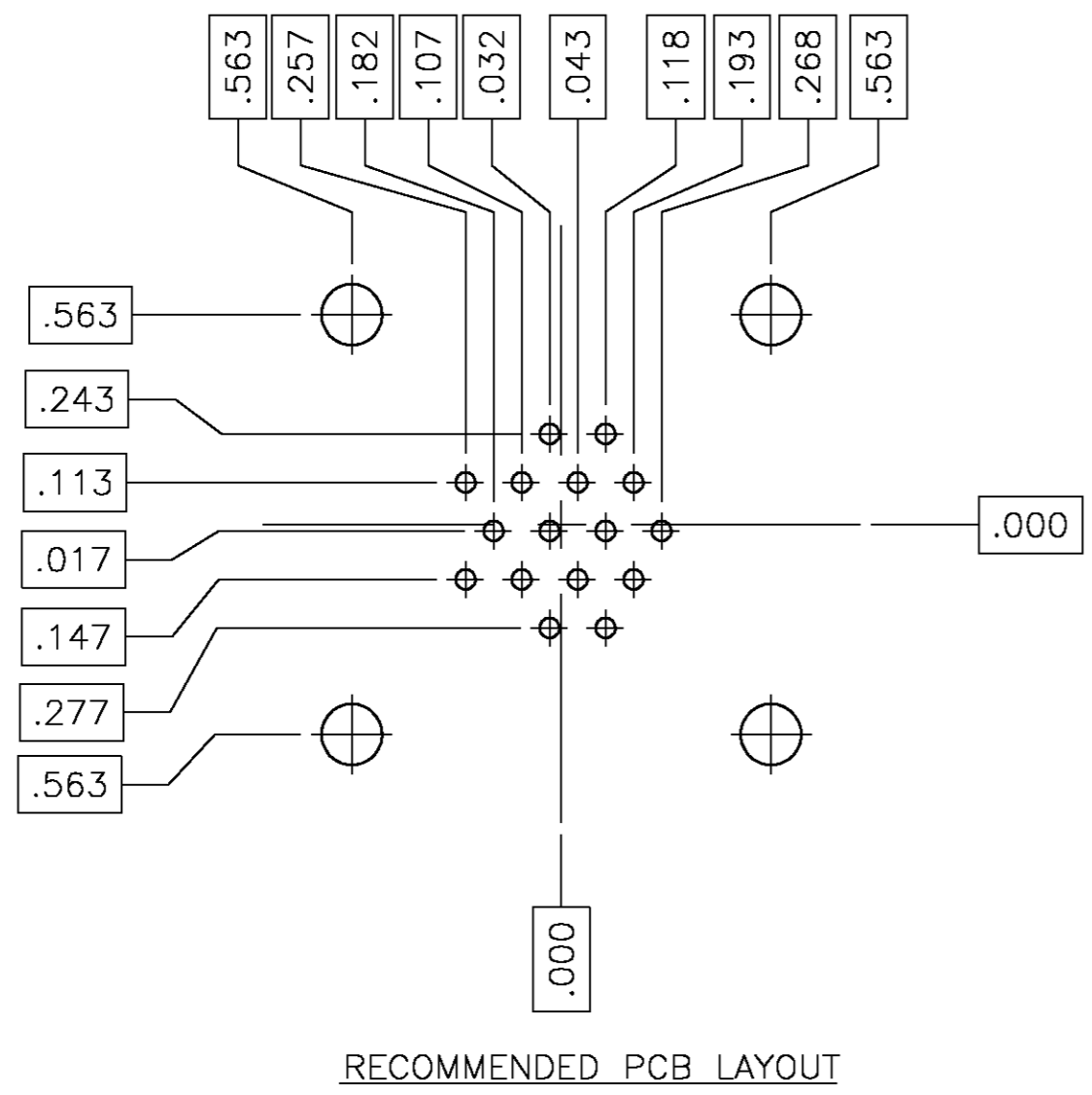
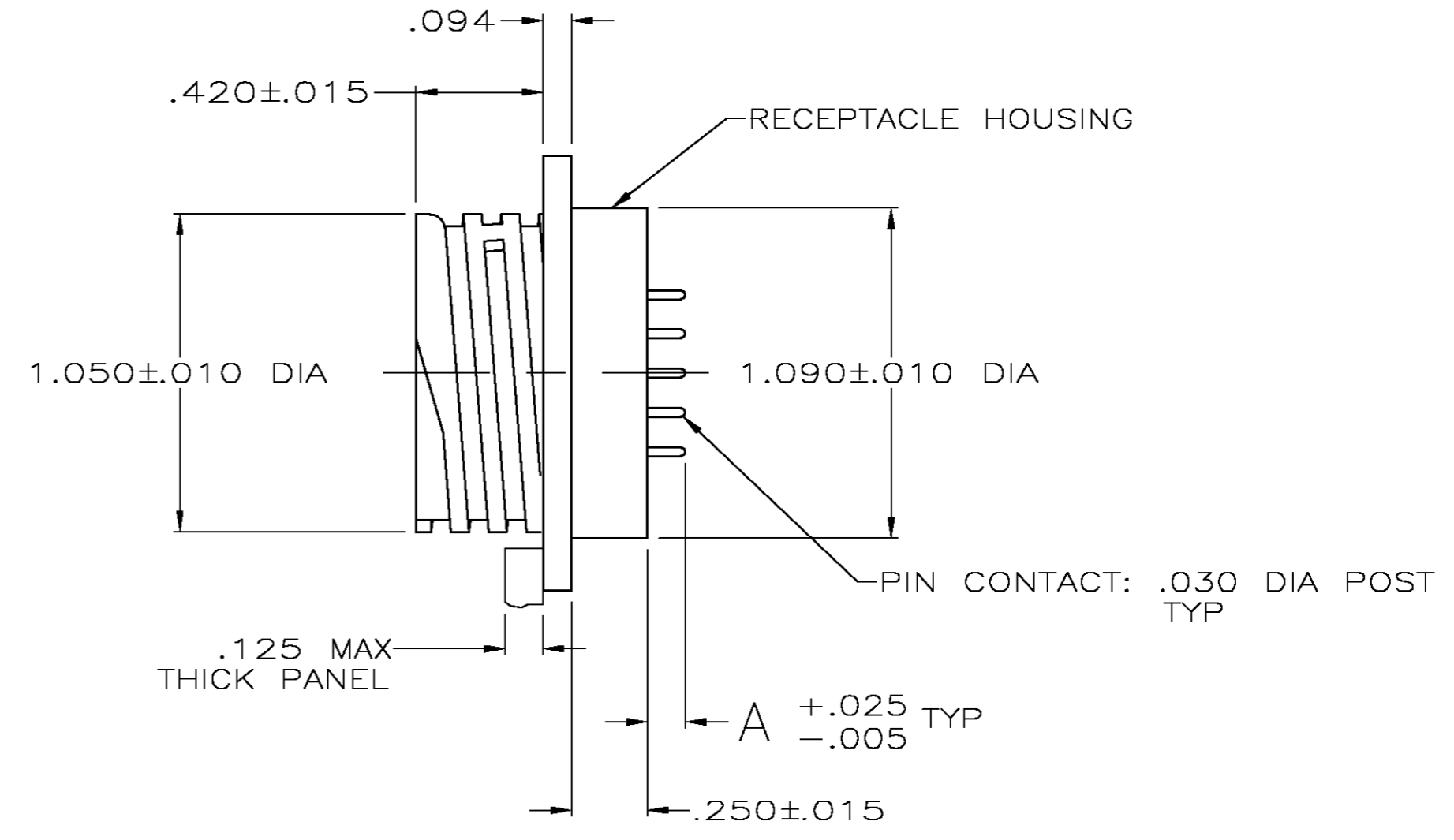
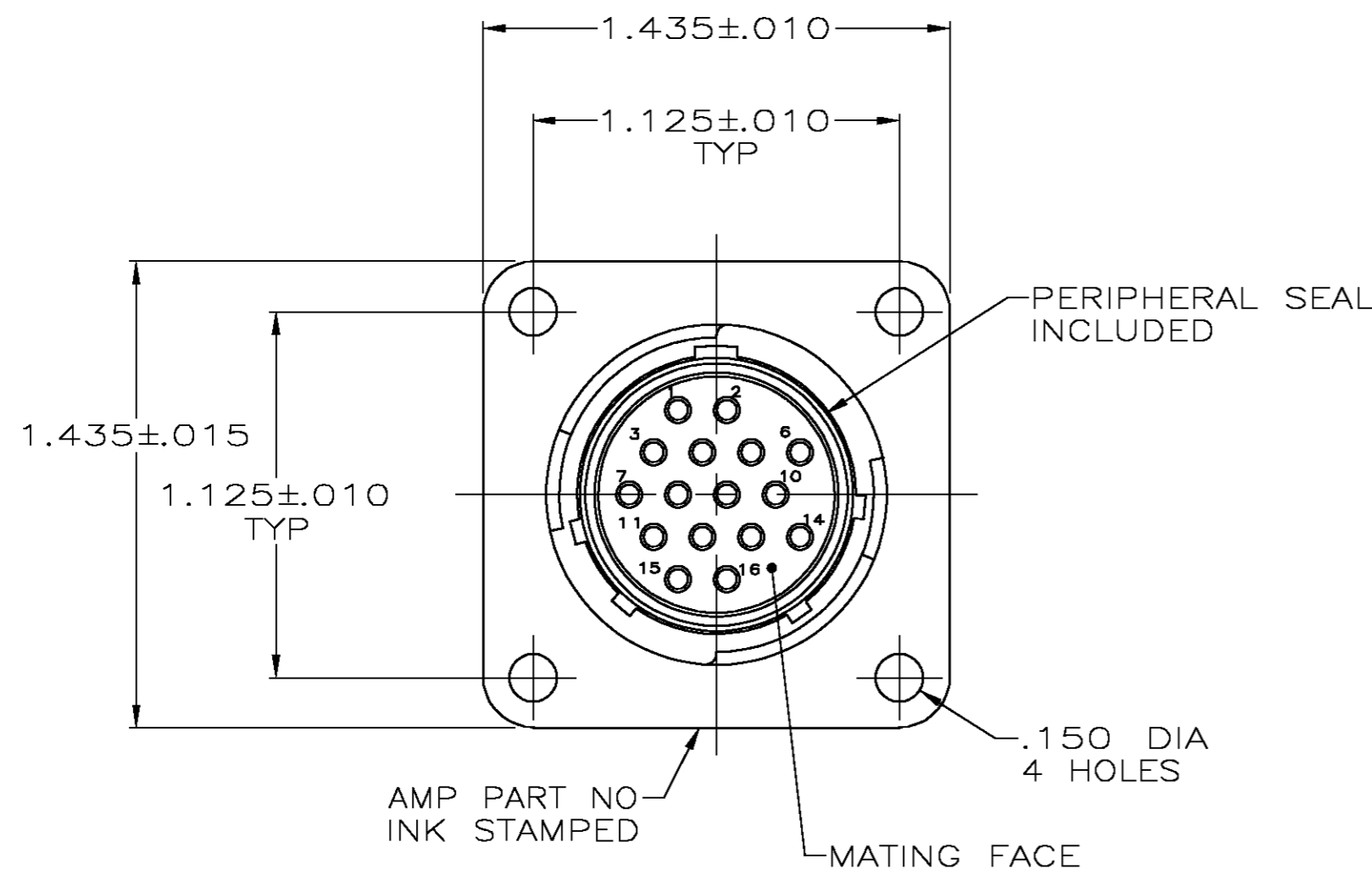


THIS DRAWING IS UNPUBLISHED. RELEASED FOR PUBLICATION  
 © COPYRIGHT BY TYCO ELECTRONICS CORPORATION. ALL RIGHTS RESERVED.

LOC		DIST		REVISIONS			
P	LTR	DESCRIPTION	DATE	DWN	APVD		
FT	0						
	F	REVISED PER 0G3B-0147-03	5/23/03	SS	SH		



PRELIMINARY	.175	4	207292-4
	.175	3	207292-3
	.125	4	207292-2
	.125	3	207292-1
A	FINISH	PART NUMBER	

- 1 NYLON, UL 94V-0 RATED, BLACK.
- 2 BRASS.
- 3 .000100 MIN TIN PER MIL-T-10727 OVER NICKEL FLASH PER QQ-N-290.
- 4 .000030 MIN GOLD PER MIL-G-45204 OVER .000030 MIN NICKEL PER QQ-N-290.

THIS DRAWING IS A CONTROLLED DOCUMENT.

DIMENSIONS: INCHES	TOLERANCES UNLESS OTHERWISE SPECIFIED:	DWN: J GALLUCCI BG 5-22-91	CHK: R.STONE 3-4-92	Tyco Electronics Corporation Harrisburg, PA 17105	
	0 PLC ± -	APVD: -	NAME: -	POSTED RECEPTACLE ASSEMBLY, STD SEX, SERIES 1, 17-16, CPC	
	1 PLC ± -	PRODUCT SPEC: -	SIZE: A2	CAGE CODE: 00779	DRAWING NO: C=207292
	2 PLC ± -	APPLICATION SPEC: -	WEIGHT: -	SCALE: 2:1	SHEET 1 OF 1
	3 PLC ± .005		CUSTOMER DRAWING	RESTRICTED TO: -	REV: F
	4 PLC ± -				
	ANGLES ± -				
MATERIAL: RECEPT HOUSING: 1 PIN CONTACT: 2	FINISH: PIN CONTACT: SEE TABLE				