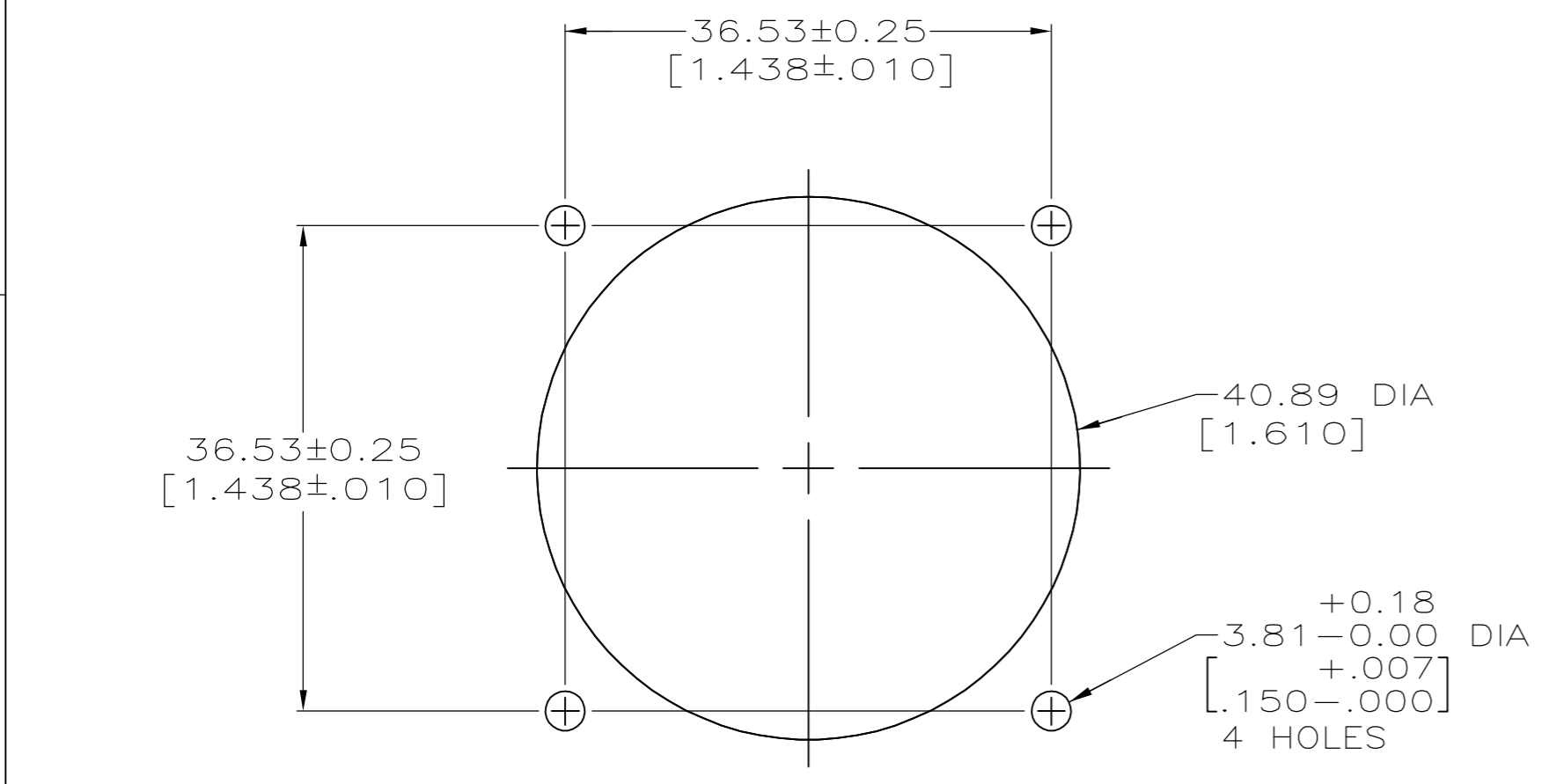
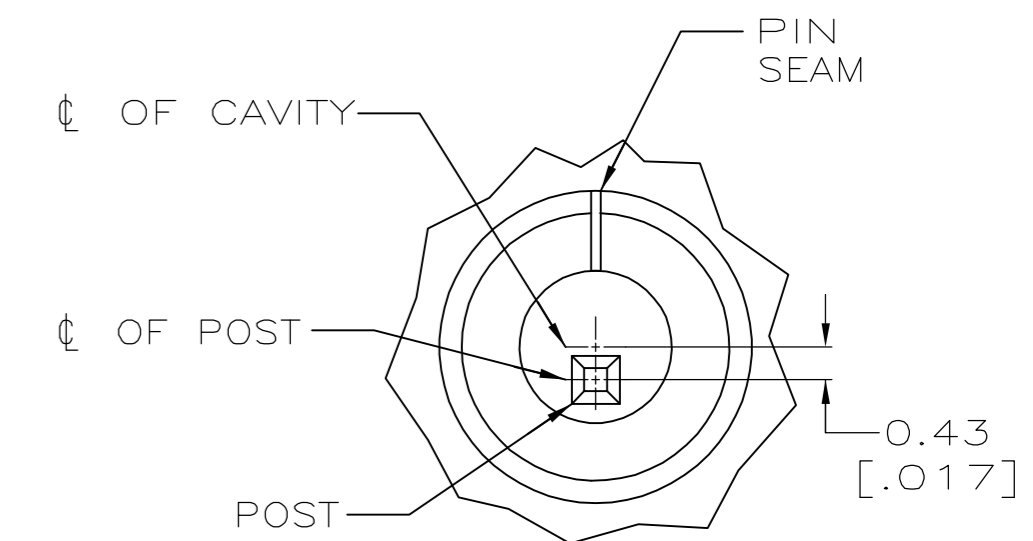
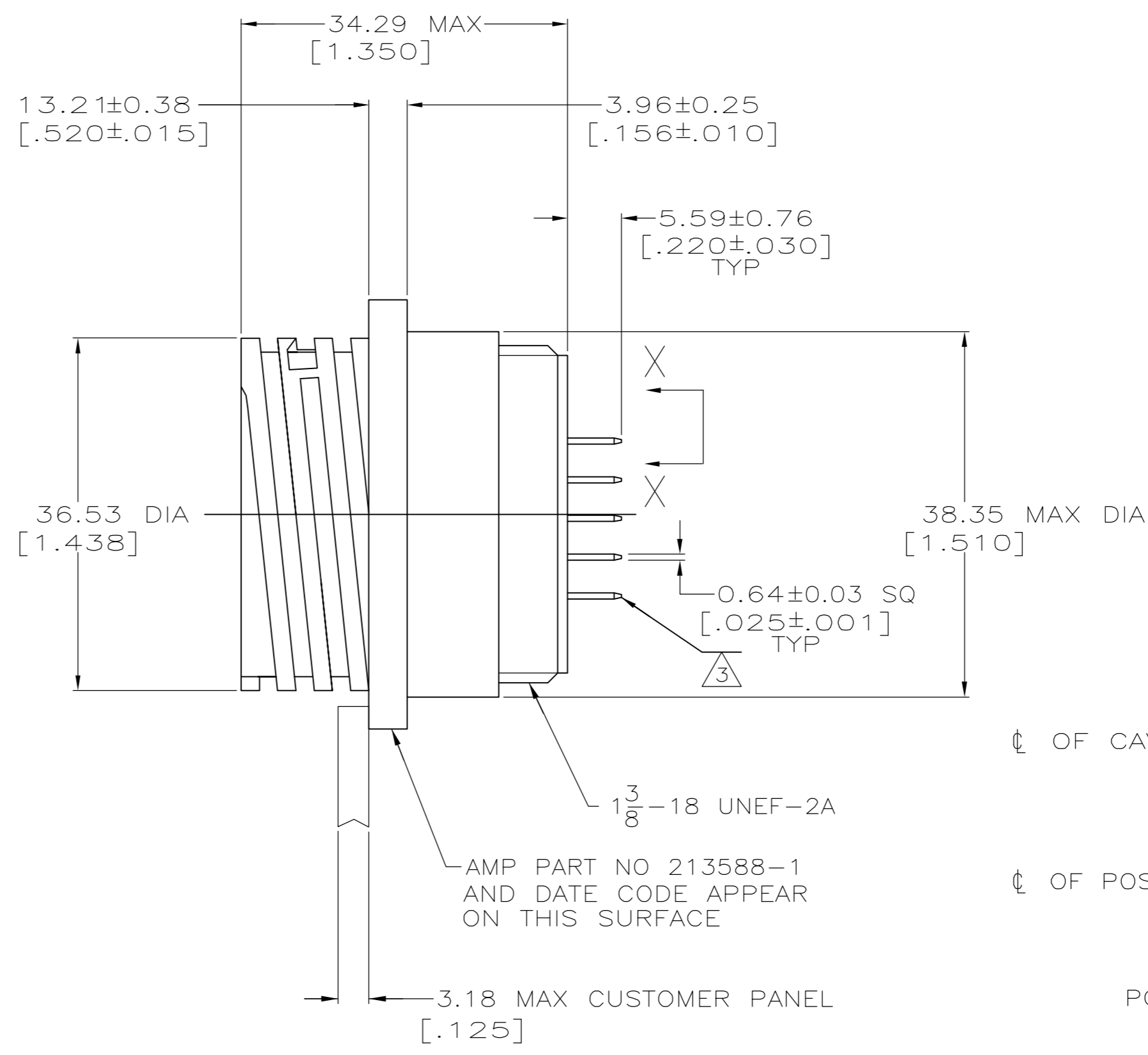
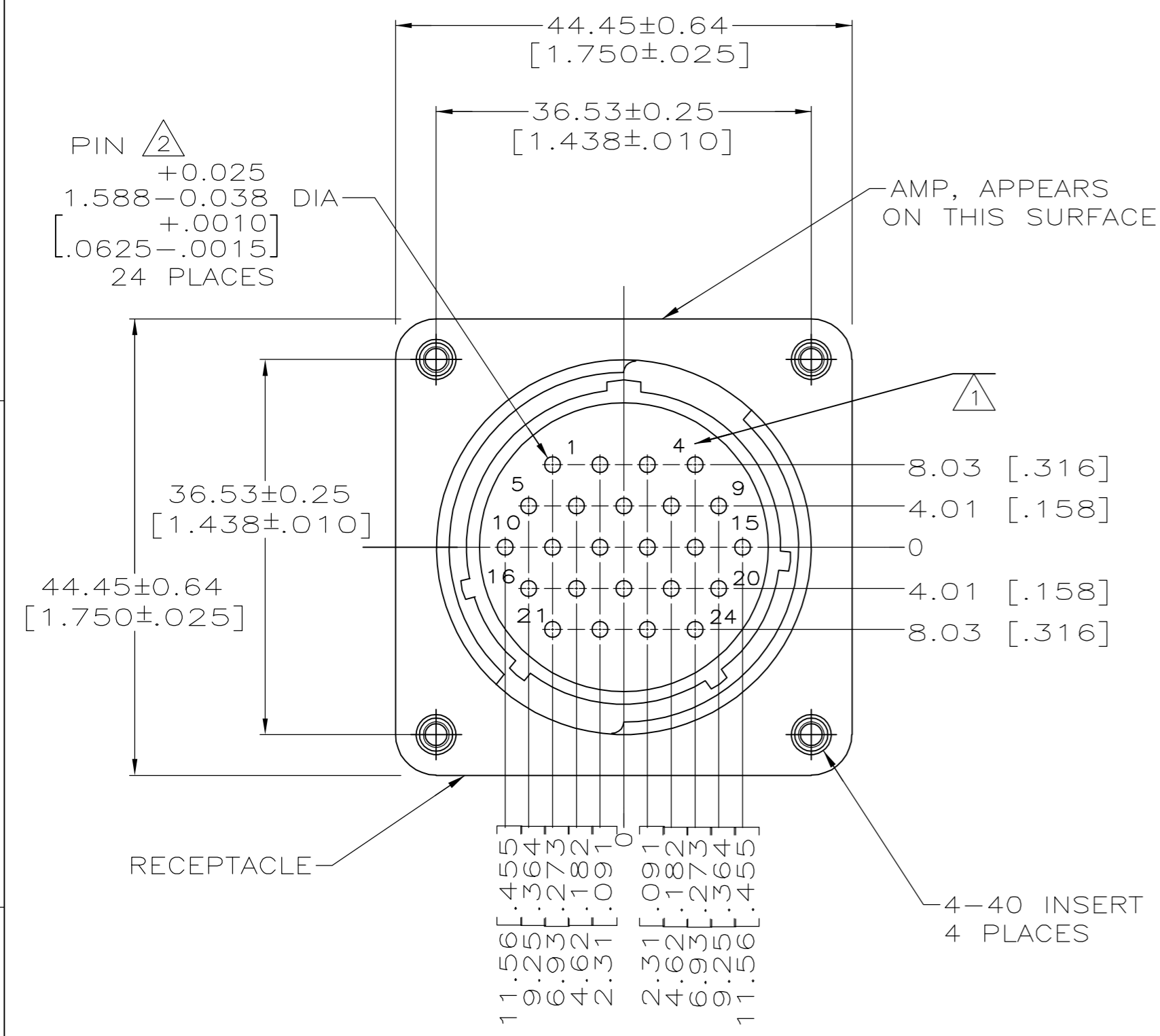


LOC	DIST	REVISIONS			
P	LTR	DESCRIPTION	DATE	DWN	APVD
BD	0				
	B	REVISED PER ECO-06-2610	2/17/06	SS	SH



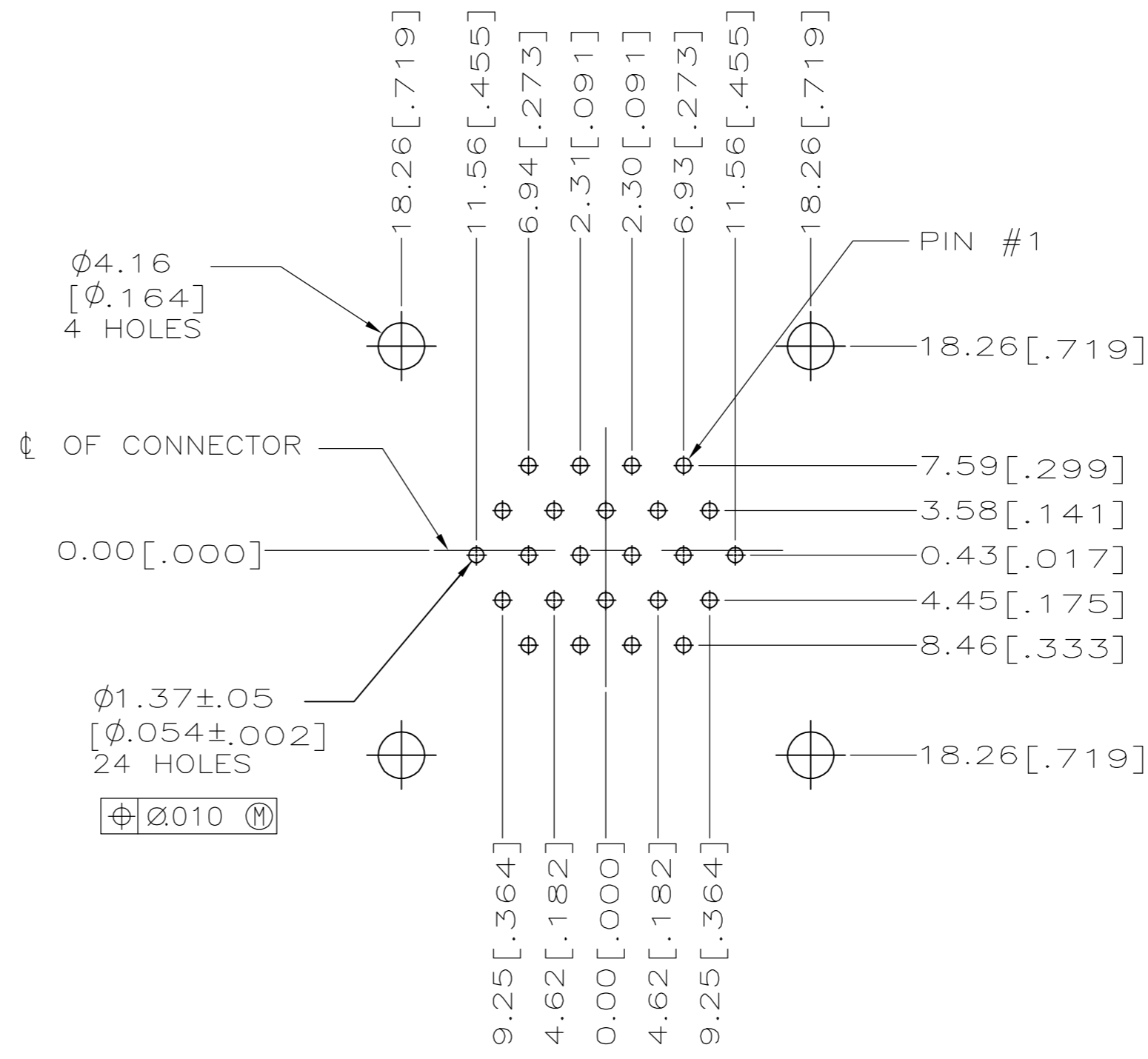
- ① CAVITY IDENTIFICATION CHARACTERS ON FRONT AND REAR FACE.
- ② $1.27\mu\text{m}$ [.000050] MIN TIN OVER NICKEL FLASH.
- ③ $2.54\mu\text{m}$ [.000100] MIN TIN-LEAD OVER $2.54\mu\text{m}$ [.000100] MIN COPPER ON THIS END.
- ④ $2.54\mu\text{m}$ [.000100] MIN TIN OVER $2.54\mu\text{m}$ [.000100] MIN COPPER ON THIS END.

④	213588-2
③	213588-1
POST FINISH	PART NUMBER

THIS DRAWING IS A CONTROLLED DOCUMENT.		DWN	C DORWART	2-23-90	Tyco Electronics Corporation Harrisburg, PA 17105-3608
DIMENSIONS: mm [INCHES]		CHK	-	-	
TOLERANCES UNLESS OTHERWISE SPECIFIED:		APVD	-	-	PRODUCT SPEC
0 PLC	± -	APPLICATION SPEC	-	-	RECEPTACLE ASSEMBLY, 23-24, STANDARD SEX, POSTED CONTACTS, CPC
1 PLC	± -	WEIGHT	-	-	SIZE
2 PLC	± 0.13 [.005]	CUSTOMER DRAWING	-	-	CAGE CODE
3 PLC	± -	SCALE	2:1	SHEET	1 OF 2
4 PLC	± -	REV	B		
ANGLES	± -				
FINISH	-				

THIS DRAWING IS UNPUBLISHED. RELEASED FOR PUBLICATION
 © COPYRIGHT BY TYCO ELECTRONICS CORPORATION. ALL RIGHTS RESERVED.

LOC	DIST	REVISIONS			
P	LTR	DESCRIPTION	DATE	DWN	APVD
BD	0	SEE SHEET 1	-	-	-



RECOMMENDED P.C. BOARD LAYOUT

THIS DRAWING IS A CONTROLLED DOCUMENT.		DWN 2-23-90 C DORWART	tyco Tyco Electronics Corporation Harrisburg, PA 17105-3608	
DIMENSIONS: mm [INCHES]		CHK - APVD - PRODUCT SPEC - APPLICATION SPEC -	NAME RECEPTACLE ASSEMBLY, 23-24, STANDARD SEX, POSTED CONTACTS, CPC	
TOLERANCES UNLESS OTHERWISE SPECIFIED: 0 PLC ± - 1 PLC ± - 2 PLC ± 0.13 [.005] 3 PLC ± - 4 PLC ± - ANGLES ± -		WEIGHT -	SIZE A2 CAGE CODE 00779 DRAWING NO. C=213588	RESTRICTED TO -
MATERIAL INSERT AND PIN: BRASS		FINISH -	SCALE 2:1	SHEET 2 OF 2 REV B