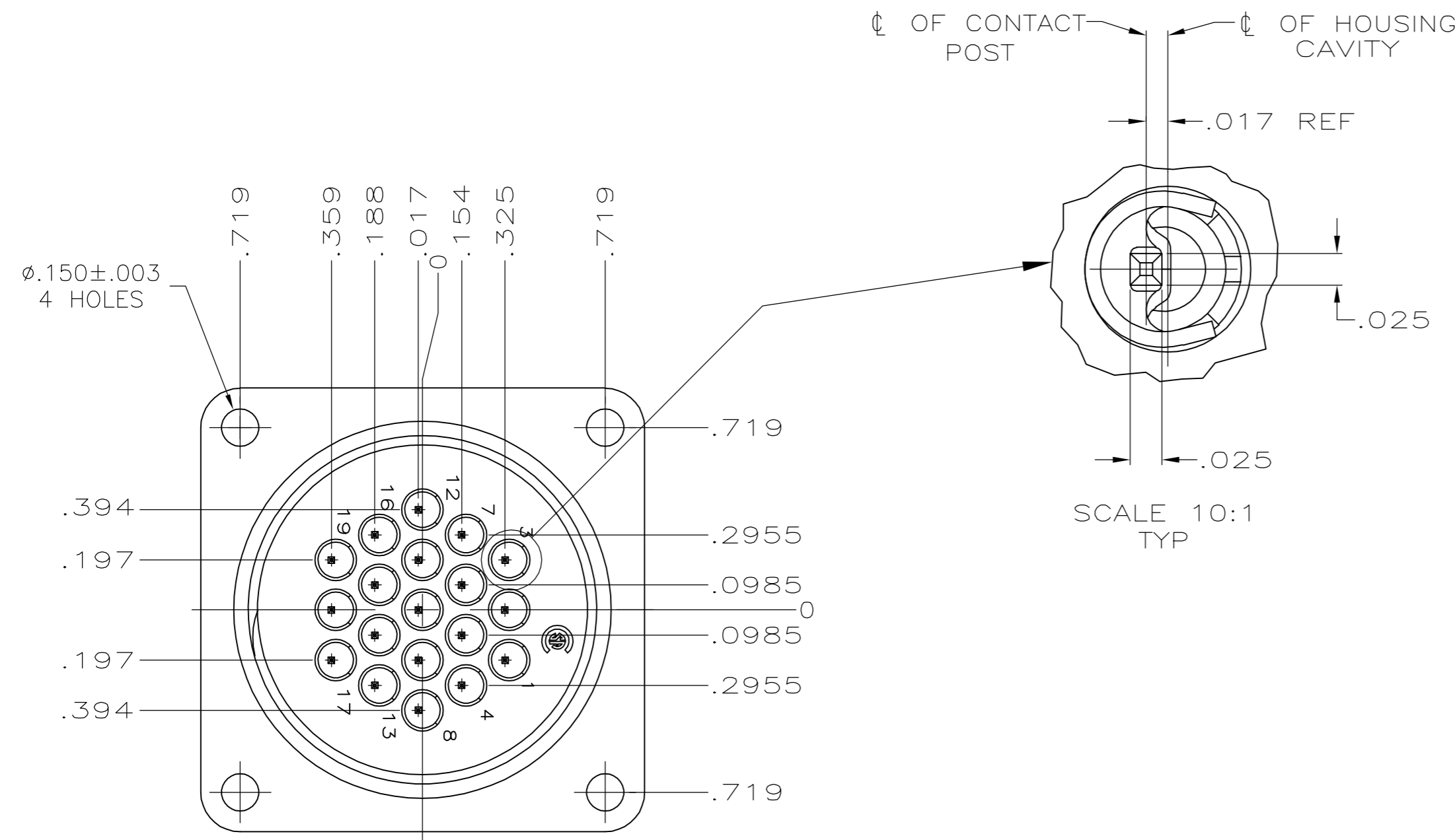
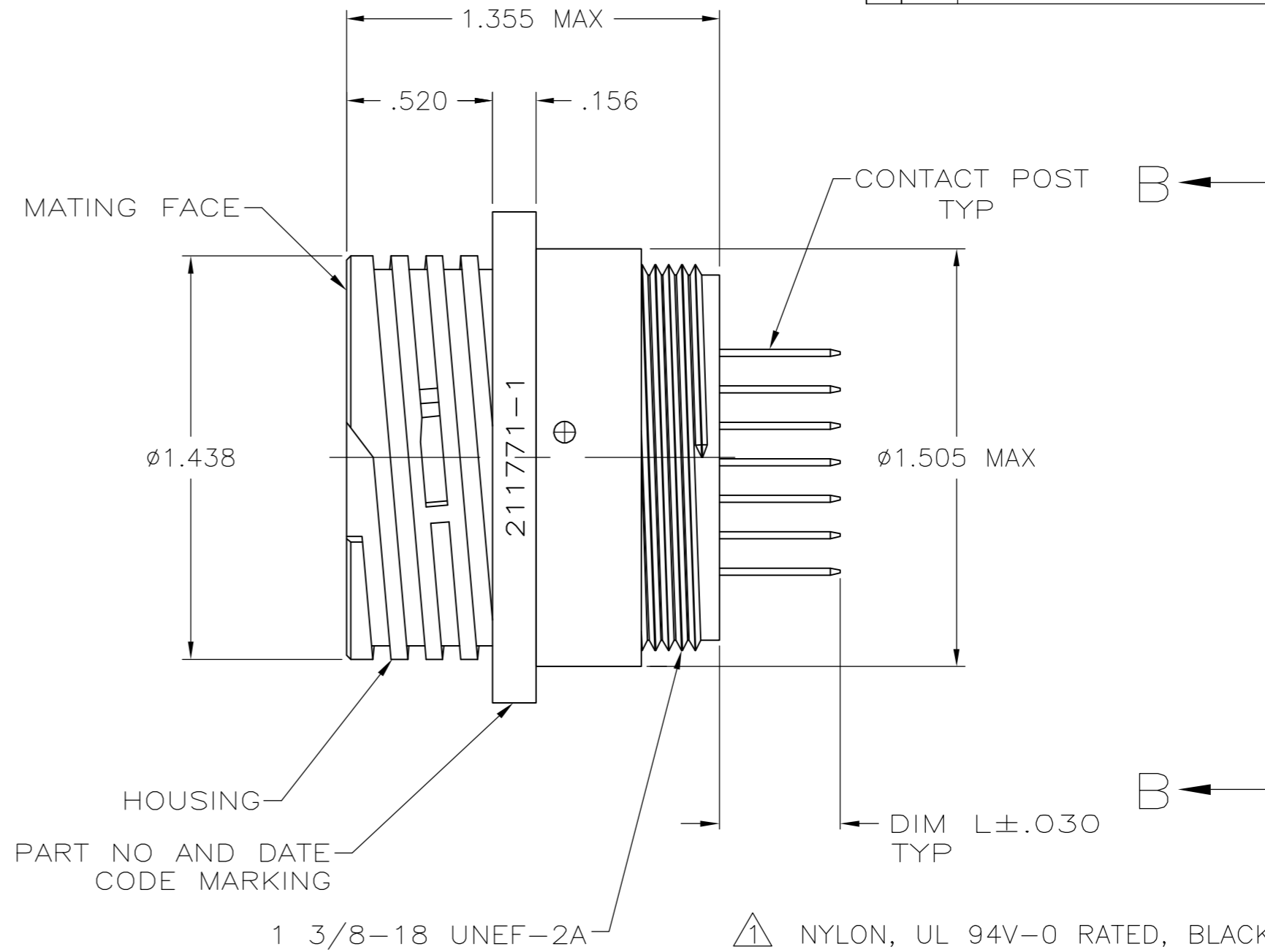
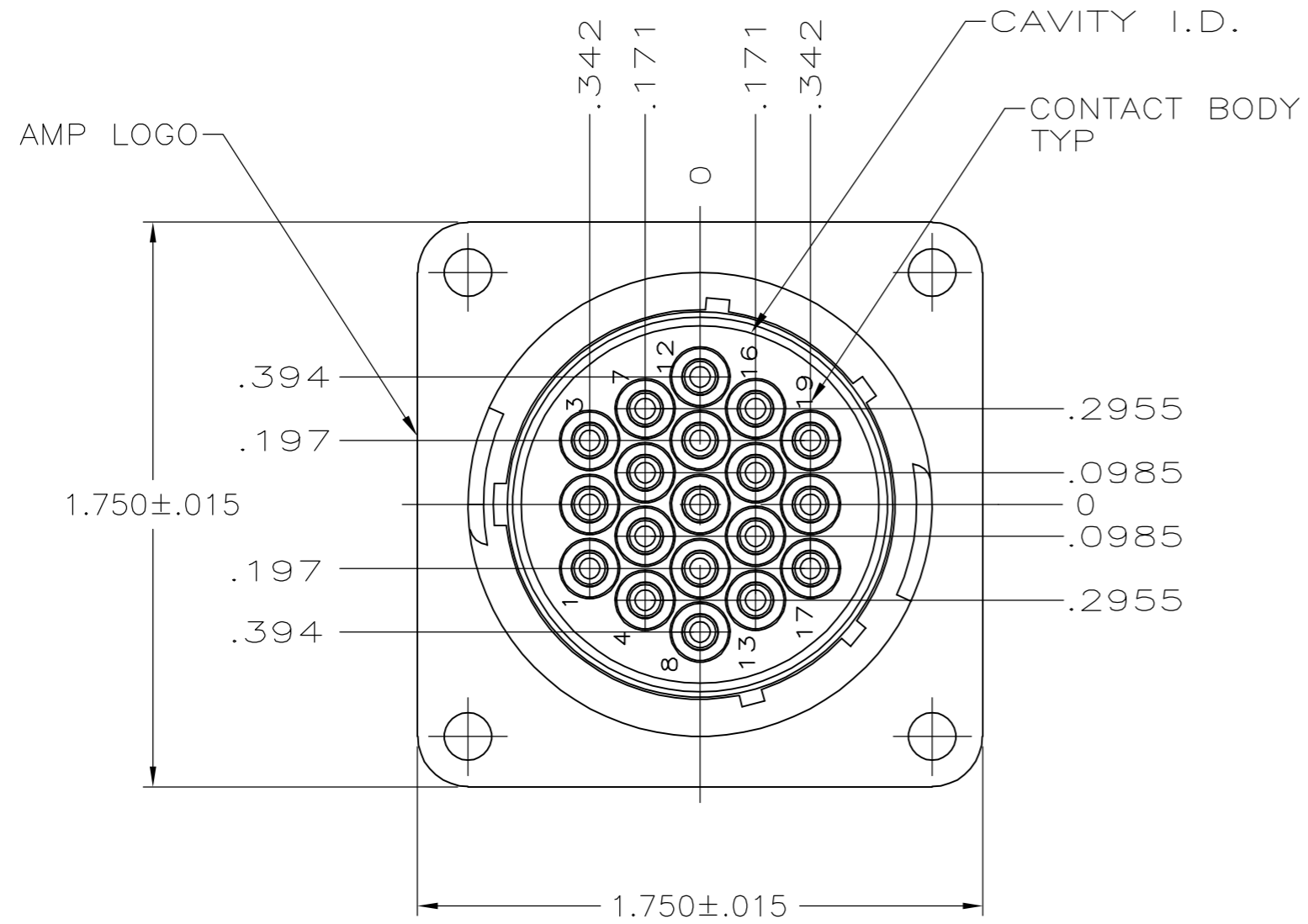


THIS DRAWING IS UNPUBLISHED. RELEASED FOR PUBLICATION  
 © COPYRIGHT BY TYCO ELECTRONICS CORPORATION. ALL RIGHTS RESERVED.

LOC		DIST		REVISIONS			
P	LTR	DESCRIPTION	DATE	DWN	APVD		
FT	0						
	F	REVISED PER ECO-07-007552	4/20/07	SS	SH		



- ① NYLON, UL 94V-0 RATED, BLACK.
- ② STAINLESS STEEL.
- ③ BRASS.
- ④ CONTACT BODY: .000030 MIN GOLD FOR A LENGTH .200 MIN FROM MATING END. GOLD FLASH ON REMAINDER, BOTH OVER .000050 MIN NICKEL.
- ⑤ CONTACT POST: .000100 MIN TIN-LEAD OVER .000050 MIN NICKEL.
- ⑥ CONTACT POST: .000100 MIN TIN OVER .000050 MIN NICKEL.
- 7. RECOMMENDED PC BOARD HOLE SIZE FOR CONTACT POST = .035 ± .003 DIA.
- ⑧ SELECT LOAD: NO CONTACTS IN POSITIONS 5 AND 6.

POST FINISH	DIM L	PART NUMBER
⑤	.244	213782-7
⑥	.429	213782-4
⑤	.119	213782-3
⑤	.244	213782-2
⑤	.429	213782-1

THIS DRAWING IS A CONTROLLED DOCUMENT.		DWN W.LENKER 08/20/93	Tyco Electronics Corporation Harrisburg, PA 17105-3608	
DIMENSIONS: INCHES		CHK R.STONE 08/24/93		
TOLERANCES UNLESS OTHERWISE SPECIFIED:		APVD -	NAME	
0 PLC ± -		PRODUCT SPEC	RECEPTACLE ASSEMBLY, POSTED, STD SEX, SERIES 1, 23-19, CPC	
1 PLC ± -		APPLICATION SPEC	-	
2 PLC ± -		WEIGHT	-	
3 PLC ± .005		SCALE	2:1	
4 PLC ± .0050		SHEET	1 of 2	
ANGLES ± -		REV	F	
FINISH		CUSTOMER DRAWING		

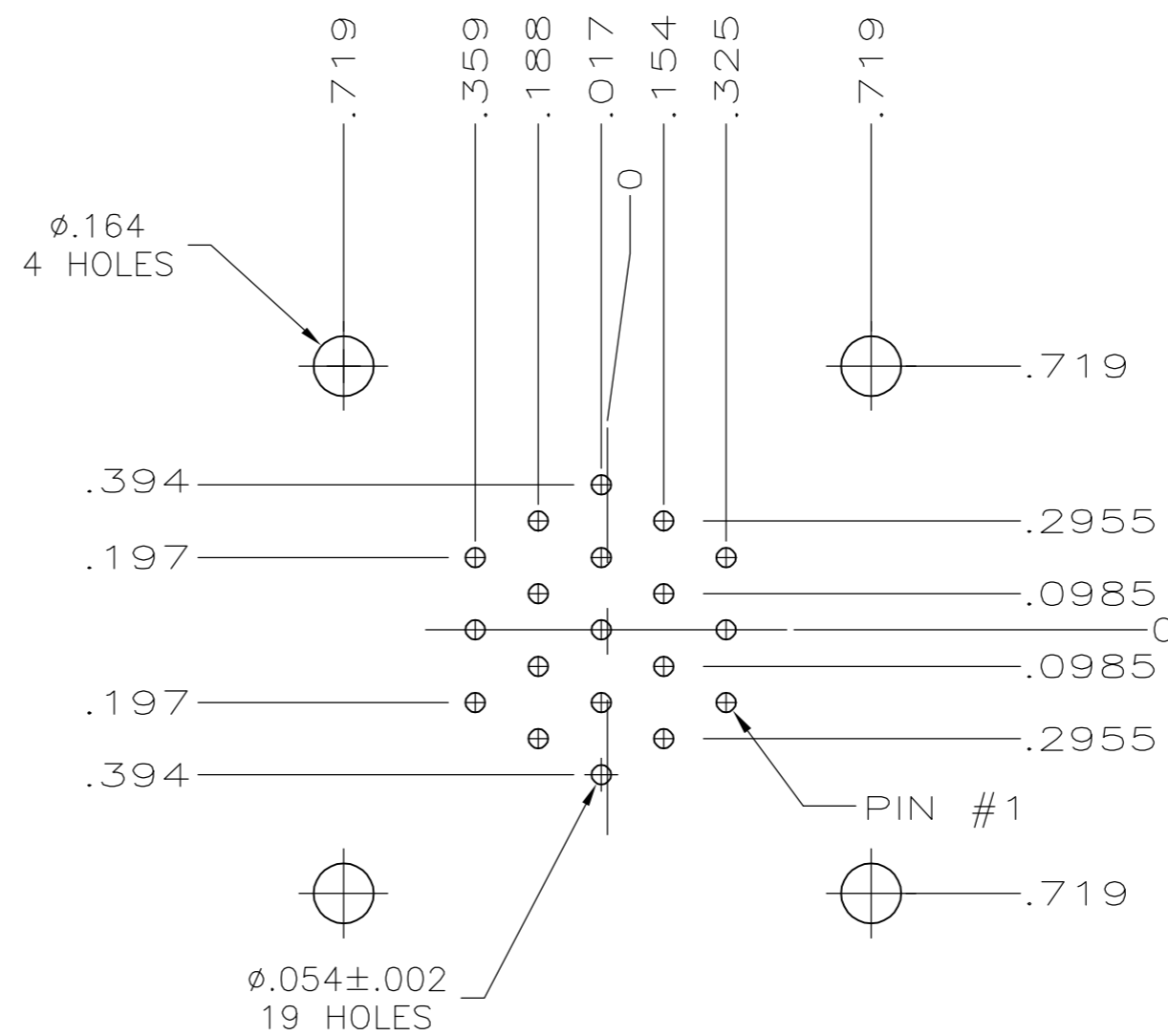
VIEW B-B

213782

A

THIS DRAWING IS UNPUBLISHED. RELEASED FOR PUBLICATION  
 © COPYRIGHT BY TYCO ELECTRONICS CORPORATION. ALL RIGHTS RESERVED.

LOC	DIST	REVISIONS					
FT	0	P	LTR	DESCRIPTION	DATE	DWN	APVD
		-	-	SEE SHEET 1	-	-	-



RECOMMENDED P.C. BOARD LAYOUT

THIS DRAWING IS A CONTROLLED DOCUMENT.		DWN W.LENKER 08/20/93	Tyco Electronics Corporation Harrisburg, PA 17105-3608	
DIMENSIONS: INCHES		CHK R.STONE 08/24/93		
		TOLERANCES UNLESS OTHERWISE SPECIFIED: 0 PLC ± - 1 PLC ± - 2 PLC ± .005 3 PLC ± .0050 4 PLC ± - ANGLES ± - FINISH -		APVD - NAME RECEPTACLE ASSEMBLY, POSTED, STD SEX, SERIES 1, 23-19, CPC
MATERIAL: HOUSING: △ CONTACT SPRING: △ CONTACT BODY & POST: △		PRODUCT SPEC 108-10024 APPLICATION SPEC 114-10038 WEIGHT -	SIZE A2 CAGE CODE 00779 DRAWING NO C=213782 RESTRICTED TO -	
CUSTOMER DRAWING		SCALE 2:1	SHEET 2 of 2	REV F