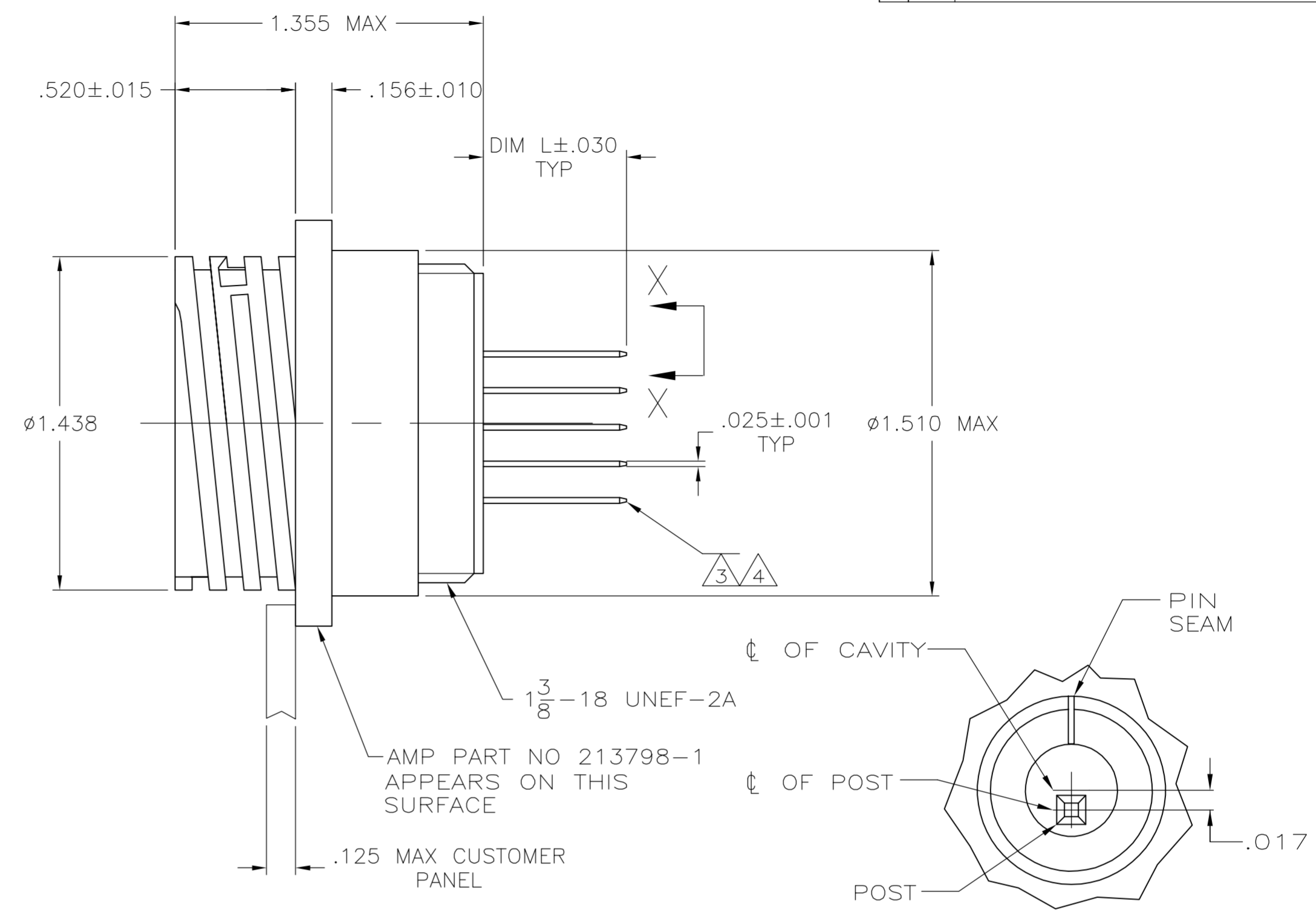
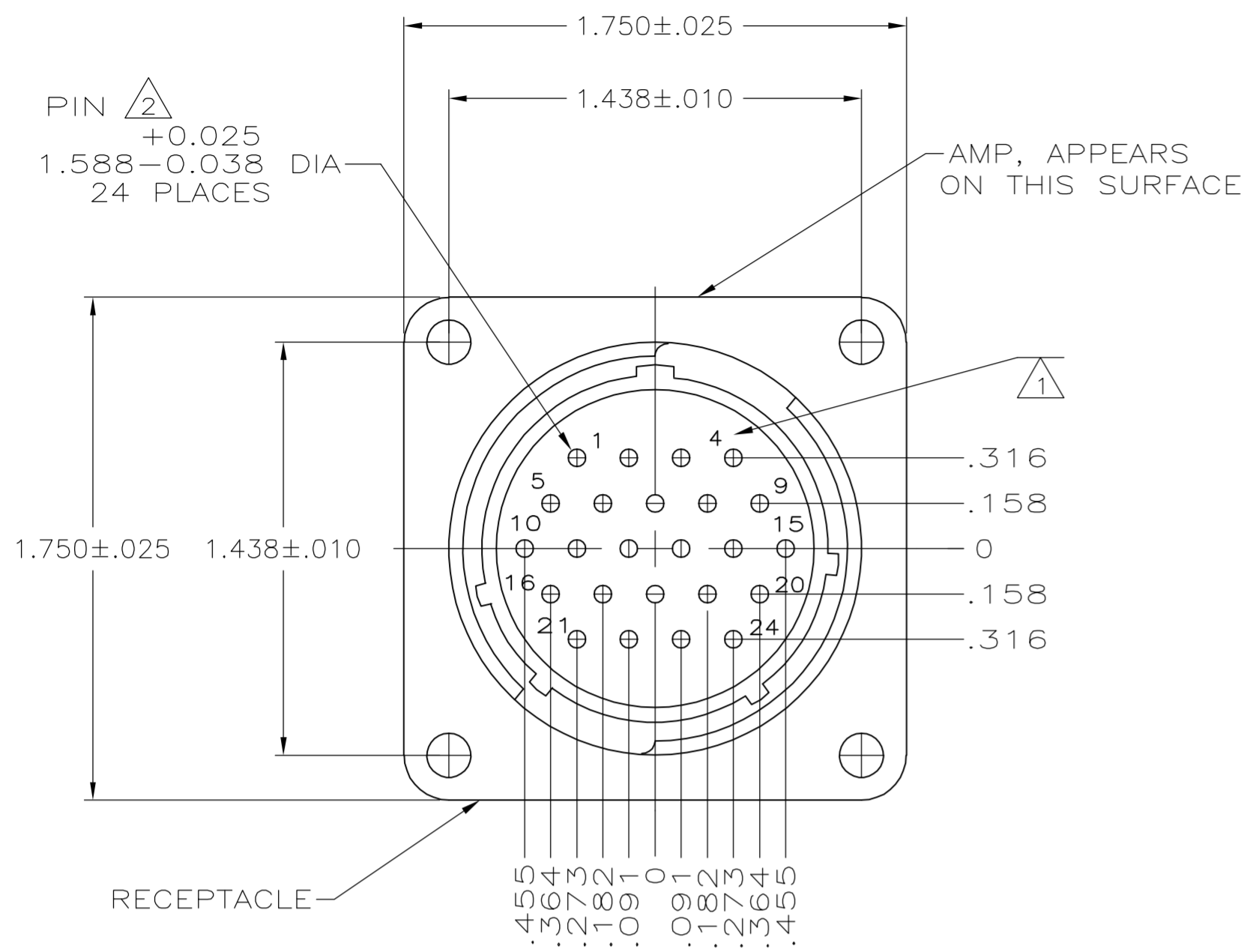
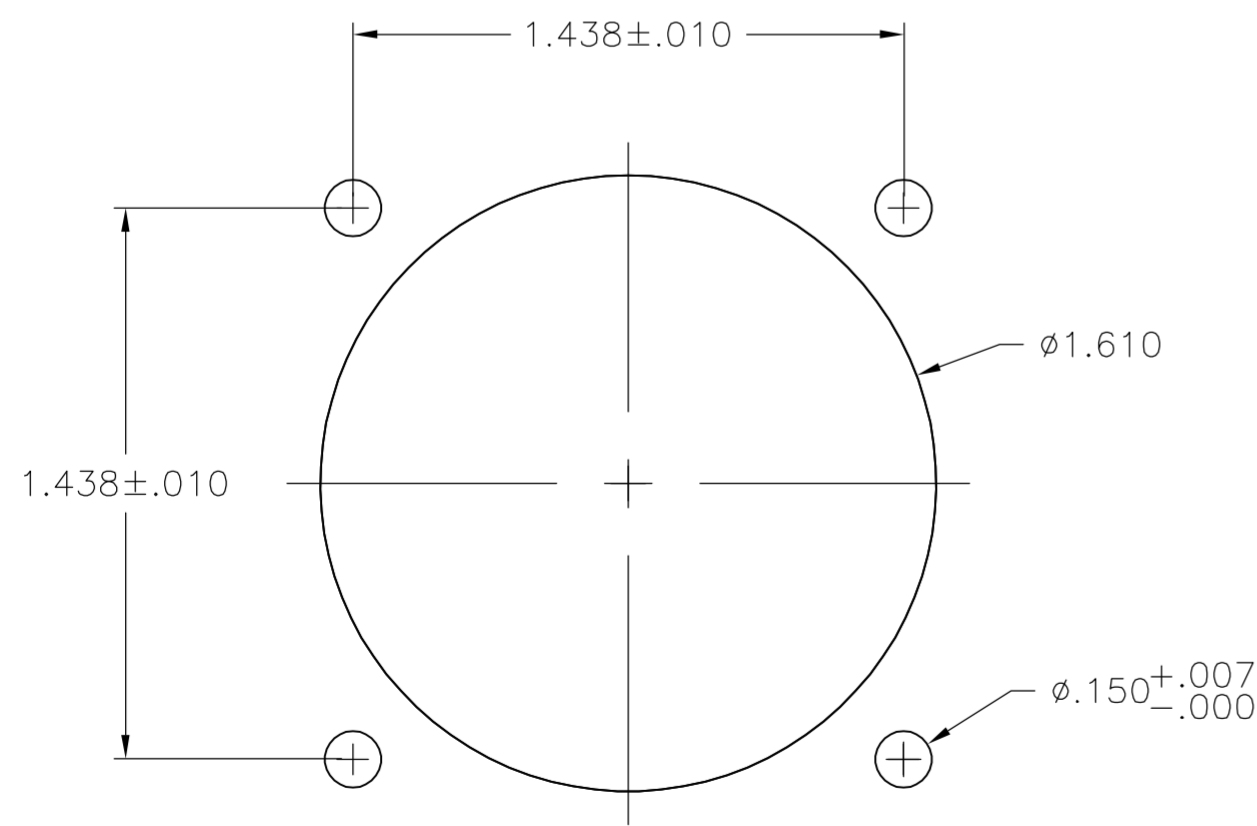


THIS DRAWING IS UNPUBLISHED. RELEASED FOR PUBLICATION
 © COPYRIGHT BY TYCO ELECTRONICS CORPORATION. ALL RIGHTS RESERVED.

LOC	DIST	REVISIONS			29NOV01	RH
FT	0	P	LTR	DESCRIPTION	DATE	DWN
		C		REVISE PER ECO-06-2610	2/17/06	SS
						SH



VIEW X-X
TYPICAL
SCALE 10:1



RECOMMENDED PANEL CUTOUT

- $\triangle 1$ CAVITY IDENTIFICATION CHARACTERS ON FRONT AND REAR FACE.
- $\triangle 2$.000030 MIN GOLD FOR A LENGTH OF .250 MIN FROM MATING END OVER .000050 MIN NICKEL.
- $\triangle 3$.000100 MIN TIN-LEAD OVER .000050 MIN NICKEL ON THIS END.
- $\triangle 4$.000100 MIN TIN OVER .000050 MIN NICKEL ON THIS END.

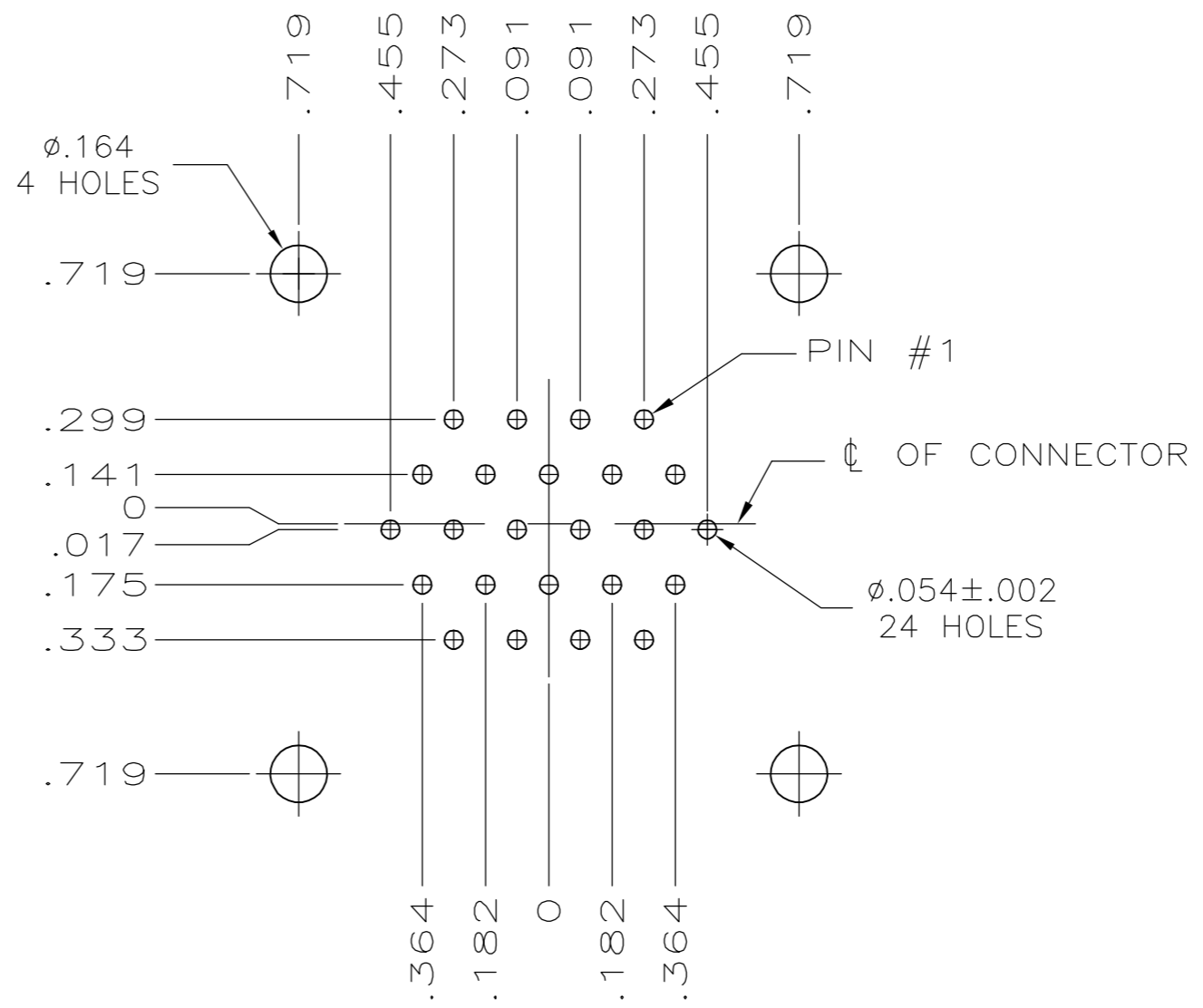
$\triangle 4$.618	213798-3
$\triangle 3$.244	213798-2
$\triangle 3$.618	213798-1
POST FINISH	DIM L	PART NUMBER

THIS DRAWING IS A CONTROLLED DOCUMENT.		DWN	D.BROCKWAY	06-30-94	 Tyco Electronics Corporation Harrisburg, PA 17105-3608																												
		CHK	R.STONE	07-06-94																													
DIMENSIONS: INCHES		TOLERANCES UNLESS OTHERWISE SPECIFIED:		NAME																													
<table border="1"> <tr><td>0 PLC</td><td>± -</td></tr> <tr><td>1 PLC</td><td>± -</td></tr> <tr><td>2 PLC</td><td>± 0.13[.005]</td></tr> <tr><td>3 PLC</td><td>± -</td></tr> <tr><td>4 PLC</td><td>± -</td></tr> <tr><td>ANGLES</td><td>± -</td></tr> <tr><td>FINISH</td><td>-</td></tr> </table>		0 PLC	± -	1 PLC	± -	2 PLC	± 0.13[.005]	3 PLC	± -	4 PLC	± -	ANGLES	± -	FINISH	-	<table border="1"> <tr><td>PRODUCT SPEC</td><td>108-10024</td></tr> <tr><td>APPLICATION SPEC</td><td>-</td></tr> <tr><td>WEIGHT</td><td>-</td></tr> </table>		PRODUCT SPEC	108-10024	APPLICATION SPEC	-	WEIGHT	-	<table border="1"> <tr><td>SIZE</td><td>A2</td></tr> <tr><td>CAGE CODE</td><td>00779</td></tr> <tr><td>DRAWING NO</td><td>C=213798</td></tr> <tr><td>RESTRICTED TO</td><td>-</td></tr> </table>		SIZE	A2	CAGE CODE	00779	DRAWING NO	C=213798	RESTRICTED TO	-
0 PLC	± -																																
1 PLC	± -																																
2 PLC	± 0.13[.005]																																
3 PLC	± -																																
4 PLC	± -																																
ANGLES	± -																																
FINISH	-																																
PRODUCT SPEC	108-10024																																
APPLICATION SPEC	-																																
WEIGHT	-																																
SIZE	A2																																
CAGE CODE	00779																																
DRAWING NO	C=213798																																
RESTRICTED TO	-																																
MATERIAL: PIN: BRASS; RECEPTACLE: NYLON, BLACK		CUSTOMER DRAWING		SCALE 2:1 SHEET 1 of 2 REV C																													

213798

THIS DRAWING IS UNPUBLISHED. RELEASED FOR PUBLICATION
 © COPYRIGHT BY TYCO ELECTRONICS CORPORATION. ALL RIGHTS RESERVED.

LOC	DIST	REVISIONS					
FT	0	P	LTR	DESCRIPTION	DATE	DWN	APVD
		-	-	SEE SHEET 1	-	-	-



RECOMMENDED P.C. BOARD LAYOUT

THIS DRAWING IS A CONTROLLED DOCUMENT.		DWN D.BROCKWAY 06-30-94	Tyco Electronics Corporation Harrisburg, PA 17105-3608	
DIMENSIONS: INCHES		CHK R.STONE 07-06-94		
TOLERANCES UNLESS OTHERWISE SPECIFIED: 0 PLC ± - 1 PLC ± - 2 PLC ± .005 3 PLC ± - 4 PLC ± - ANGLES ± - FINISH -		APVD -	NAME RECEPTACLE ASSEMBLY, 23-24, STANDARD SEX, POSTED CONTACTS, CPC	
MATERIAL PIN: BRASS RECEPTACLE: NYLON, BLACK		PRODUCT SPEC 108-10024	APPLICATION SPEC -	RESTRICTED TO -
		WEIGHT -	SIZE A2	CAGE CODE 00779
		CUSTOMER DRAWING	DRAWING NO C=213798	SCALE 2:1
			SHEET 2 of 2	REV C

213798