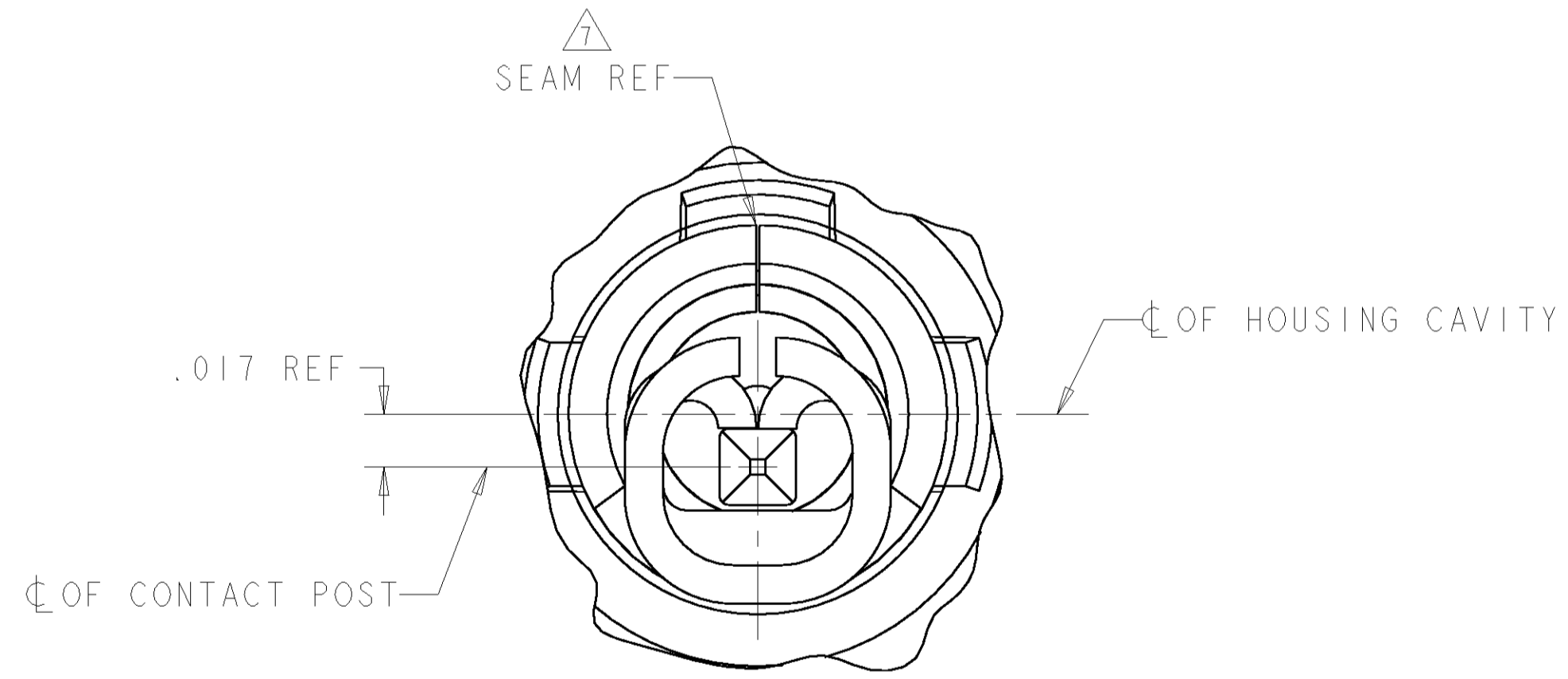
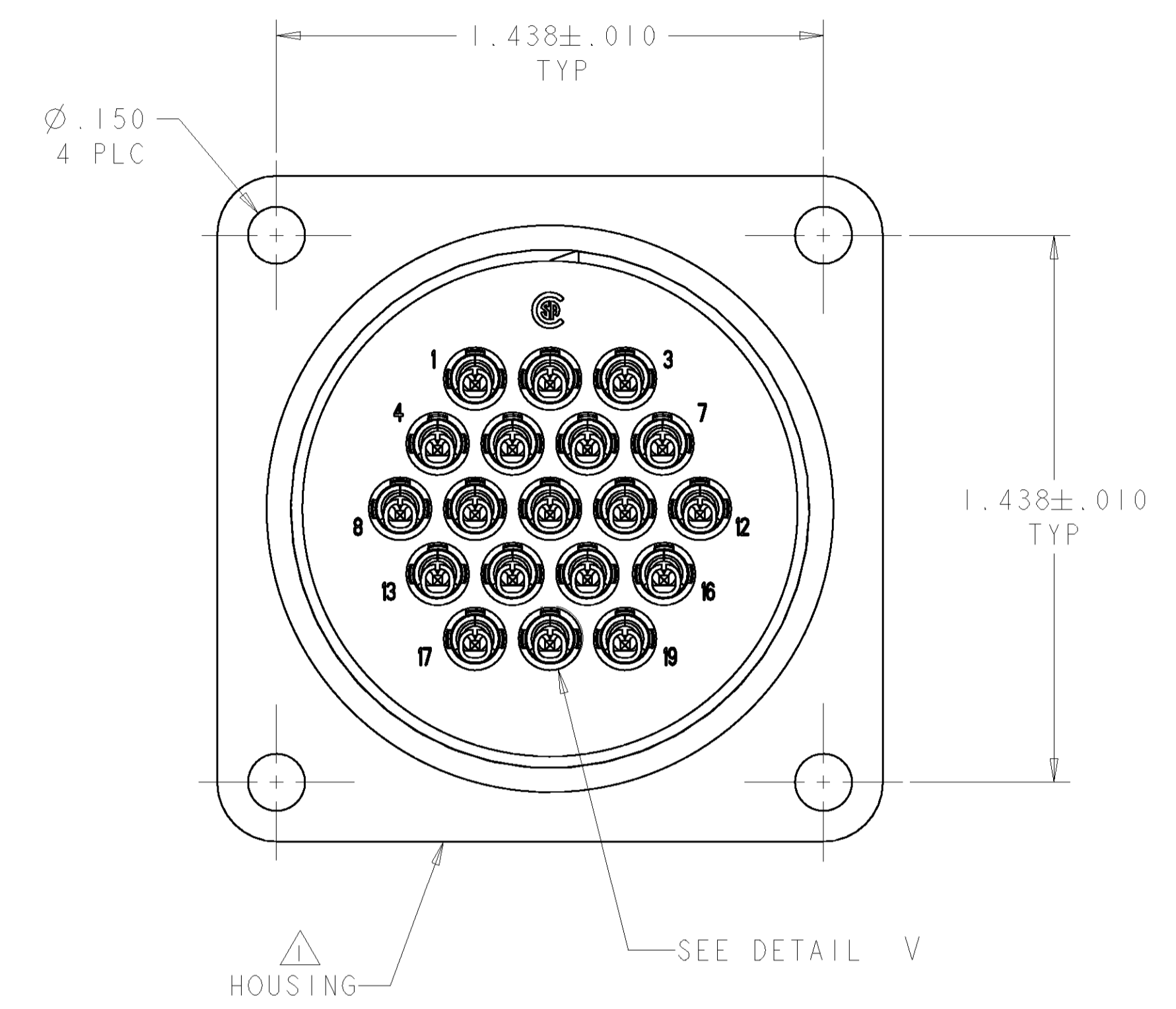
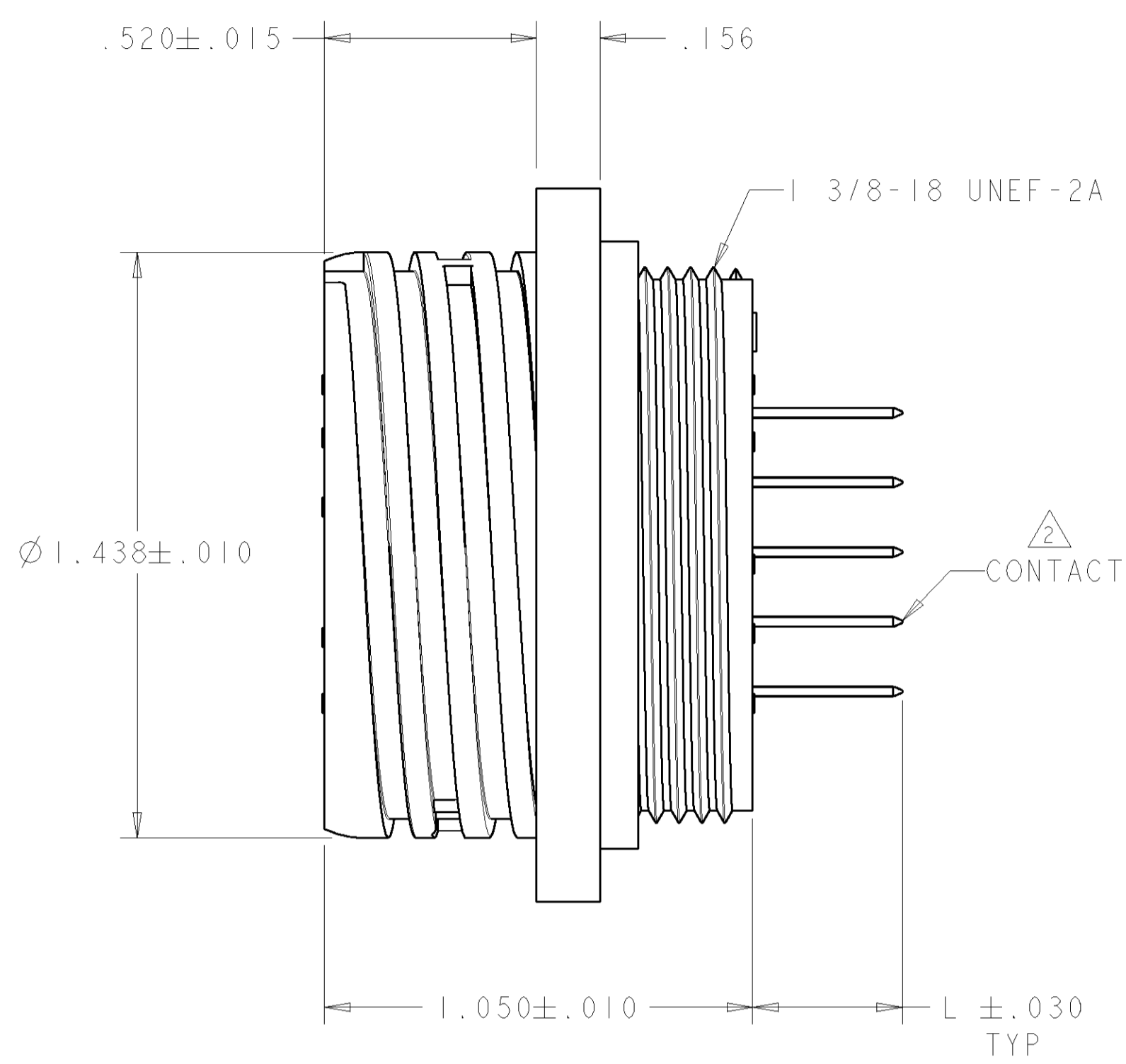
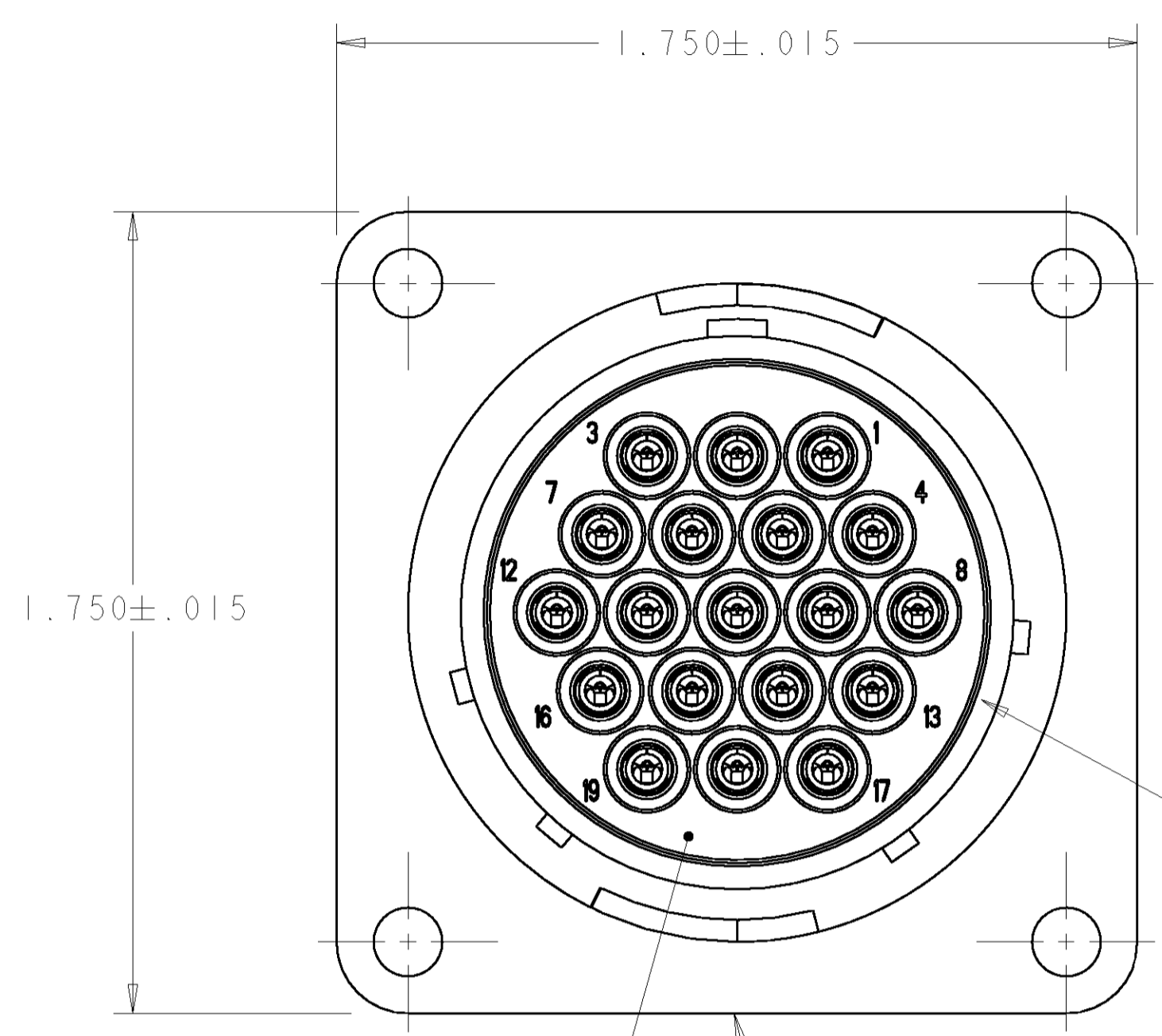


LOC		DIST		REVISIONS			
FT	0	P	LTR	DESCRIPTION	DATE	DRN	APVD
		L		REVISED ECO-06-026317	10NOV2006	SW	SH



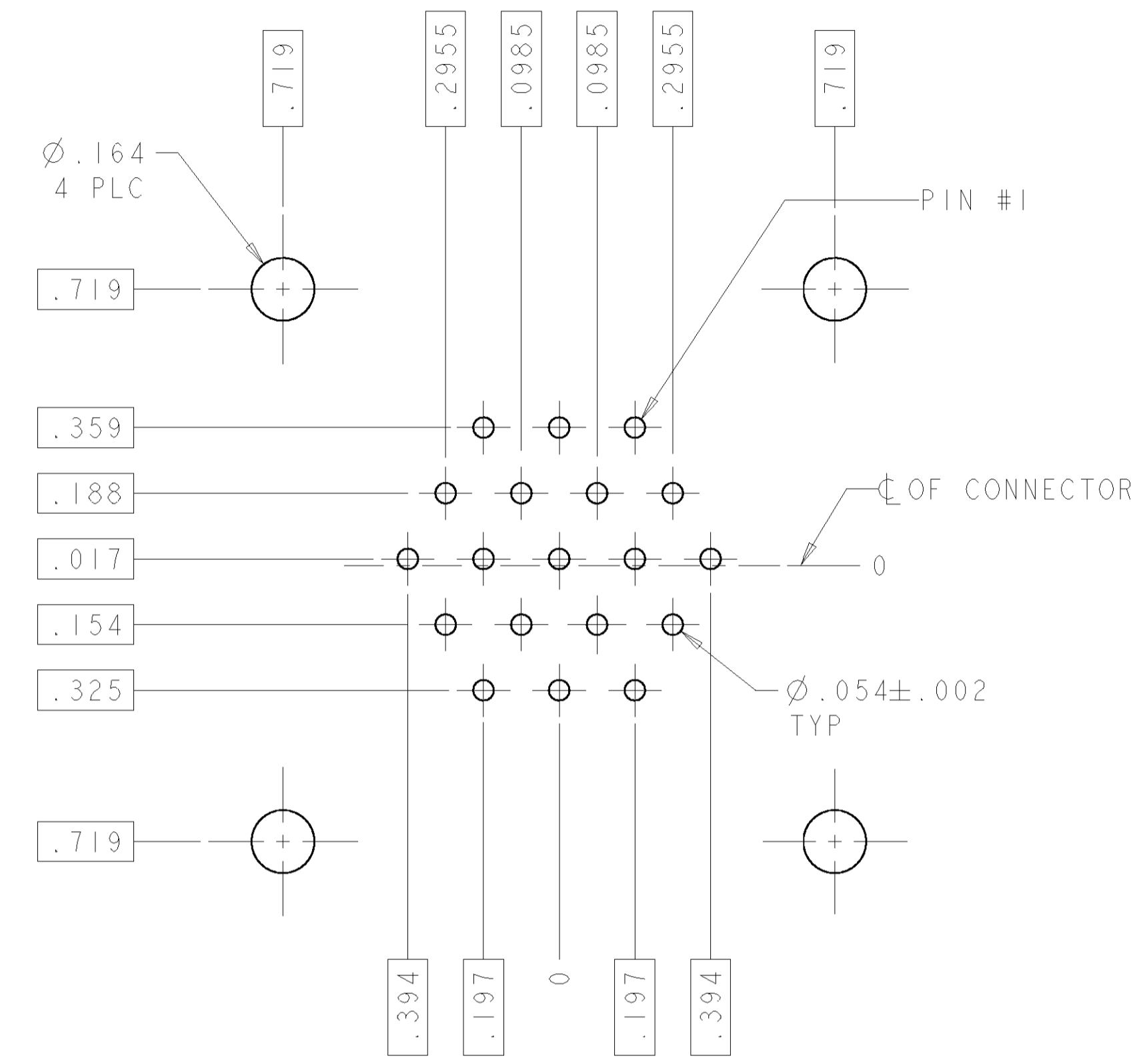
DETAIL V  
SCALE 20:1

- △ HOUSING: NYLON, UL 94 V-0 RATED, COLOR: BLACK.
- △ CONTACT:  
BODY - BRASS, .000100 MIN TIN-LEAD OVER .000050 MIN NICKEL.  
POST - BRASS, .000100 MIN TIN-LEAD OVER .000050 MIN NICKEL.
- △ CONTACT:  
BODY - BRASS, .000100 MIN TIN-LEAD OVER .000050 MIN NICKEL.  
POST - BRASS, .000030 MIN GOLD OVER .000050 MIN NICKEL.
- △ CONTACT:  
BODY - BRASS, .000030 MIN GOLD OVER .000030 MIN NICKEL.  
POST - BRASS, .000100 MIN TIN-LEAD OVER .000050 MIN NICKEL.
- △ CONTACT:  
BODY - BRASS, .000100 MIN TIN OVER .000050 MIN NICKEL.  
POST - BRASS, .000100 MIN TIN OVER .000050 MIN NICKEL.
- △ PERIPHERAL SEAL - ELASTOMER, COLOR: GRAY.
- △ .009 MAXIMUM CONTACT LEAD-IN SEAM GAP PERMISSIBLE ON MATING FACE END.

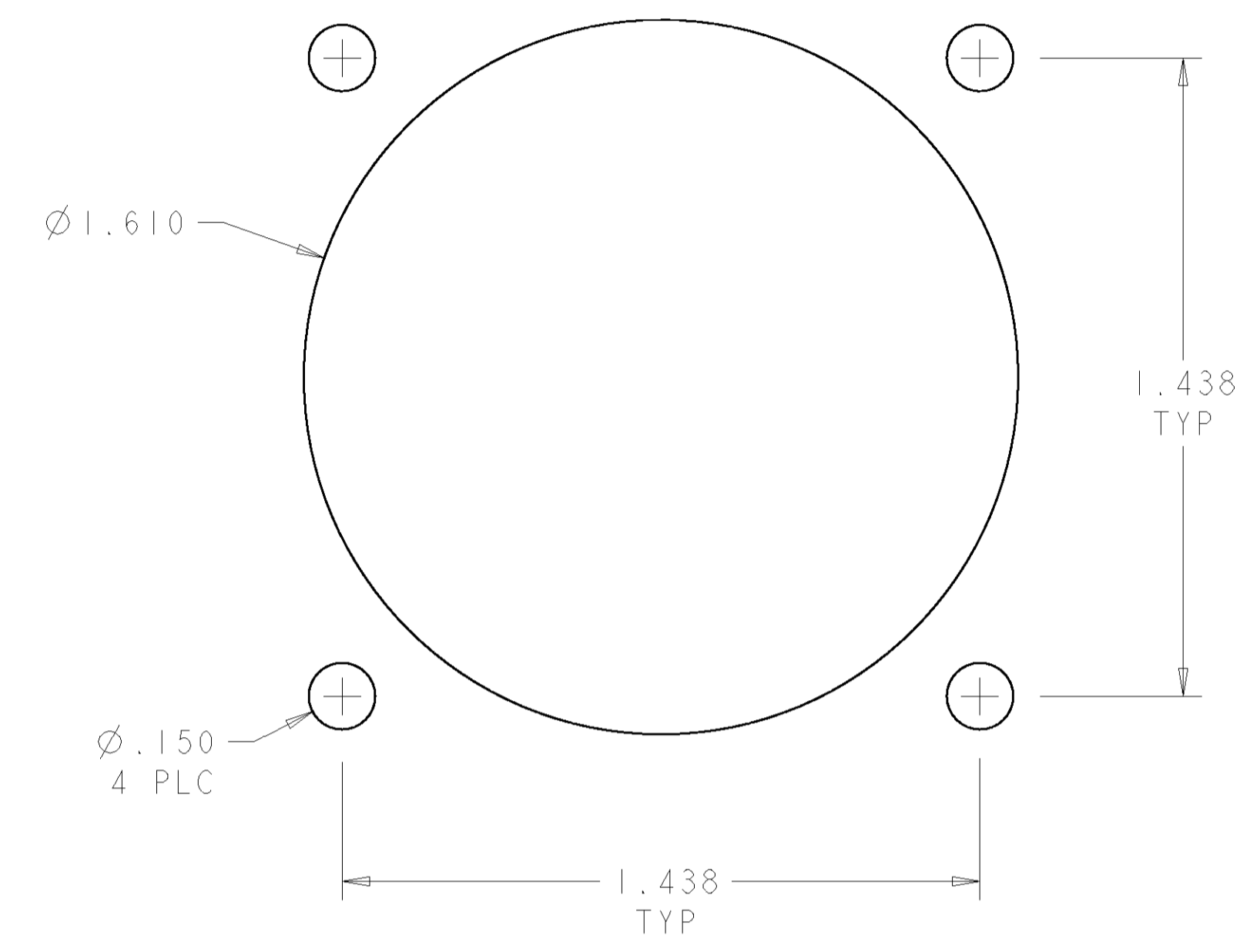
.368	△5	YES	ALL	213827-8
.368	△5	YES	1-8, 10-19	213827-7
.368	△2	NO	ALL	213827-6
.119	△4	NO	ALL	213827-5
.368	△3	YES	ALL	213827-4
.368	△2	YES	1-8, 10-19	213827-2
.368	△2	YES	ALL	213827-1
L	CONTACT FINISH	PERIPHERAL SEAL	SELECT LOADED IN POSITIONS	PART NUMBER

DIMENSIONS: INCHES		TOLERANCES UNLESS OTHERWISE SPECIFIED:		DWN S. WELDON Z1MAY2003 CHK S. HEADER Z1MAY2003 APPD S. HEADER Z1MAY2003		Tyco Electronics Harrisburg, PA 17105-3608	
		0 PLC ±.0 1 PLC ±.00 2 PLC ±.00 3 PLC ±.010 4 PLC ±.0000 ANGLES ±.0000		PRODUCT SPEC 108-10024 APPLICATION SPEC 114-10038 WEIGHT - CUSTOMER DRAWING		NAME RECEPTACLE ASSEMBLY, POSTED, REVERSE SEX, SERIES 1, 23-19, CPC SIZE CAGE CODE DRAWING NO RESTRICTED TO A1 00779 C=213827 - SCALE 3:1 SHEET 1 OF 2 REV L	

LOC		DIST		REVISIONS			
FT	0	P	LTR	DESCRIPTION	DATE	DWN	APVD
-	-	-	-	SEE SHEET 1	-	-	-



RECOMMENDED PC BOARD LAYOUT



RECOMMENDED PC BOARD LAYOUT  
 .125 MAX PANEL THICKNESS

<small>THIS DRAWING IS UNPUBLISHED. RELEASED FOR PUBLICATION. IT IS THE PROPERTY OF TYCO ELECTRONICS CORPORATION. IT IS TO BE USED ONLY FOR THE PURPOSES AND CONDITIONS SPECIFIED IN THE DRAWING. NO PARTS OF THIS DRAWING ARE TO BE REPRODUCED OR TRANSMITTED IN ANY FORM OR BY ANY MEANS, ELECTRONIC OR MECHANICAL, INCLUDING PHOTOCOPYING, RECORDING, OR BY ANY INFORMATION STORAGE AND RETRIEVAL SYSTEM, WITHOUT PERMISSION IN WRITING FROM TYCO ELECTRONICS CORPORATION.</small>		DWN S. WELDON ZIMAY2003 CHK S. HEADER ZIMAY2003 APVD S. HEADER ZIMAY2003	Tyco Electronics Harrisburg, PA 17105-3608
DIMENSIONS: INCHES	TOLERANCES UNLESS OTHERWISE SPECIFIED: 0 PLC ±.0 1 PLC ±0.00 2 PLC ±0.00 3 PLC ±0.010 4 PLC ±0.0000 ANGLES ±.	NAME RECEPTACLE ASSEMBLY, POSTED, REVERSE SEX, SERIES 1, 23-19, CPC PRODUCT SPEC - APPLICATION SPEC - WEIGHT - CUSTOMER DRAWING	SIZE A1 CAGE CODE 00779 DRAWING NO. C=213827 RESTRICTED TO - SCALE 3:1 SHEET 2 OF 2 REV L