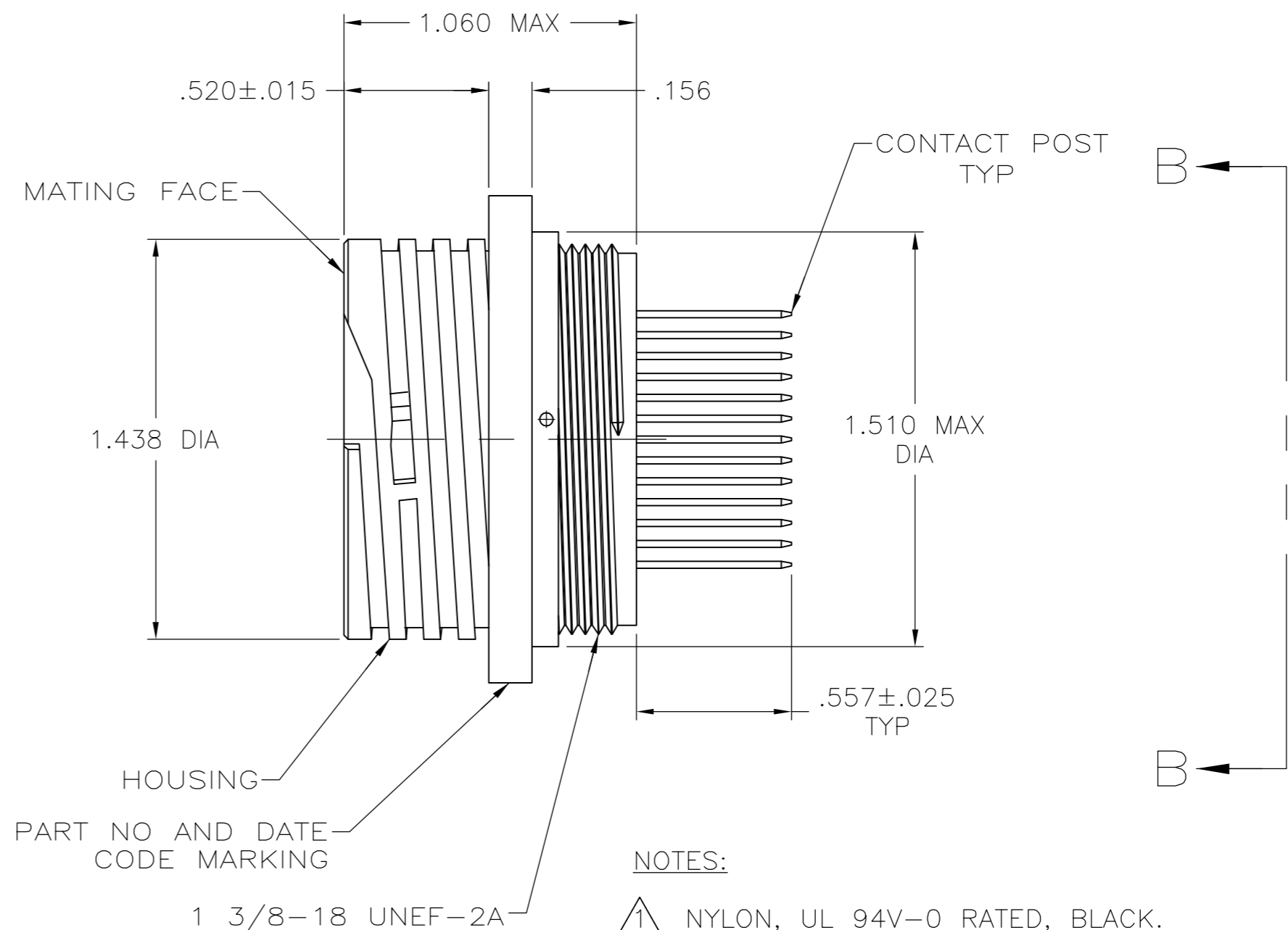
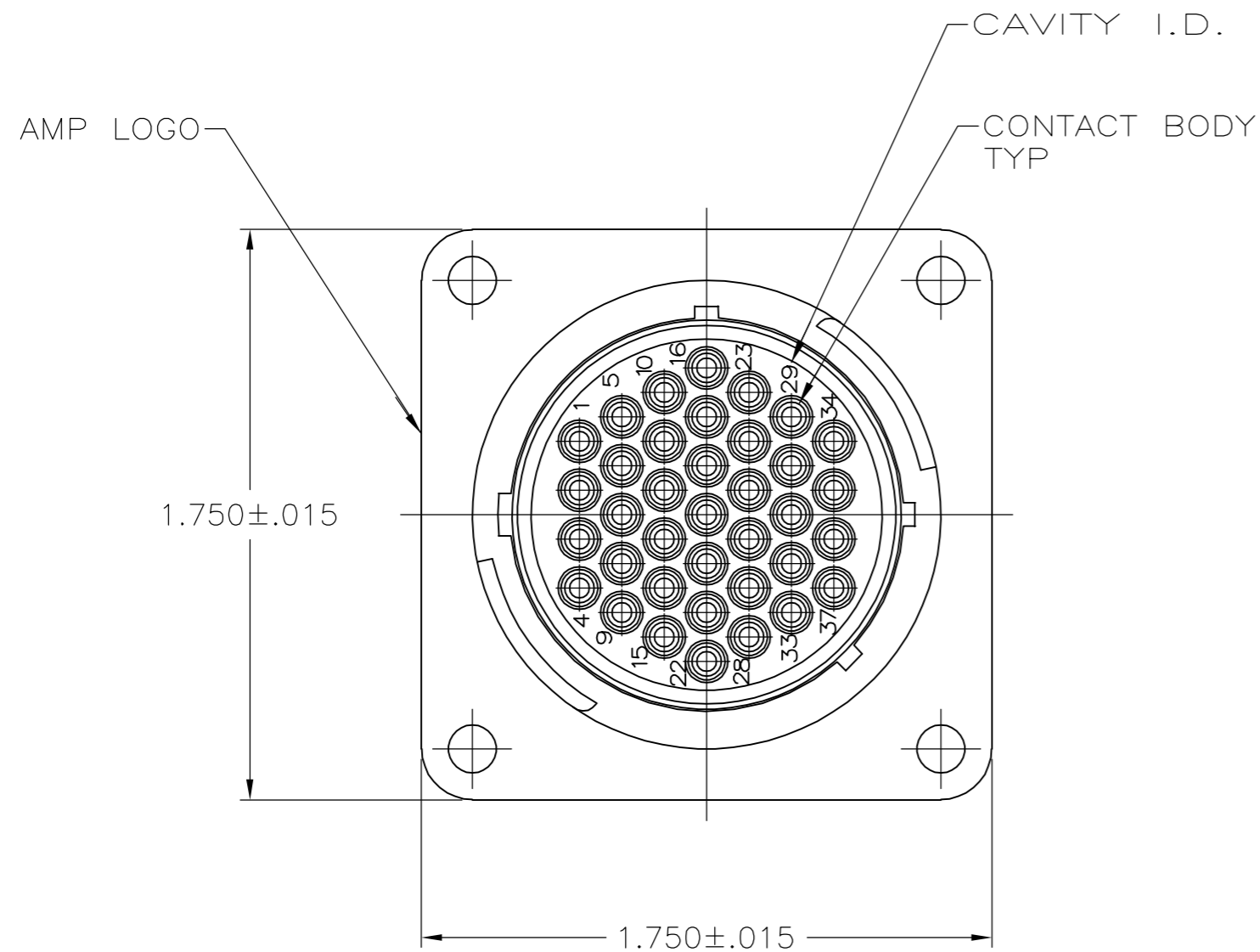
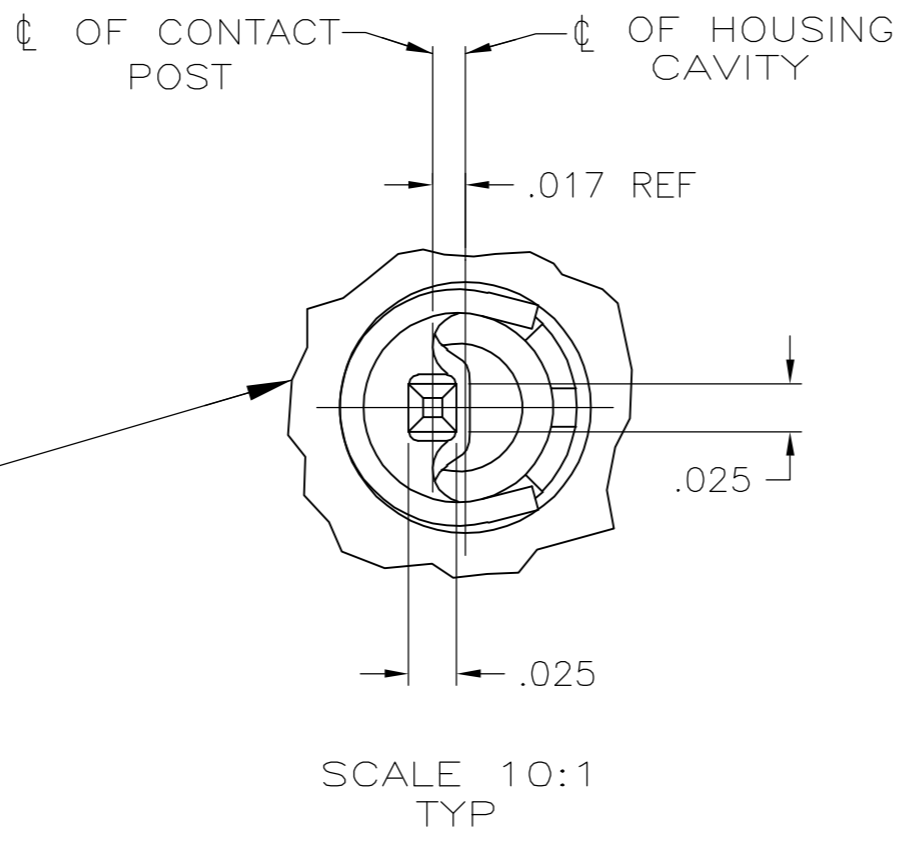
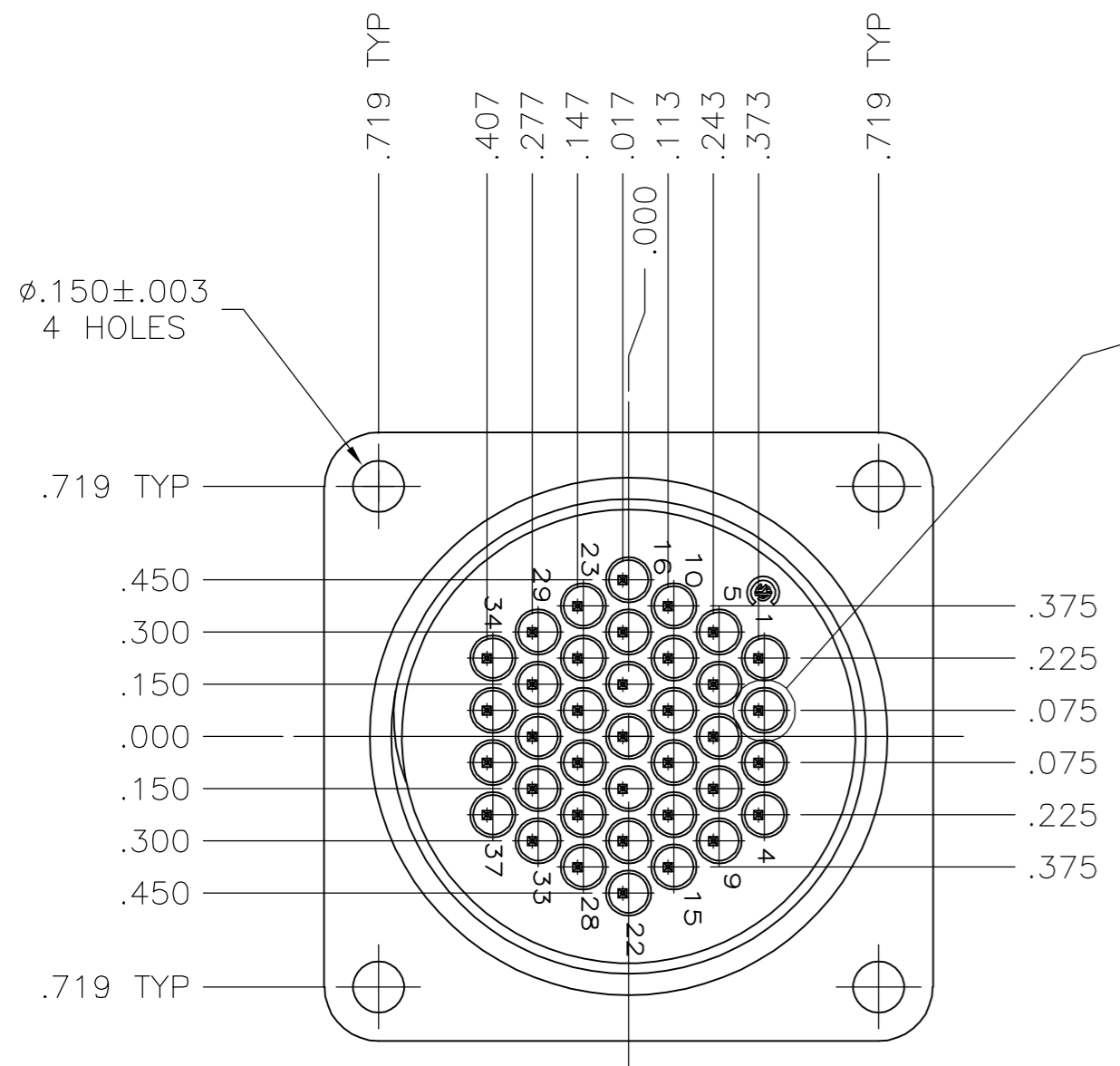


THIS DRAWING IS UNPUBLISHED. RELEASED FOR PUBLICATION
 © COPYRIGHT BY TYCO ELECTRONICS CORPORATION. ALL RIGHTS RESERVED.

LOC		DIST		REVISIONS			
P	LTR	DESCRIPTION	DATE	DWN	APVD		
FT	0						
		D	REVISED PER ECO-07-007552	4/20/07	SS	SH	



- NOTES:**
- ① NYLON, UL 94V-0 RATED, BLACK.
 - ② STAINLESS STEEL.
 - ③ BRASS.
 - ④ CONTACT BODY: .000030 MIN GOLD FOR A LENGTH OF .200 MIN FROM MATING END. GOLD FLASH ON REMAINDER, BOTH OVER .000030 MIN NICKEL. CONTACT POST: .000100 MIN TIN-LEAD OVER .000050 MIN NICKEL.
 - 5. RECOMMENDED PC BOARD HOLE SIZE FOR CONTACT POST = .035 ± .003 DIA.
 - ⑥ CONTACT BODY: .000030 MIN GOLD FOR A LENGTH OF .200 MIN FROM MATING END. GOLD FLASH ON REMAINDER, BOTH OVER .000030 MIN NICKEL. CONTACT POST: .000100 MIN TIN OVER .000050 MIN NICKEL.
 - ⑦ SELECT LOAD: NO CONTACTS LOADED IN POSITIONS 10 AND 32.



SCALE 10:1 TYP

VIEW B-B

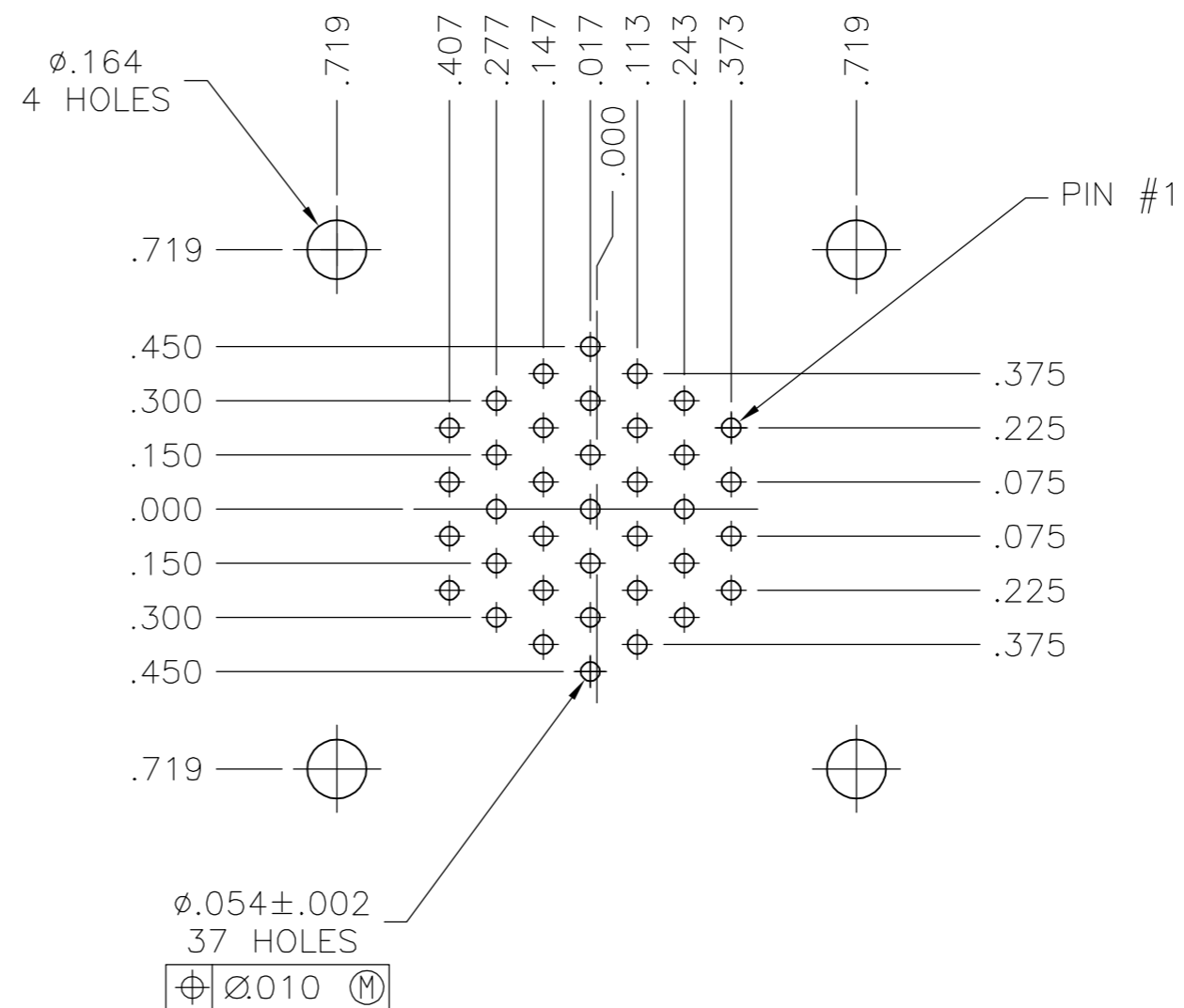
④	NO	213856-6
⑥	NO	213856-4
④	YES	213856-2
④	NO	213856-1
CONTACT FINISH	PERIPHERAL SEAL	PART NUMBER

THIS DRAWING IS A CONTROLLED DOCUMENT.		DWN D.HARDY 01-03-95	Tyco Electronics Corporation Harrisburg, PA 17105-3608	
DIMENSIONS: INCHES		CHK R.STONE 01-09-95		
TOLERANCES UNLESS OTHERWISE SPECIFIED:		APVD -	NAME	
0 PLC ± -		PRODUCT SPEC 108-10024	RECEPTACLE ASSEMBLY, POSTED, REVERSE SEX, 23-37, CPC	
1 PLC ± -		APPLICATION SPEC 114-10038	SIZE A2	CAGE CODE 00779
2 PLC ± -		WEIGHT -	DRAWING NO C=213856	RESTRICTED TO -
3 PLC ± .010		CUSTOMER DRAWING	SCALE 2:1	SHEET 1 of 2
4 PLC ± -			REV D	
ANGLES ± -				
FINISH MATERIAL: ①				
CONTACT SPRING: ②				
CONTACT BODY & POST: ③				

213856

THIS DRAWING IS UNPUBLISHED. RELEASED FOR PUBLICATION
 © COPYRIGHT BY TYCO ELECTRONICS CORPORATION. ALL RIGHTS RESERVED.

LOC	DIST	REVISIONS					
FT	0	P	LTR	DESCRIPTION	DATE	DWN	APVD
		-		SEE SHEET 1	-	-	-



RECOMMENDED P.C. BOARD LAYOUT

THIS DRAWING IS A CONTROLLED DOCUMENT.		DWN D.HARDY 01-03-95	Tyco Electronics Corporation Harrisburg, PA 17105-3608	
DIMENSIONS: INCHES		CHK R.STONE 01-09-95		
		TOLERANCES UNLESS OTHERWISE SPECIFIED: 0 PLC ± - 1 PLC ± - 2 PLC ± .01 3 PLC ± - 4 PLC ± - ANGLES ± -		APVD -
MATERIAL: HOUSING: CONTACT SPRING: CONTACT BODY & POST:		FINISH CONTACT:		NAME RECEPTACLE ASSEMBLY, POSTED, REVERSE SEX, 23-37, CPC
PRODUCT SPEC 108-10024 APPLICATION SPEC 114-10038		SIZE A2	CAGE CODE 00779	DRAWING NO C=213856
WEIGHT -		RESTRICTED TO -		SCALE 2:1
CUSTOMER DRAWING		SHEET 2 of 2		REV D