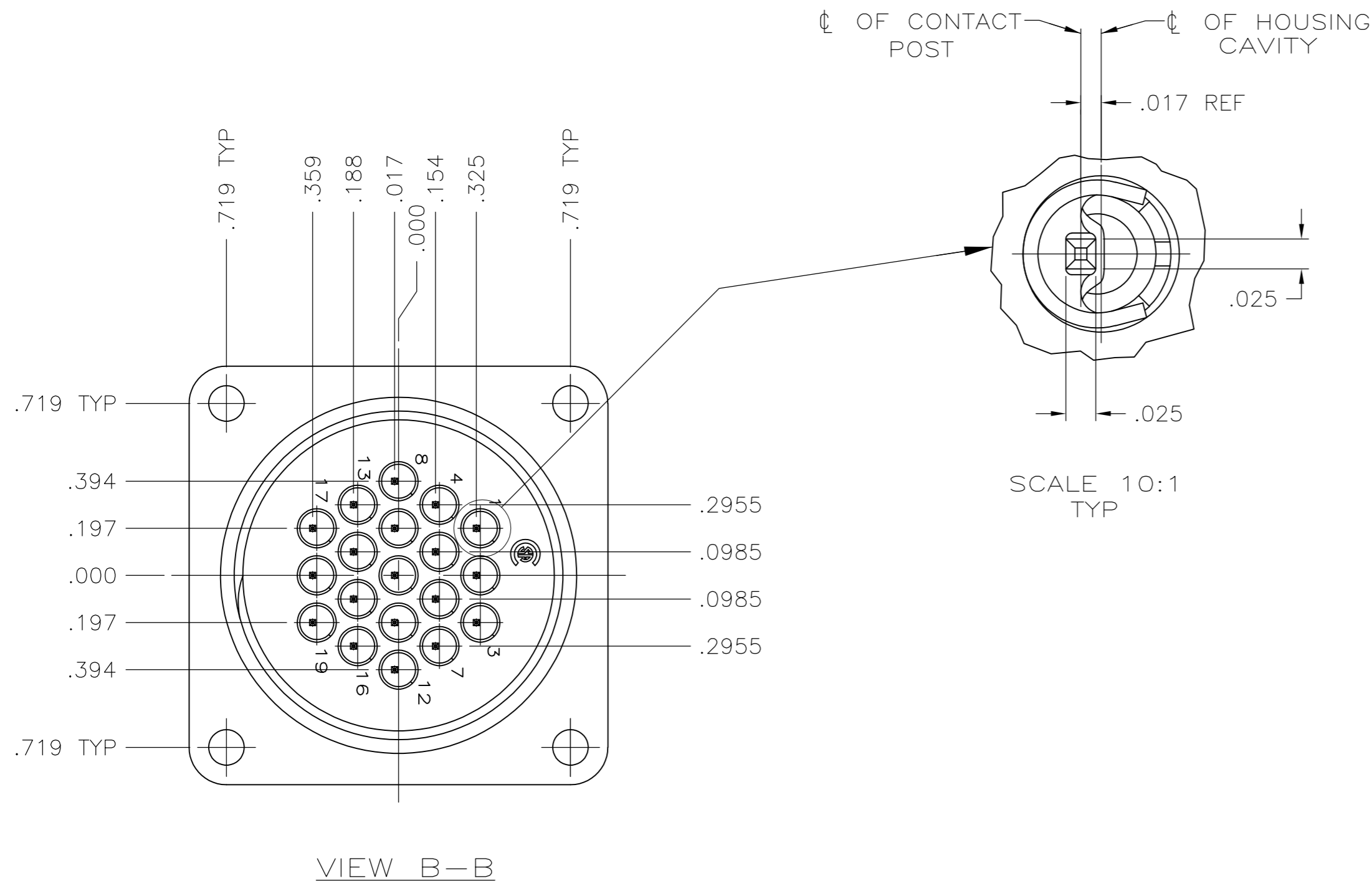
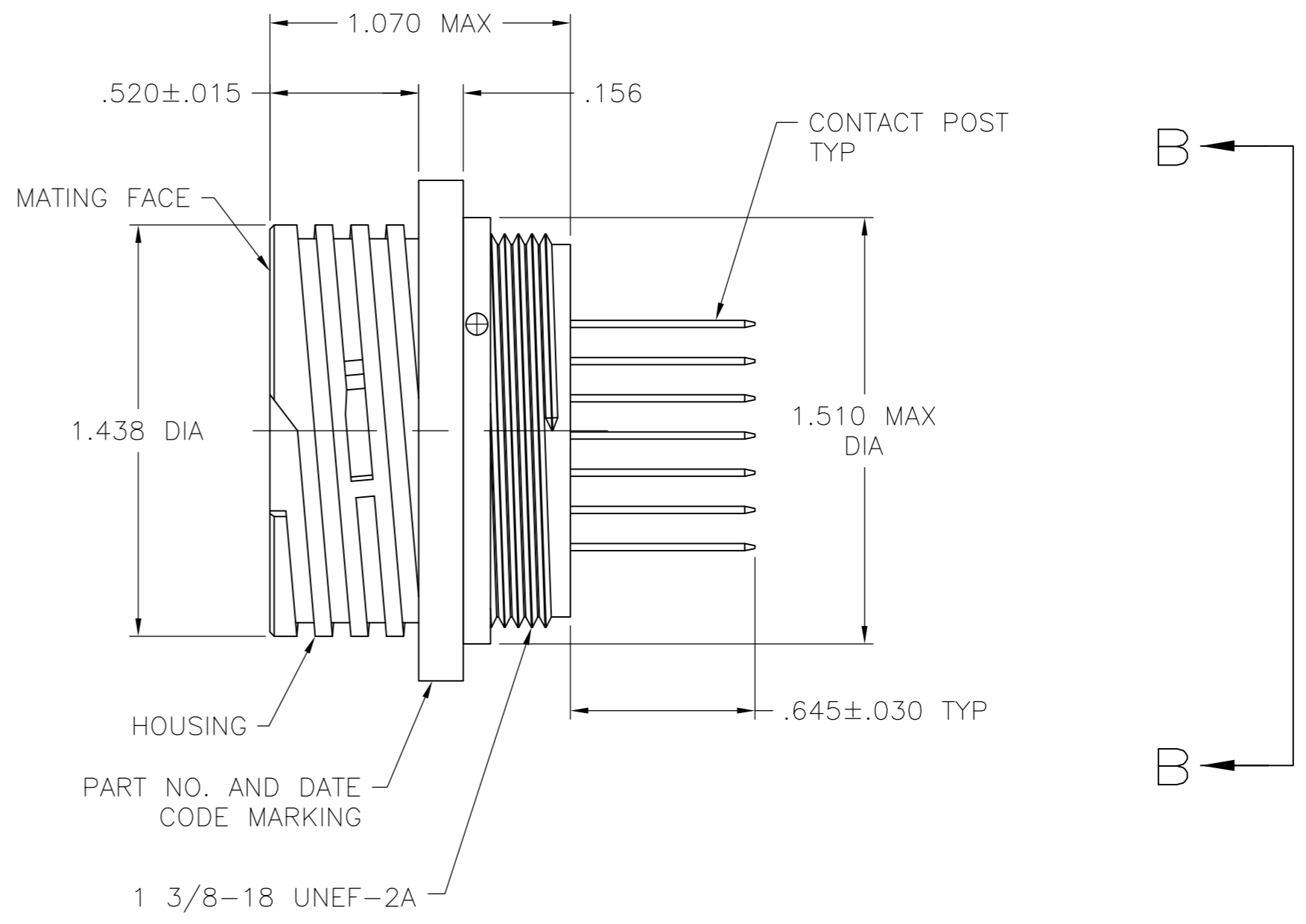
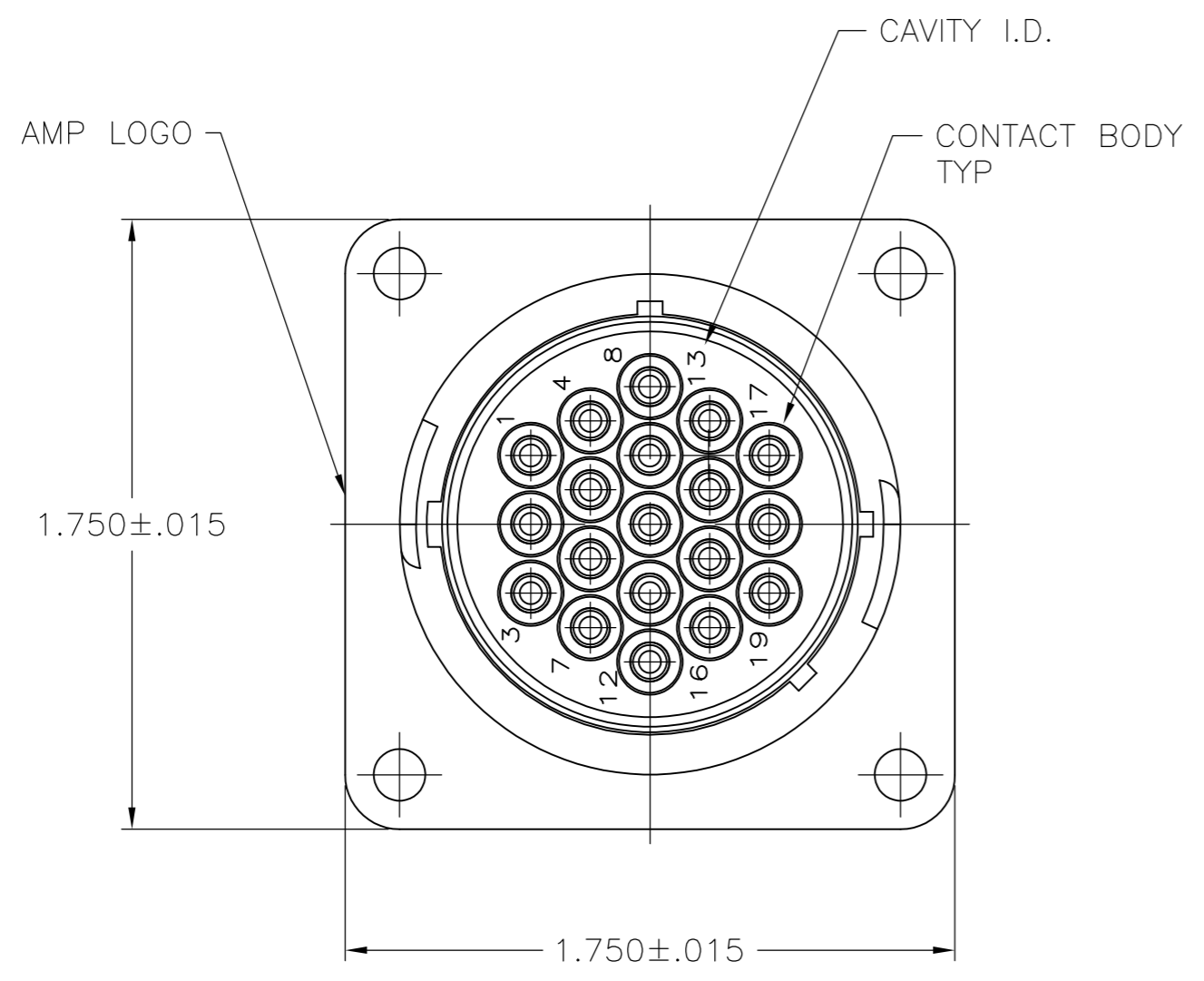


THIS DRAWING IS UNPUBLISHED. RELEASED FOR PUBLICATION
 © COPYRIGHT BY TYCO ELECTRONICS CORPORATION. ALL RIGHTS RESERVED.

LOC		DIST		REVISIONS			
P	LTR	DESCRIPTION	DATE	DWN	APVD		
FT	4						
		D	REVISED PER ECO-08-008572	10APR08	HMR	SH	



- 1 NYLON, UL 94V-0 RATED, BLACK.
- 2 STAINLESS STEEL.
- 3 BRASS.
- 4 CONTACT BODY: .000030 MIN GOLD FOR A LENGTH OF .200 MIN FROM MATING END. GOLD FLASH ON REMAINDER, BOTH OVER .000030 MIN NICKEL. CONTACT POST: .000100 MIN TIN-LEAD OVER .000050 MIN NICKEL.
- 5 RECOMMENDED PC BOARD HOLE SIZE FOR CONTACT POST = .035±.003 DIA.

NO	213858-3
YES	213858-2
NO	213858-1
PERIPHERAL SEAL	PART NUMBER

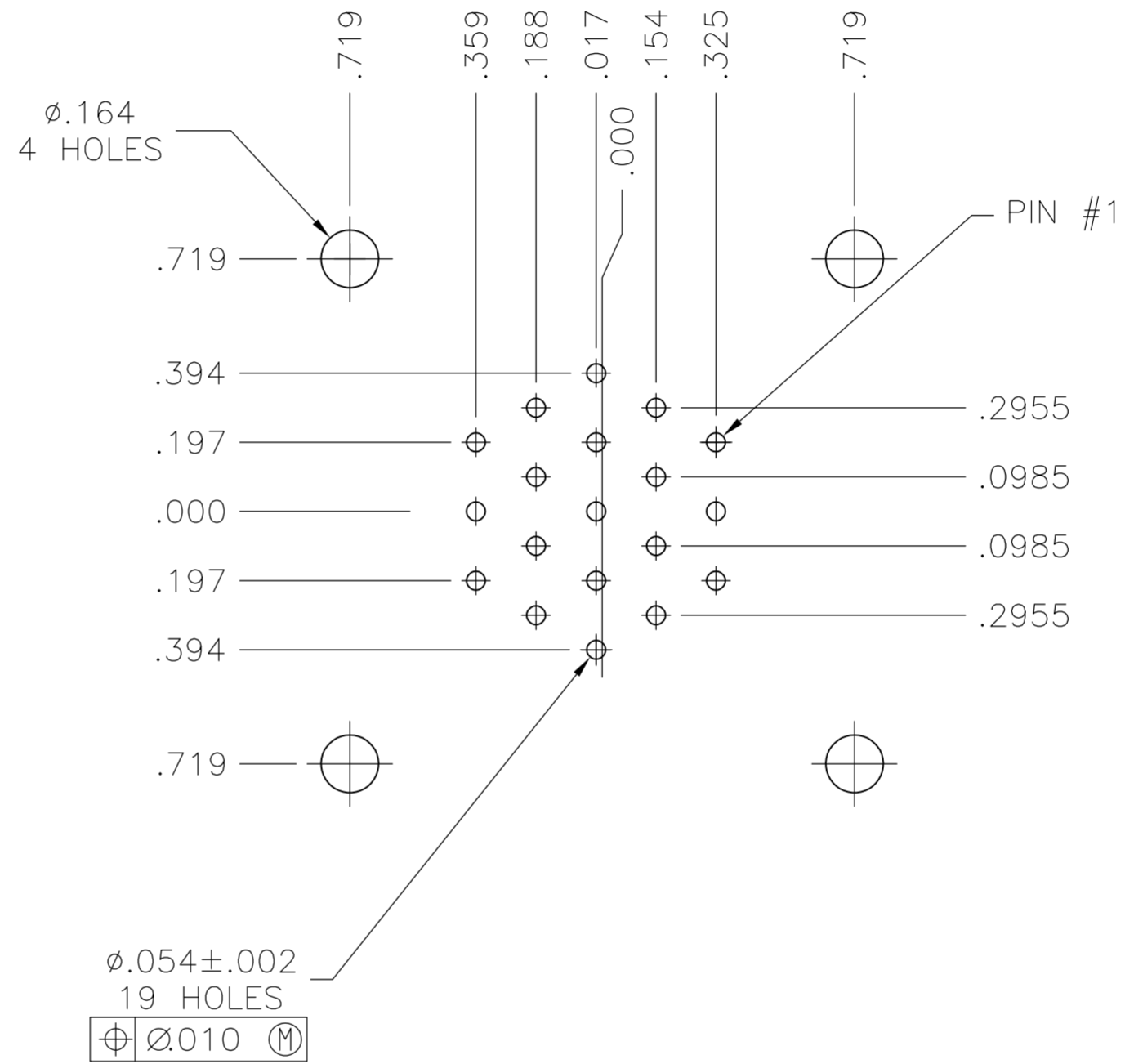
THIS DRAWING IS A CONTROLLED DOCUMENT.		DWN	D.HARDY	01-06-95	Tyco Electronics Corporation Harrisburg, PA 17105
DIMENSIONS: INCHES		CHK	R.STONE	01-09-95	
TOLERANCES UNLESS OTHERWISE SPECIFIED:		APVD	-	-	NAME
0 PLC ± -		PRODUCT SPEC		108-10024	
1 PLC ± -		APPLICATION SPEC		114-10038	
2 PLC ± .01		WEIGHT	-		
3 PLC ± .005		SCALE	2:1		
4 PLC ± -		SHEET	1 of 2		
ANGLES ± -		REV	D		
FINISH CONTACT: ⚠		CUSTOMER DRAWING			
MATERIAL HOUSING: ⚠		SIZE			
CONTACT SPRING: ⚠		CAGE CODE			
CONTACT BODY & POST: ⚠		DRAWING NO			
		RESTRICTED TO			

213858

A

THIS DRAWING IS UNPUBLISHED. RELEASED FOR PUBLICATION
 © COPYRIGHT BY TYCO ELECTRONICS CORPORATION. ALL RIGHTS RESERVED.

LOC	DIST	REVISIONS					
FT	4	P	LTR	DESCRIPTION	DATE	DWN	APVD
		-		SEE SHEET 1	-	-	-



RECOMMENDED P.C. BOARD LAYOUT

THIS DRAWING IS A CONTROLLED DOCUMENT.		DWN D.HARDY 01-06-95	Tyco Electronics Corporation Harrisburg, PA 17105	
DIMENSIONS: INCHES		CHK R.STONE 01-09-95	NAME RECEPTACLE ASSEMBLY, POSTED, REVERSE SEX, 23-19, CPC	
TOLERANCES UNLESS OTHERWISE SPECIFIED: 0 PLC ± - 1 PLC ± - 2 PLC ± .01 3 PLC ± .005 4 PLC ± - ANGLES ± -		APVD -	PRODUCT SPEC 108-10024	RESTRICTED TO -
MATERIAL: HOUSING: Δ CONTACT SPRING: Δ CONTACT BODY & POST: Δ		APPLICATION SPEC 114-10038	SIZE A2	CAGE CODE 00779
FINISH CONTACT: Δ		WEIGHT -	DRAWING NO C=213858	SCALE 2:1
CUSTOMER DRAWING			SHEET 2 of 2	REV D