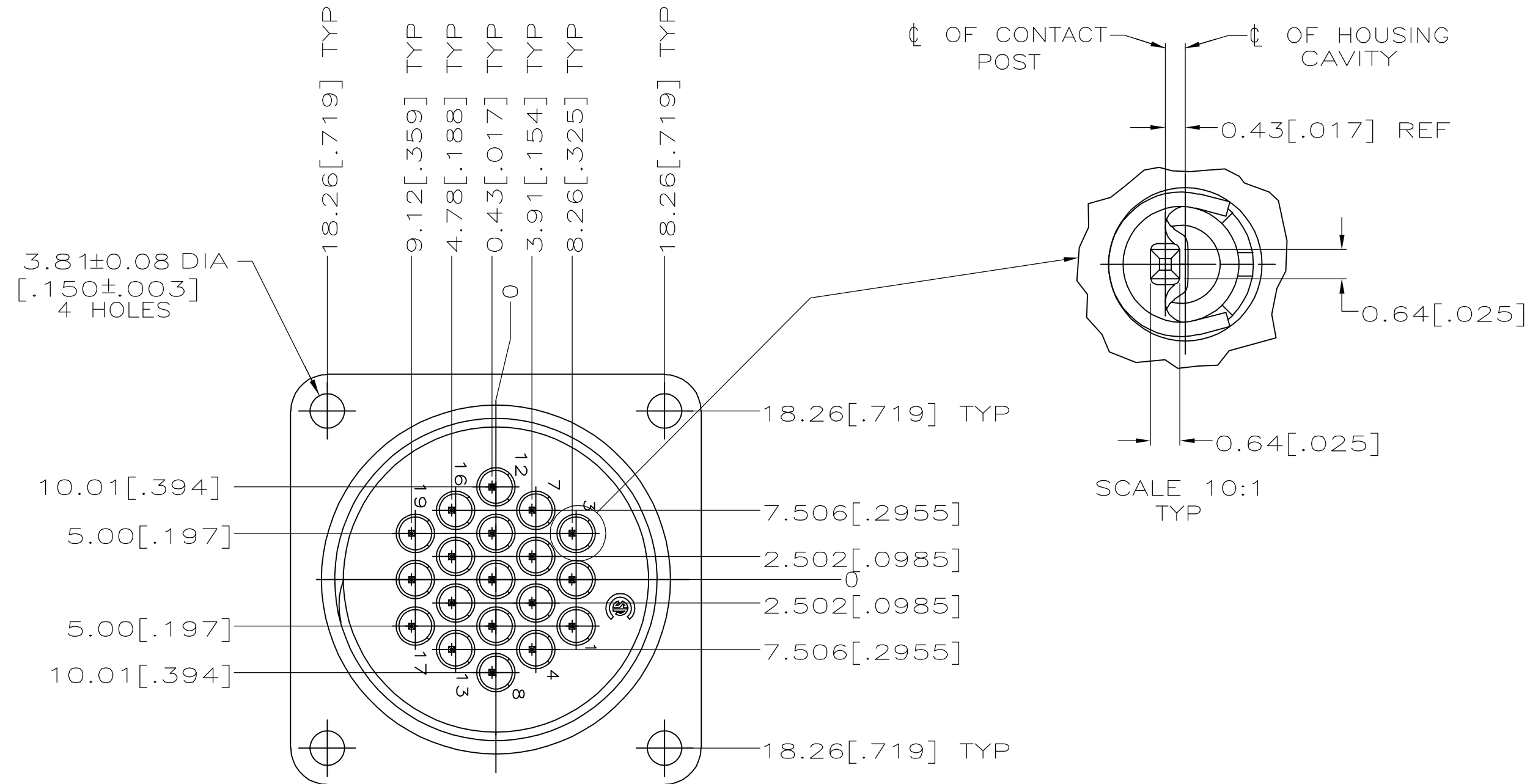
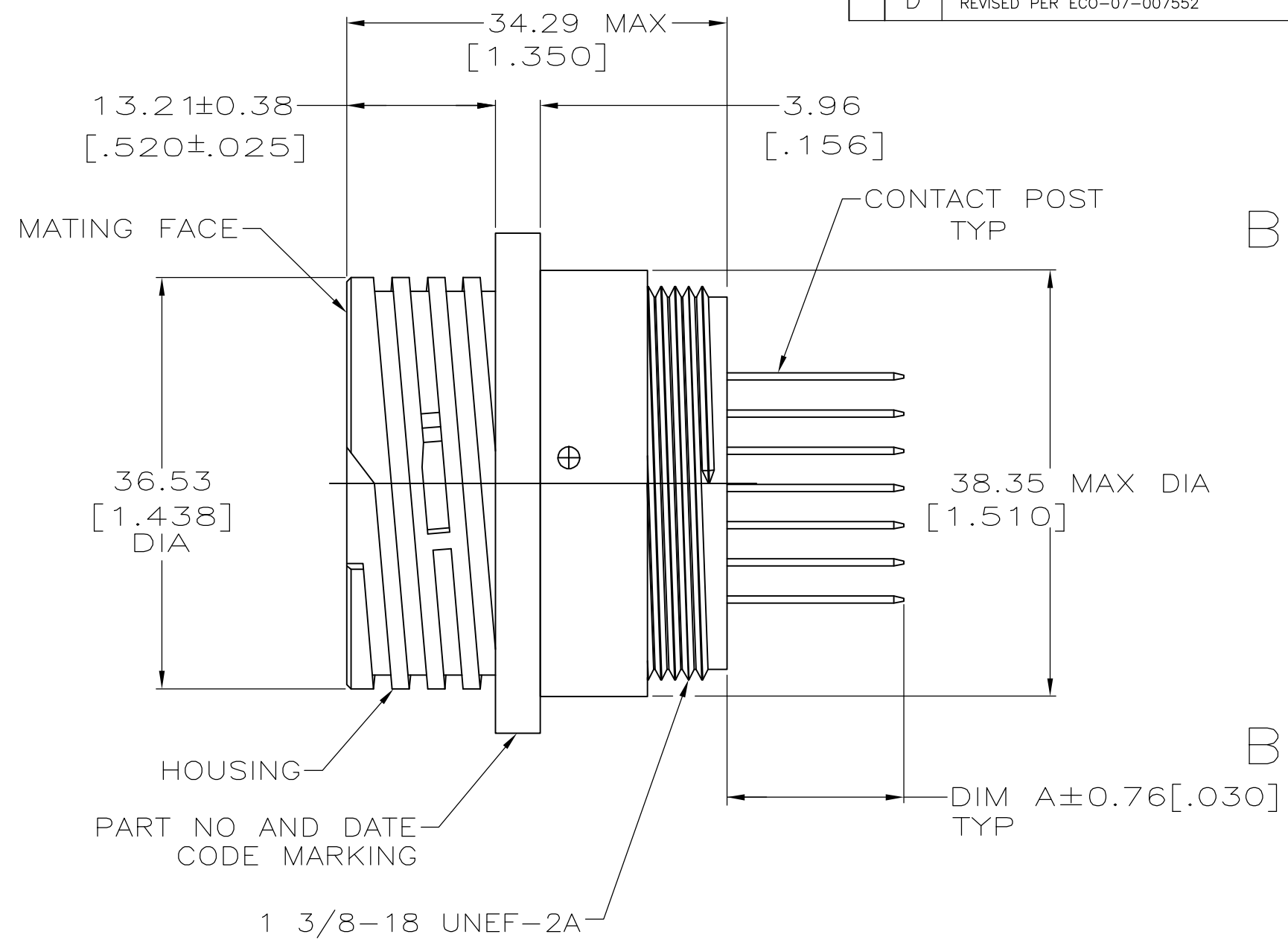
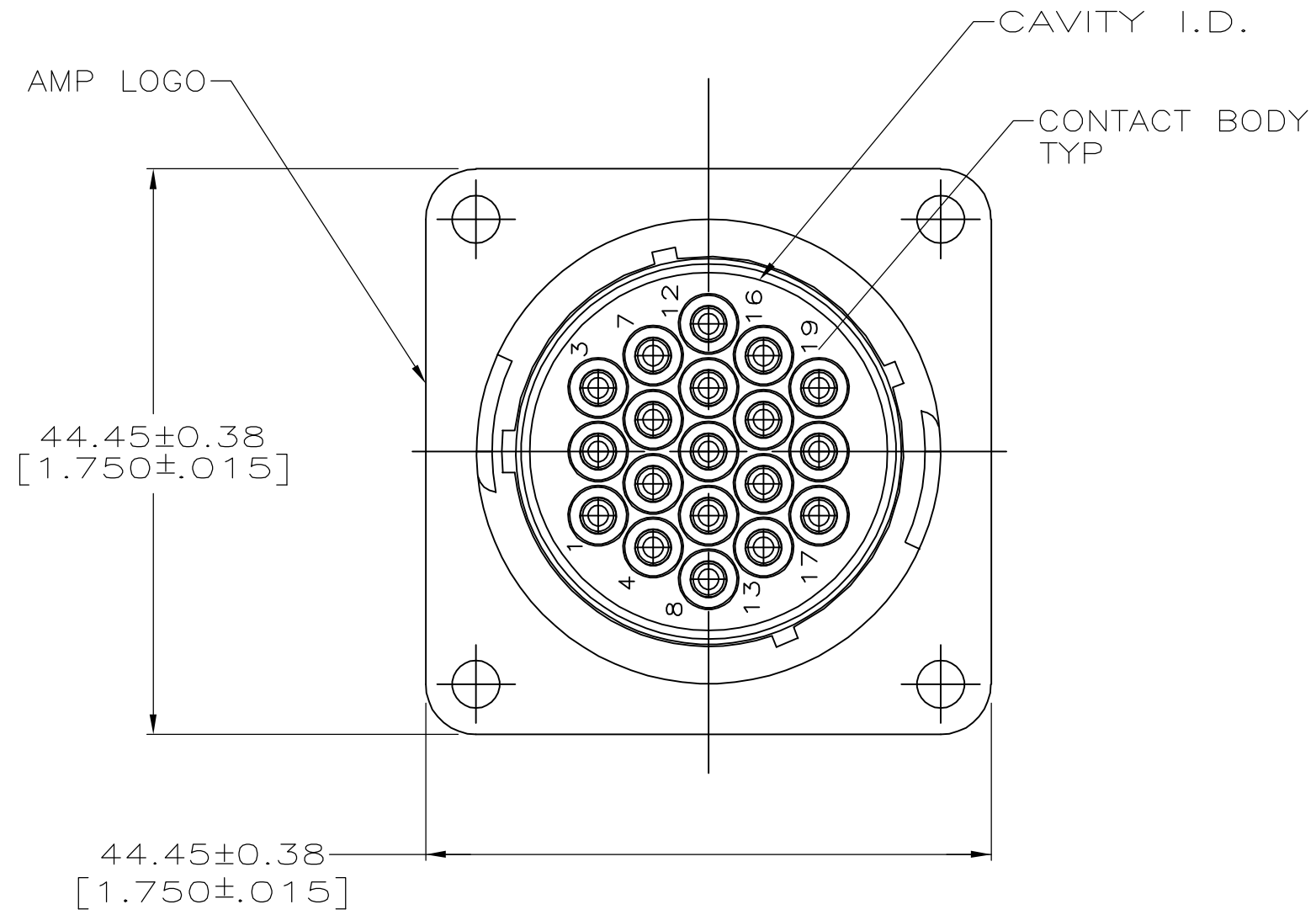


THIS DRAWING IS UNPUBLISHED. RELEASED FOR PUBLICATION
 © COPYRIGHT BY TYCO ELECTRONICS CORPORATION. ALL RIGHTS RESERVED.

LOC		DIST		REVISIONS			
P	LTR	DESCRIPTION	DATE	DWN	APVD		
FT	0						
		D	REVISED PER ECO-07-007552	4/20/07	SS	SH	



VIEW B-B

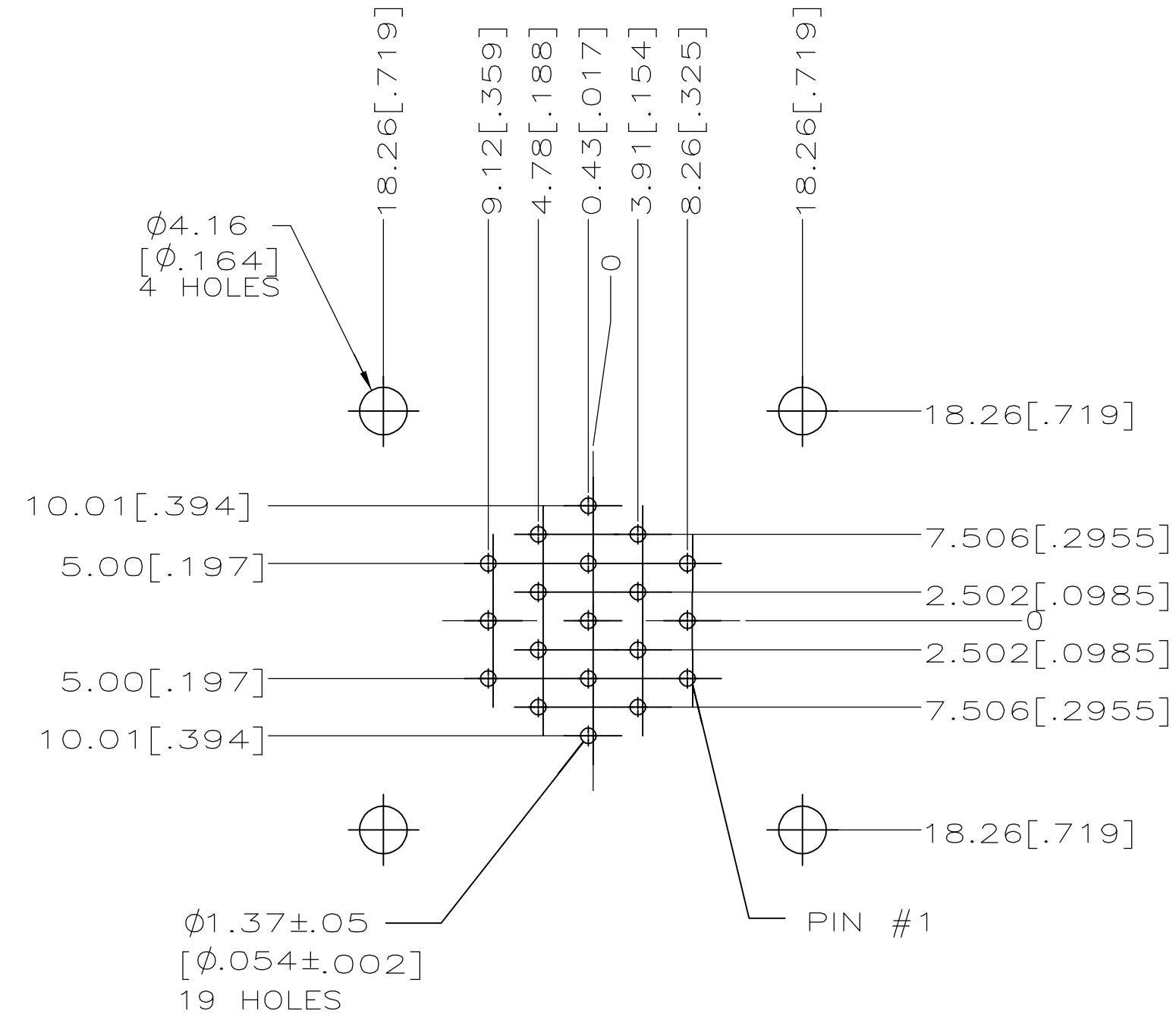
6.20 [.244]	Δ	213859-3
15.70 [.618]	Δ	213859-2
15.70 [.618]	Δ	213859-1
DIM A	CONTACT FINISH	PART NUMBER

THIS DRAWING IS A CONTROLLED DOCUMENT.		DWN D.HARDY 01-06-95	Tyco Electronics Corporation	
DIMENSIONS: mm [INCHES]		CHK R.STONE 01-09-95	Harrisburg, PA 17105-3608	
TOLERANCES UNLESS OTHERWISE SPECIFIED:		APVD -	NAME	
0 PLC ± -		PRODUCT SPEC	RECEPTACLE ASSEMBLY, POSTED, STANDARD SEX, 23-19, CPC	
1 PLC ± -		APPLICATION SPEC	-	
2 PLC ± 0.25 [.010]		108-10024	SIZE A2	CAGE CODE 00779
3 PLC ± 0.127 [.0050]		114-10038	DRAWING NO C=213859	RESTRICTED TO -
4 PLC ± -		WEIGHT -	SCALE 2:1	SHEET 1 of 2
ANGLES ± -		CUSTOMER DRAWING	REV D	
FINISH		CONTACT: SEE TABLE		
MATERIAL HOUSING: Δ				
CONTACT SPRING: Δ				
CONTACT BODY & POST: Δ				

THIS DRAWING IS UNPUBLISHED. RELEASED FOR PUBLICATION
 © COPYRIGHT BY TYCO ELECTRONICS CORPORATION. ALL RIGHTS RESERVED.

LOC		DIST		REVISIONS			
P	LTR	DESCRIPTION	DATE	DWN	APVD		
FT	0	SEE SHEET 1	-	-	-		

- ① NYLON, UL94V-0 RATED, BLACK.
- ② STAINLESS STEEL.
- ③ BRASS
- ④ CONTACT BODY: 0.76um[.000030] MIN GOLD FOR A LENGTH OF 5.08[.200] MIN FROM MATING END. GOLD FLASH ON REMAINDER, BOTH OVER 1.27um[.000050] MIN NICKEL.
CONTACT POST: 2.54um[.000100] MIN TIN-LEAD OVER 1.27um[.000050] MIN NICKEL.
- 5. RECOMMENDED PC BOARD HOLE SIZE FOR CONTACT POST = 0.89±0.08[.035±.003] DIA.
- ⑥ CONTACT BODY: 0.76um [.000030] MIN GOLD FOR A LENGTH OF 5.08 [.200] MIN FROM MATING END. GOLD FLASH ON REMAINDER, BOTH OVER 1.27um[.000050] MIN NICKEL.
CONTACT POST: 2.54um[.000100] MIN TIN OVER 1.27um[.000050] MIN NICKEL.



RECOMMENDED P.C. BOARD LAYOUT

THIS DRAWING IS A CONTROLLED DOCUMENT.		DWN D.HARDY 01-06-95	Tyco Electronics Corporation Harrisburg, PA 17105-3608	
DIMENSIONS: mm [INCHES]		CHK R.STONE 01-09-95	NAME RECEPTACLE ASSEMBLY, POSTED, STANDARD SEX, 23-19, CPC	
TOLERANCES UNLESS OTHERWISE SPECIFIED:		APVD -	PRODUCT SPEC 108-10024	
0 PLC ± - 1 PLC ± - 2 PLC ± 0.25 [.010] 3 PLC ± 0.127 [.0050] 4 PLC ± - ANGLES ± -		APPLICATION SPEC 114-10038		
MATERIAL HOUSING: ① CONTACT SPRING: ② CONTACT BODY & POST: ③		FINISH CONTACT: SEE TABLE	WEIGHT -	SIZE A2
		CAGE CODE 00779		DRAWING NO C=213859
		CUSTOMER DRAWING		RESTRICTED TO -
		SCALE 2:1		SHEET 2 OF 2
				REV D