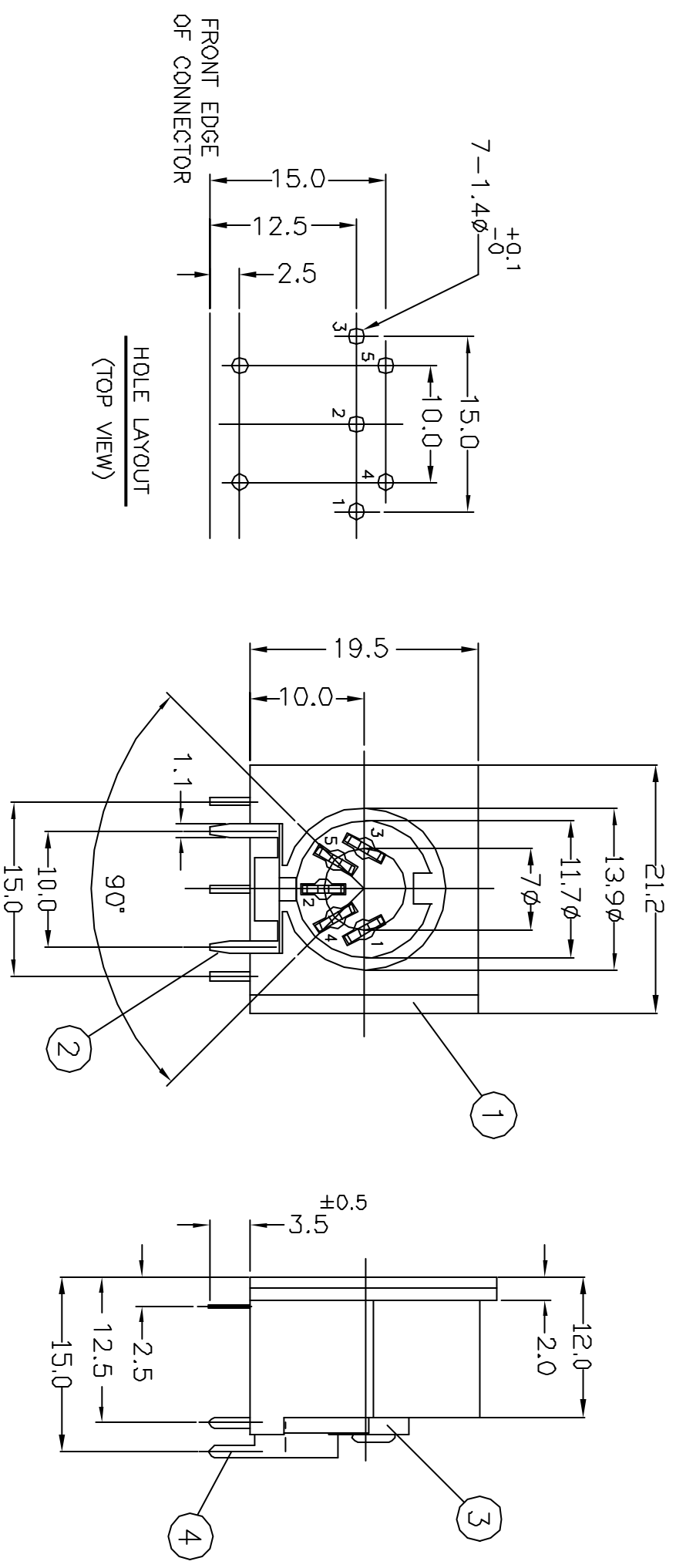


REV.	ECN NO OR DESCRIPTION	REVISED	DATE
C	修改尺寸 1.4 → 1.5	J0Y	2/13-04



- SPECIFICATIONS:**
- CURRENT RATING: AC: 100V 1A
DC: 24V 2A
 - CONTACT RESISTANCE: 20mΩ MAX.
 - INSULATION RESISTANCE: DC 500V 100MΩ MIN.
 - VOLTAGE WITHSTANDING: AC 500V 1 MINUTE
 - INSERTION FORCE: 4Kg MAX.
 - WITHDRAWAL FORCE: 1Kg MIN.
 - LIFE TEST: 5,000 CYCLES MIN. AFTER TESTING,
CONTACT RESISTANCE SHALL NOT EXCEED 100mΩ

4	CONTACT TERMINAL	5	BRASS 0.7t	SILVER PLATING
3	PLATE	1	BAKELITE BOARD 1.5t [1]	
2	EARTH TERMINAL	1	PHOSPHOR BRONZE 0.25t	SILVER PLATING
1	BODY	1	PBT UL 94V-0	BLACK COLOR
NO	DESCRIPTION		MATERIAL	PLATING & COLOR

UNLESS OTHERWISE SPECIFIED TOLERANCES

 Singatron Enterprise Co., Ltd.
 信音企業股份有限公司

TITLE		5P 180° DIN CONNECTOR	
DWN	J0Y 2/13-04	PART NO.	2DJ-00600003
CHKD	KAN 2/13-04	SCALE:	2/1
APVD	ANDREW 2/13-04	SIZE:	A3
DECIMALS:		ANGLES:	
X	:±0.3	X	:±2°
X.X	:±0.2	X.X	:±1°
X.XX	:±0.1		