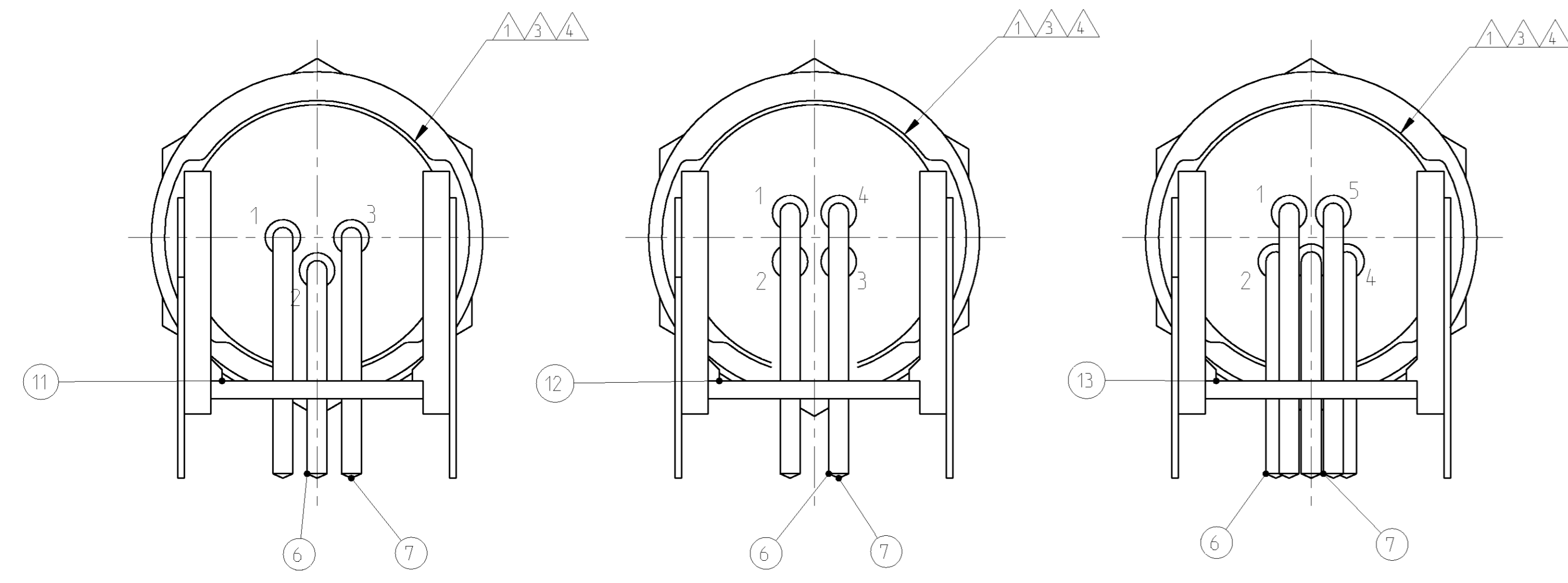


LOC	DIST	P	LTR	REVISIONS	DATE	DWN	APVD
				ÄNDERUNGEN			
				BESCHREIBUNG			
				BESCHREIBUNG			
A1	-			EG00-0576-01	18JUN2001	NG	GF

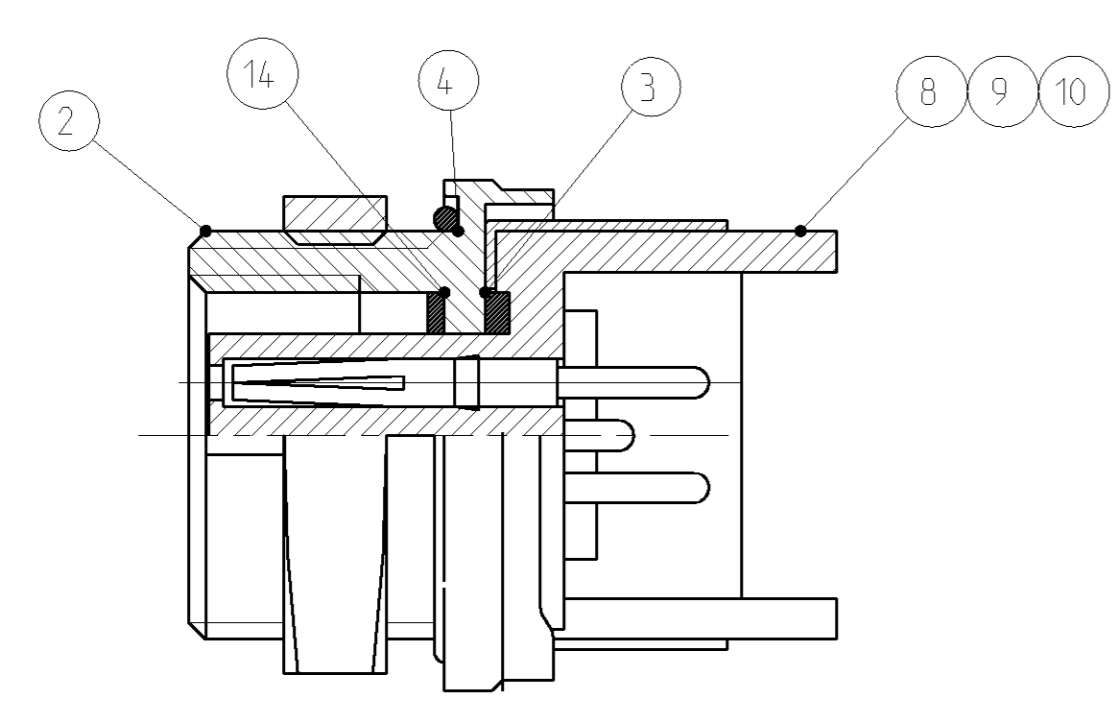
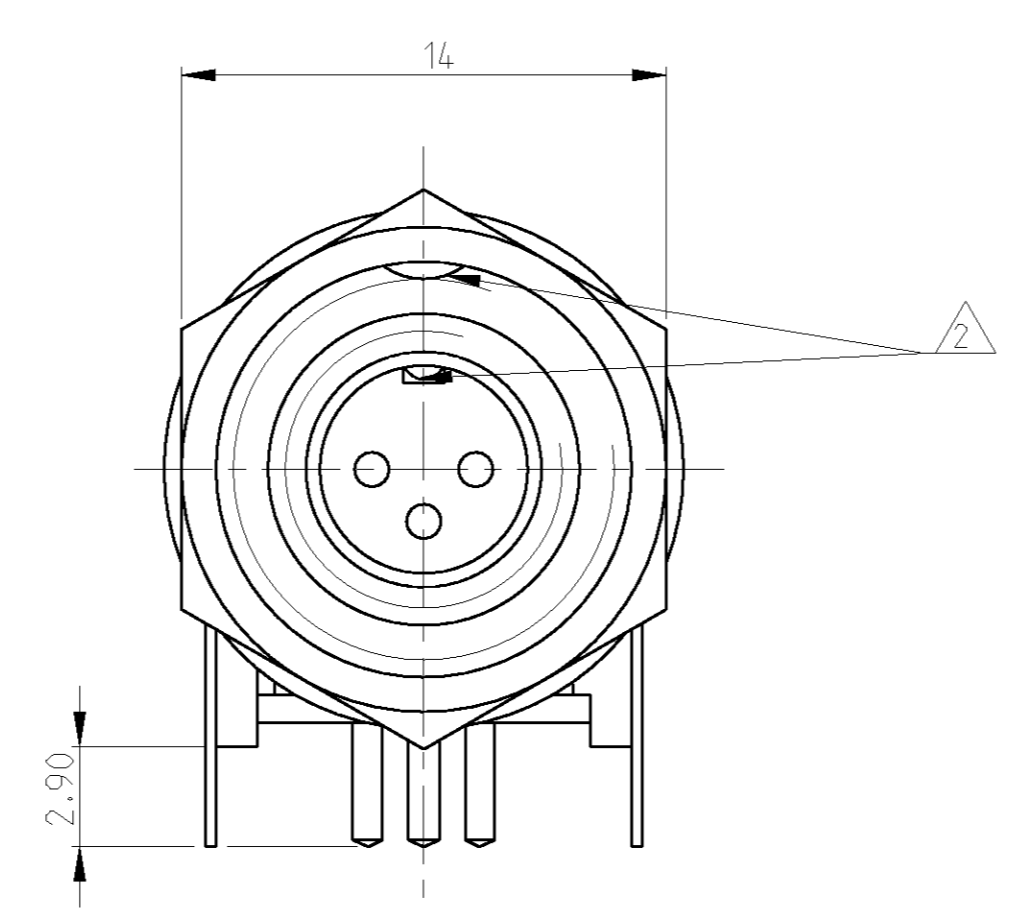
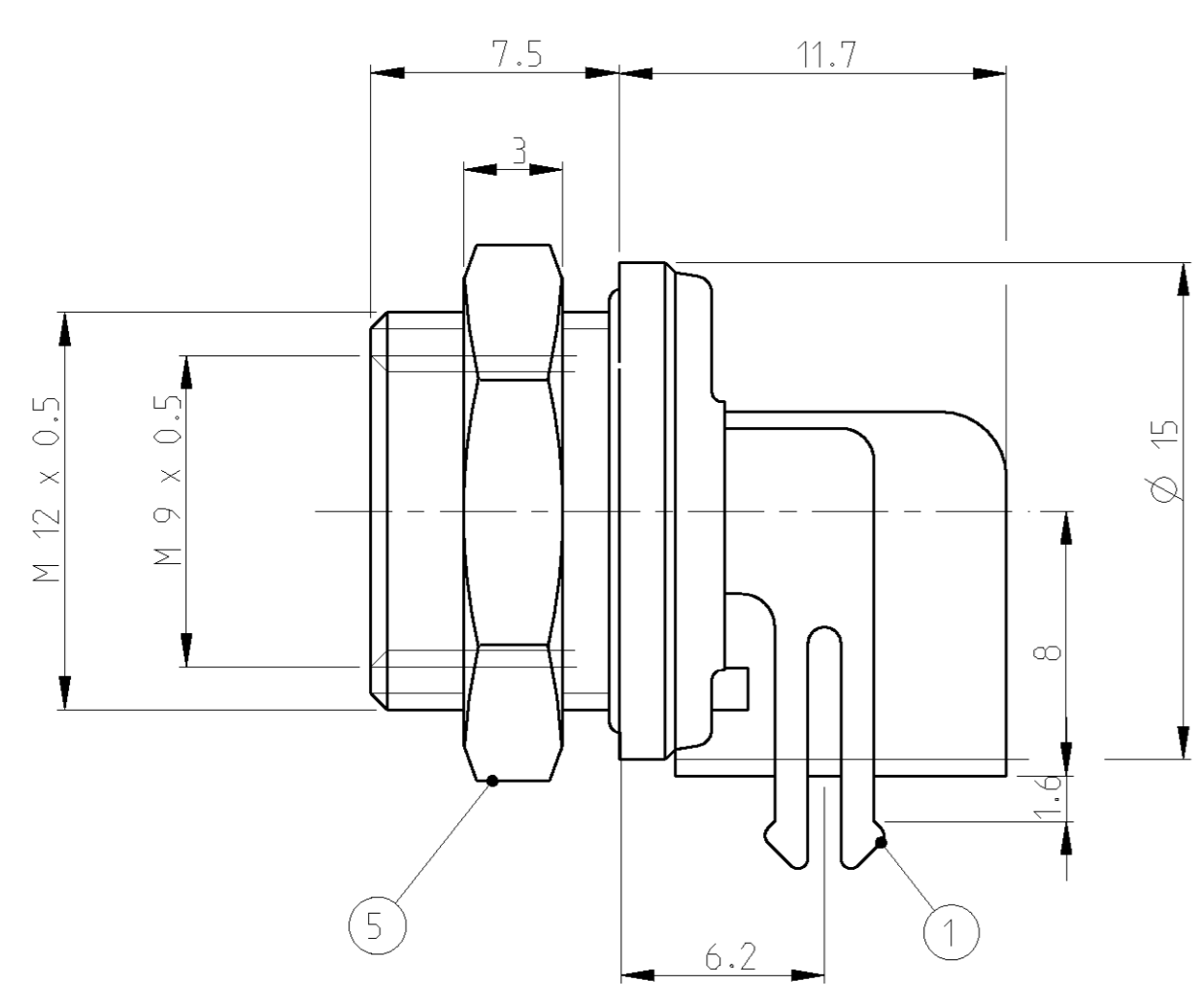
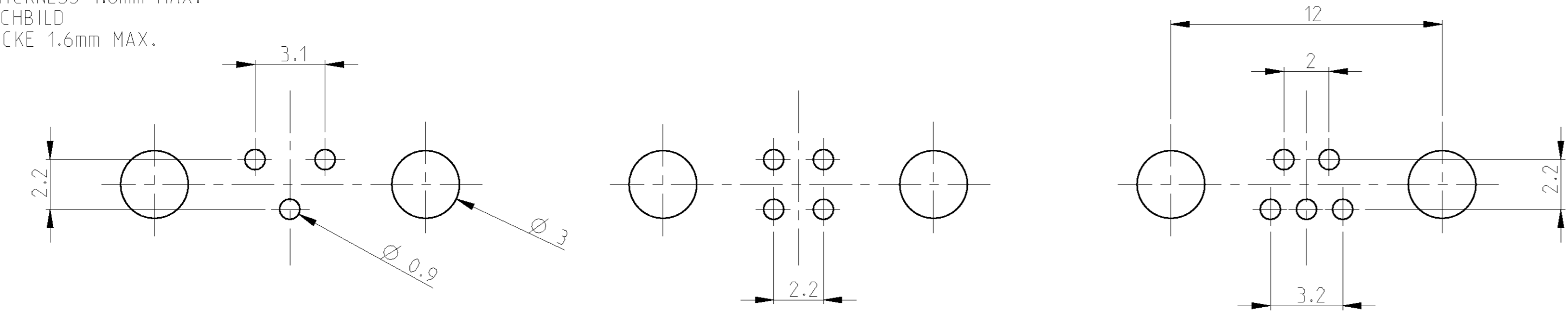
3 WAY
3 POLIG

4 WAY
4 POLIG

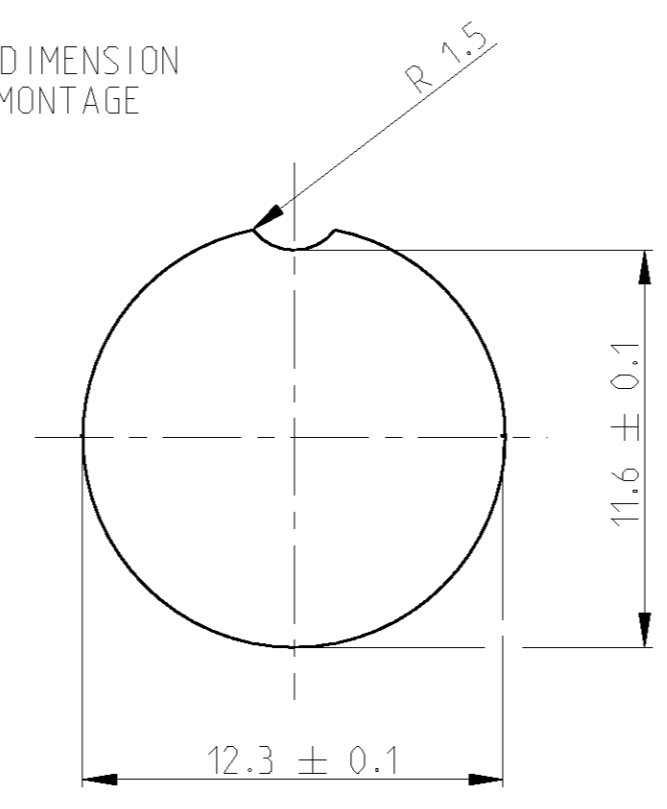
5 WAY
5 POLIG



PCB HOLES
 PCB THICKNESS 1.6mm MAX.
 PCB LOCHBILD
 PCB DICKE 1.6mm MAX.



MOUNTING HOLE DIMENSION
 LOCHBILD FUER MONTAGE



MATERIAL / MATERIAL: PBT, UL-94 V2	5
SHELL MATERIAL / GEHAUSEMATERIAL: CUZN	
FINISH / BESCHICHTUNG: TRIBOR 4 µm	
WIRE GAGE / DRAHTGROESSE IN mm ² : 0.25	4
CONTACT RESISTANCE / KONTAKTWIDERSTAND: => 5 mΩ	3
CODING / CODIERUNG	2
RATED CURRENT PER CONTACT / NENNSTROM PRO KONTAKT: 3 A	1
SHELL PROTECTION CLASS / SCHUTZKLASSE: IP 65 / DIN 40050	
TERMINATION: SOLDERING / VERBINDUNG: LOETKONTAKTE	
TEST VOLTAGE / PRUEFSPANNUNG: 500 VAC	
OPERATING VOLTAGE / BETRIEBSSPANNUNG: 60 VAC	
OPERATING TEMPERATURE: -40°C TO +80°C / ARBEITSTEMPERATUR: -40°C BIS +80°C	
MATING CYCLES / STECKZYKLEN: 500 MAX.	
TECHNICAL DATA TECHNISCHE DATEN	

TYCO-NO./TYCO NR.	QTY REQD PER ASSY	DESCRIPTION / BESCHREIBUNG	ITEM-NO. TEIL-NR.
6-1437719-0	1	SEAL / DICHTUNG	14
5-1437719-7	1	PLATE 5 POS. / PLATTE 5 POL.	13
	1	PLATE 4 POS. / PLATTE 4 POL.	12
	1	PLATE 3 POS. / PLATTE 3 POL.	11
1		INSULATION TUBE 5 POS. / ISOLIERHUELSE 5 POL.	10
	1	INSULATION TUBE 4 POS. / ISOLIERHUELSE 4 POL.	9
	1	INSULATION TUBE 3 POS. / ISOLIERHUELSE 3 POL.	8
2	2	SOCKET APPLIED BY PRESSURE / BUCHSENKONTAKT EINGEPRESST	7
3	2	SOCKET APPLIED BY PRESSURE / BUCHSENKONTAKT EINGEPRESST	6
1	1	NUT / MUTTER	5
1	1	SEAL / DICHTUNG	4
1	1	SEAL / DICHTUNG	3
1	1	HOUSING / GEHAUSE	2
1	1	GROUND ON PCB SPRING / VERBINDUNGSFEDER ZUR PCB MASSE	1
-	-	REVISION OF EACH ASSY NO. (WHEN BLANK, USE DWG REV.)	
TYCO-NO.	TYCO NR.	DESCRIPTION / BESCHREIBUNG	ITEM-NO. TEIL-NR.
T01-0560-S05	T01-0560-S04	T01-0560-S03	
CATALOG-NO.	CATALOG-NO.	CATALOG-NO.	

AS SHOWN
 5-1437719-4 WIE GEZEICHNET

DWG: H. GEISLER 18JUN2001 CDR: H. SCHERER 18JUN2001 APVD: H. GEISLER 18JUN2001		tyco Electronics tyco Electronics AMP GmbH D - 64625 Bensheim	
DIMENSIONS: MASSENMEN (mm) TOLERANCES, UNLESS OTHERWISE SPECIFIED: ALIGEMENTOLFERANZ 0 PLC ±0.3 1 PLC ±0.2 2 PLC ±0.1 3 PLC ±0.1 4 PLC ±0.1 5 PLC ±0.1		NAME: T01 FEMALE PLUG CONN. PANEL MNT. PCB VER. 3-5 POS. 90 DGR. T01 BUCHSENSTECKER.EINBAU.PCB VER. 3-5 POL. 90 GRAD	
MATERIAL: - FINISH: - WEIGHT: - CUSTOMER DRAWING		SIZE: A1 CAGE CODE: 00779 DRAWING NO.: 5-1437719-4 RESTRICTED TO: - SCALE: - SHEET: 1 OF 1 REV: A1	