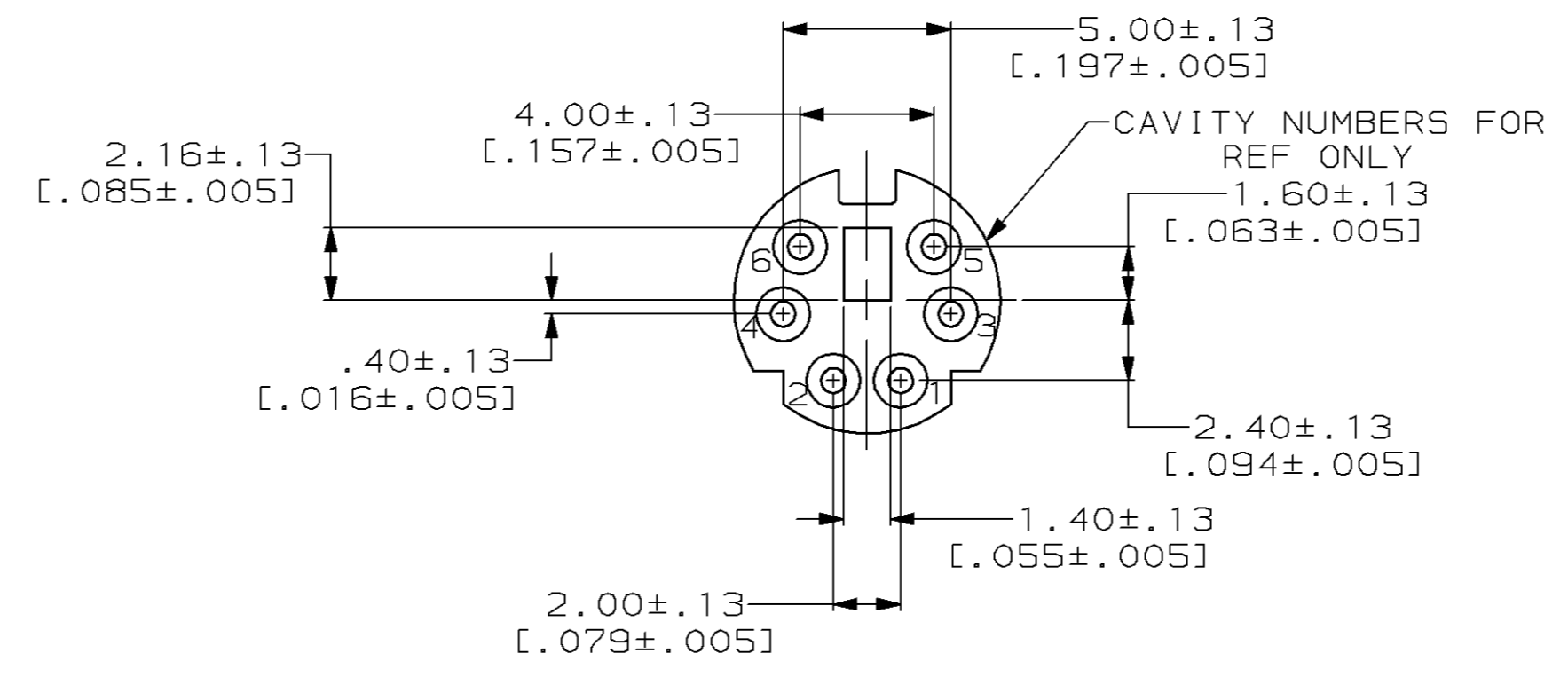
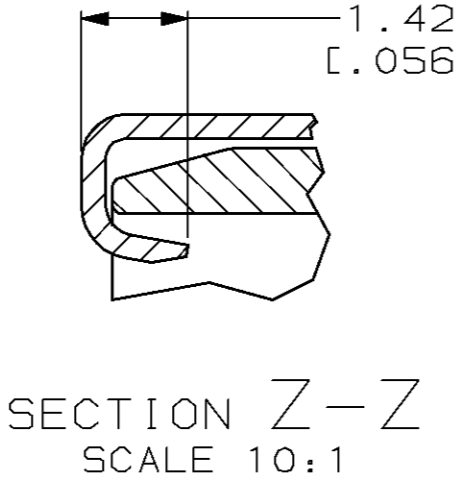
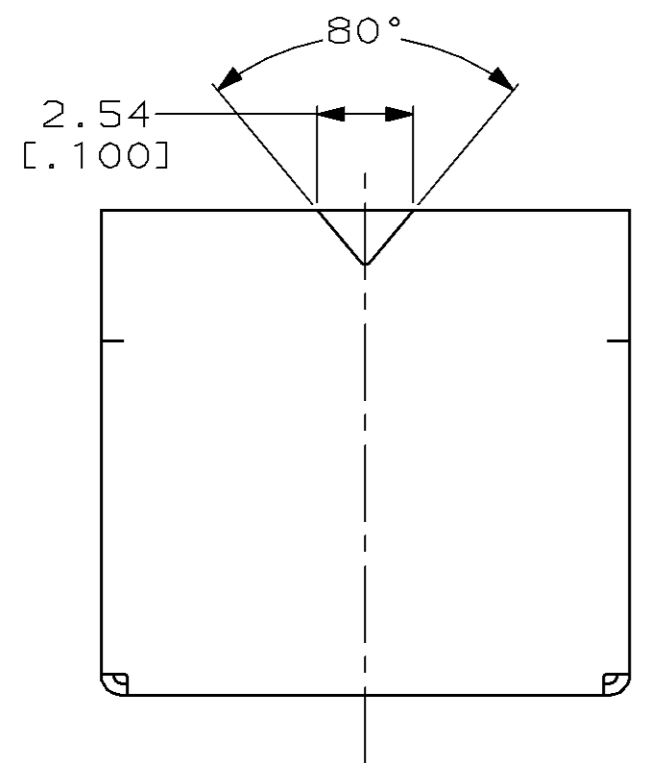
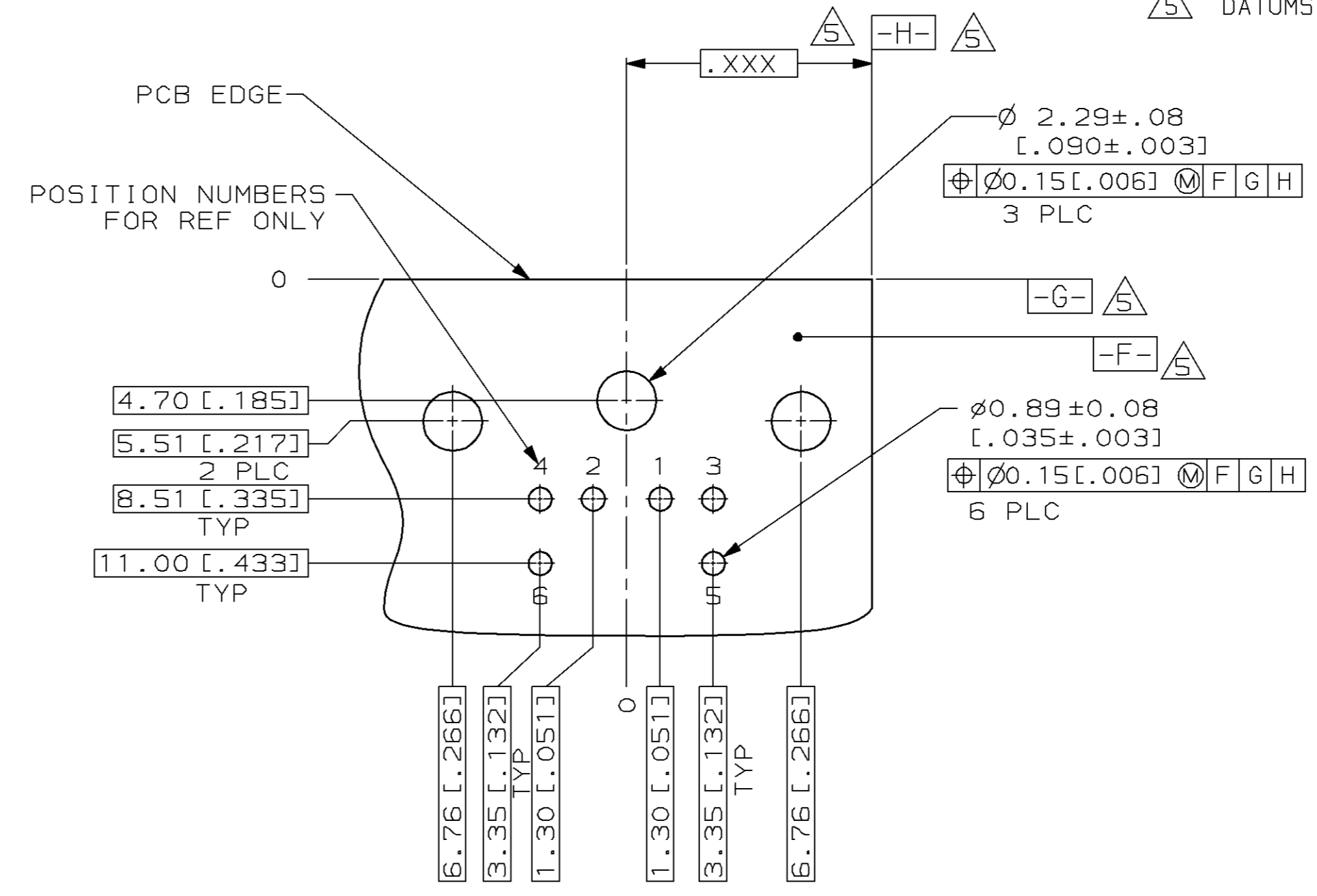
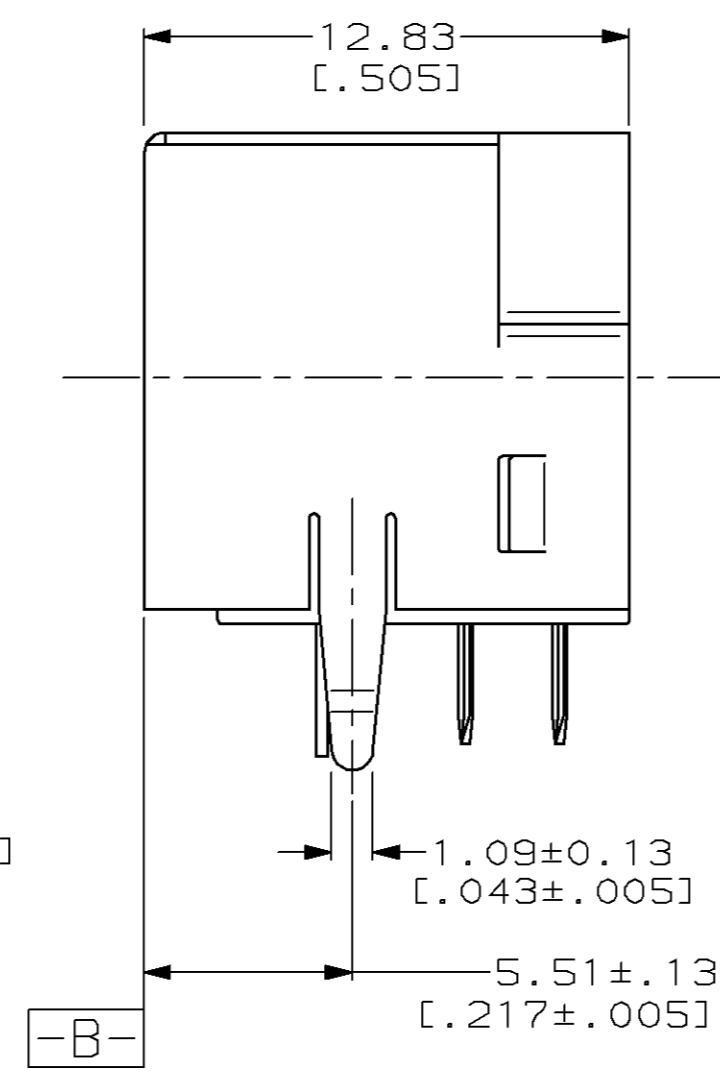
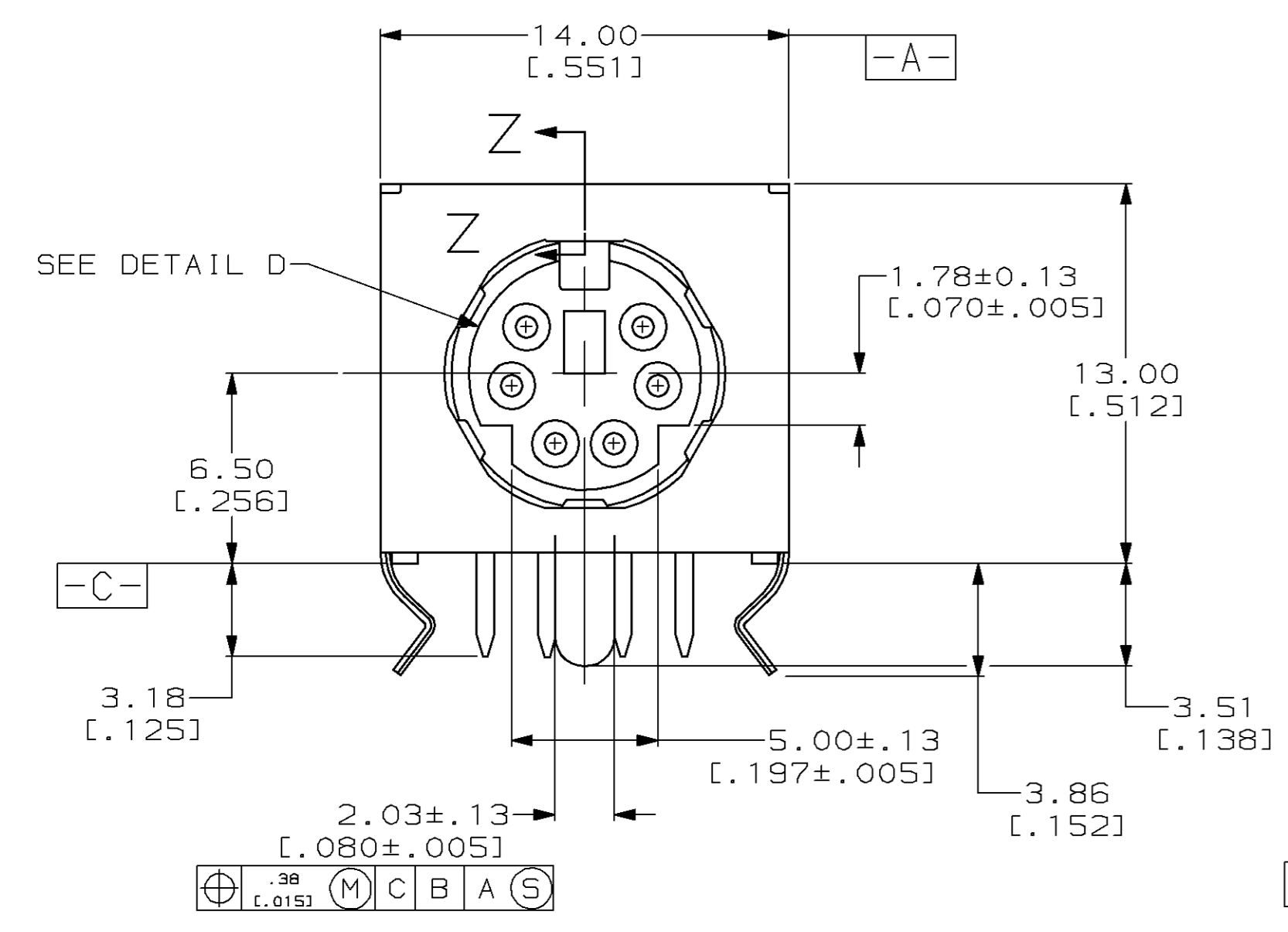


LOC	DIST	P	F	ZONE	LTR	REVISIONS	DATE	APPD
BD	26							
						O	RLSE NPR 2275 WAS 88-4837-19	01/05/89
						A	REVISED ECN-BD2959	05/08/89
						B	REVISED ECN BD3043	06/20/89
						C	REV PER ECN BD5426	10/28/91
						D	ADDED -2 PER NPR 4448, WAS 92-4264-33-1	10/27/92
						E	REV PER EC 0020-792-94	03/04/95
						F	REV PER EC 0020-824-95	12 OCT 95
						G	REV PER EC 0410-95-96	03 MAR 97
						H	OBsolete -2 PER EC 0410-194-96	08 SEP 97
						J	REV PER EC 0410-281-97	28 SEP 97
						K	REV PER EC 0410-410-97	05 FEB 98

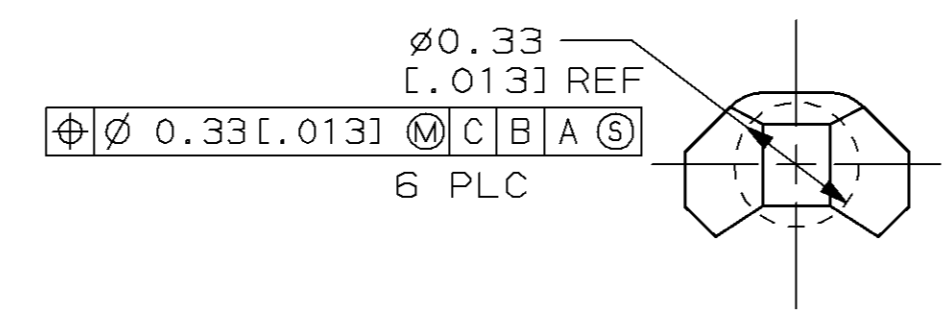
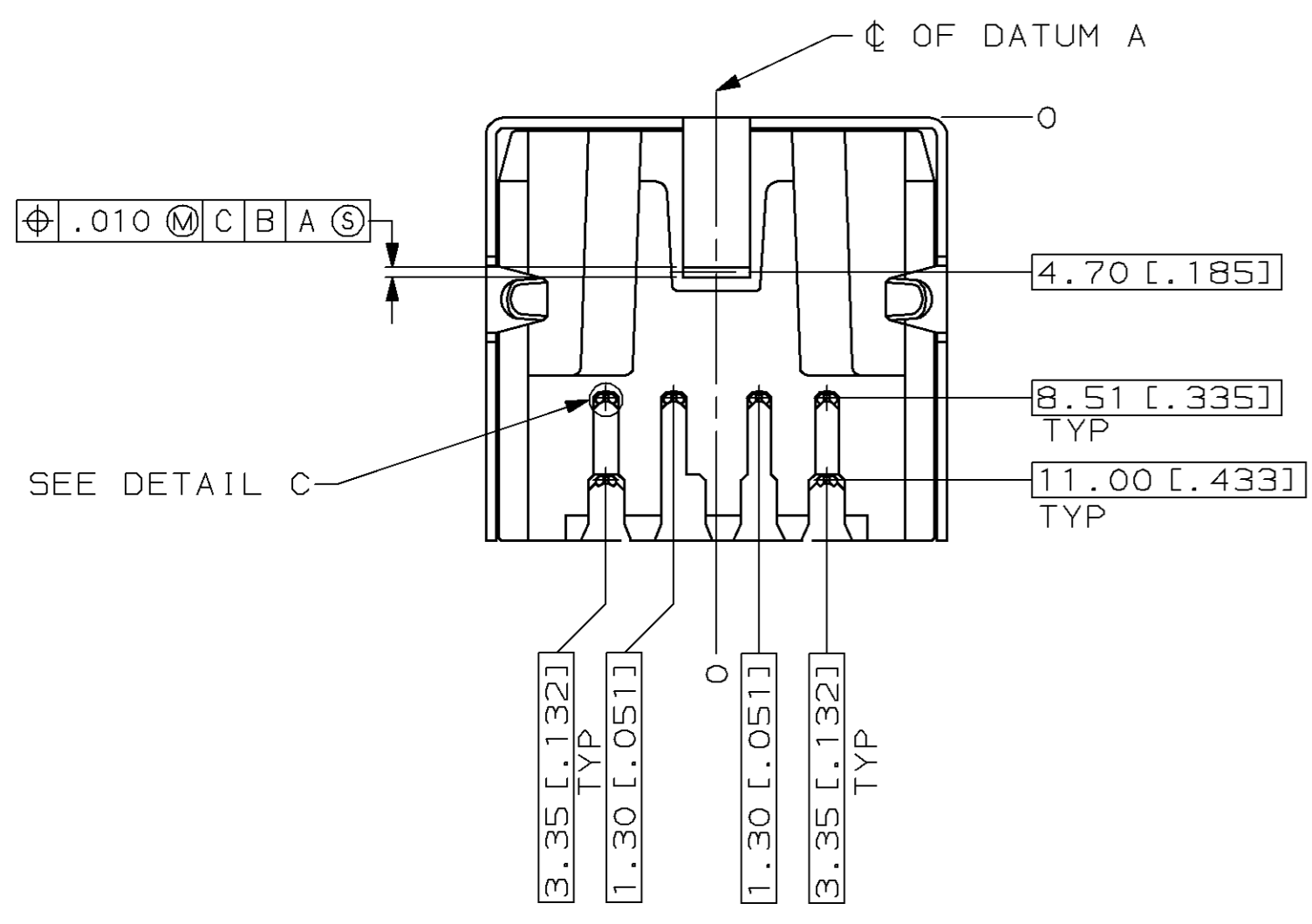


DETAIL D  
6 PIN FACE

- 1 RECEPTACLE CONTACTS: COPPER ALLOY.  
RECEPTACLE SHIELD: COPPER ALLOY.  
HOUSING: THERMOPLASTIC, BLACK, UL 94V-0 RATED.
- 2 PLATING:  
RECEPTACLE CONTACTS - GOLD PLATED .00076 MIN [.000030 MIN] THICK  
ON MATING END, TIN-LEAD PLATED .0030 MIN [.000120 MIN] THICK  
ON SOLDER TAIL ALL OVER .0013 MIN [.000050 MIN] THICK NICKEL.
- 3 PLATING:  
SHIELD: 1.50-4.00µm [.000059-.000158] THICK BRIGHT TIN.
- 4 RECEPTACLE ASSEMBLY MATES WITH 6 PIN 9.00±.10 [.354±.004] DIAMETER PLUG.
- 5 DATUMS AND BASIC DIMENSION SUPPLIED BY CUSTOMER.



6 PIN PCB LAYOUT  
BOTTOM VIEW



DETAIL C  
SCALE 50:1

OBSoLETE	1, 2, 3, 4	749180-2
	ALL	749180-1
	POSITIONS LOADED	PART NO

DO NOT SCALE PRINT. UNLESS SPECIFIED DIMENSIONS IN mm [INCHES] TOLERANCES ON: 2 PLC DEC ± - 3 PLC DEC ± 0.381 [.015] ANGLES ± 0°30'	DR 1-24-89 P. COSMOS CHK 1-24-89 C. OHL APPD 1-24-89 B.H. MOSSER APPD 1-24-89 E.C. MYERS	AMP INCORPORATED Harrisburg, Pa. 17105	
MATERIAL	PRODUCT SPEC 108-1225	NAME RECEPTACLE ASSY W/HOLD DOWN, 6 POS RIGHT ANGLE, MINIATURE CIRCULAR DIN	
FINISH	APPLICATION SPEC	SIZE D	FSCM NO 00779
	WEIGHT	DRAWING NO 749180	SHEET 1 OF 1
		SCALE 5:1	