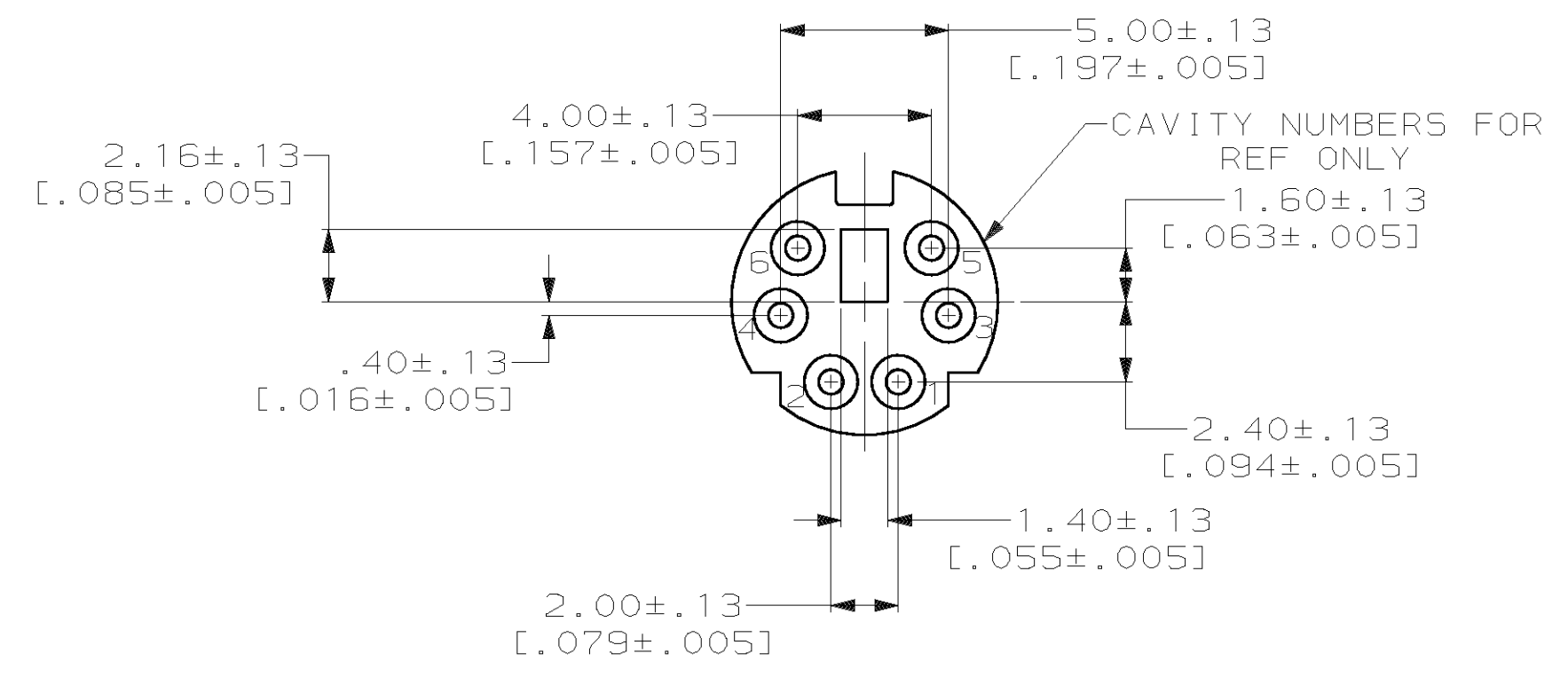
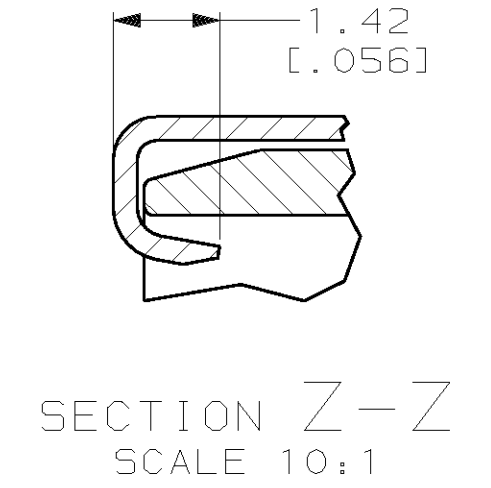
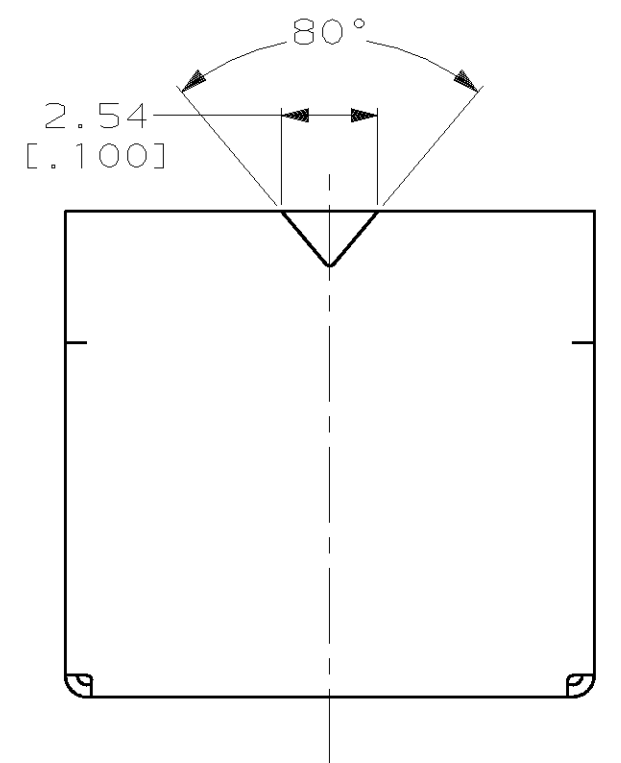
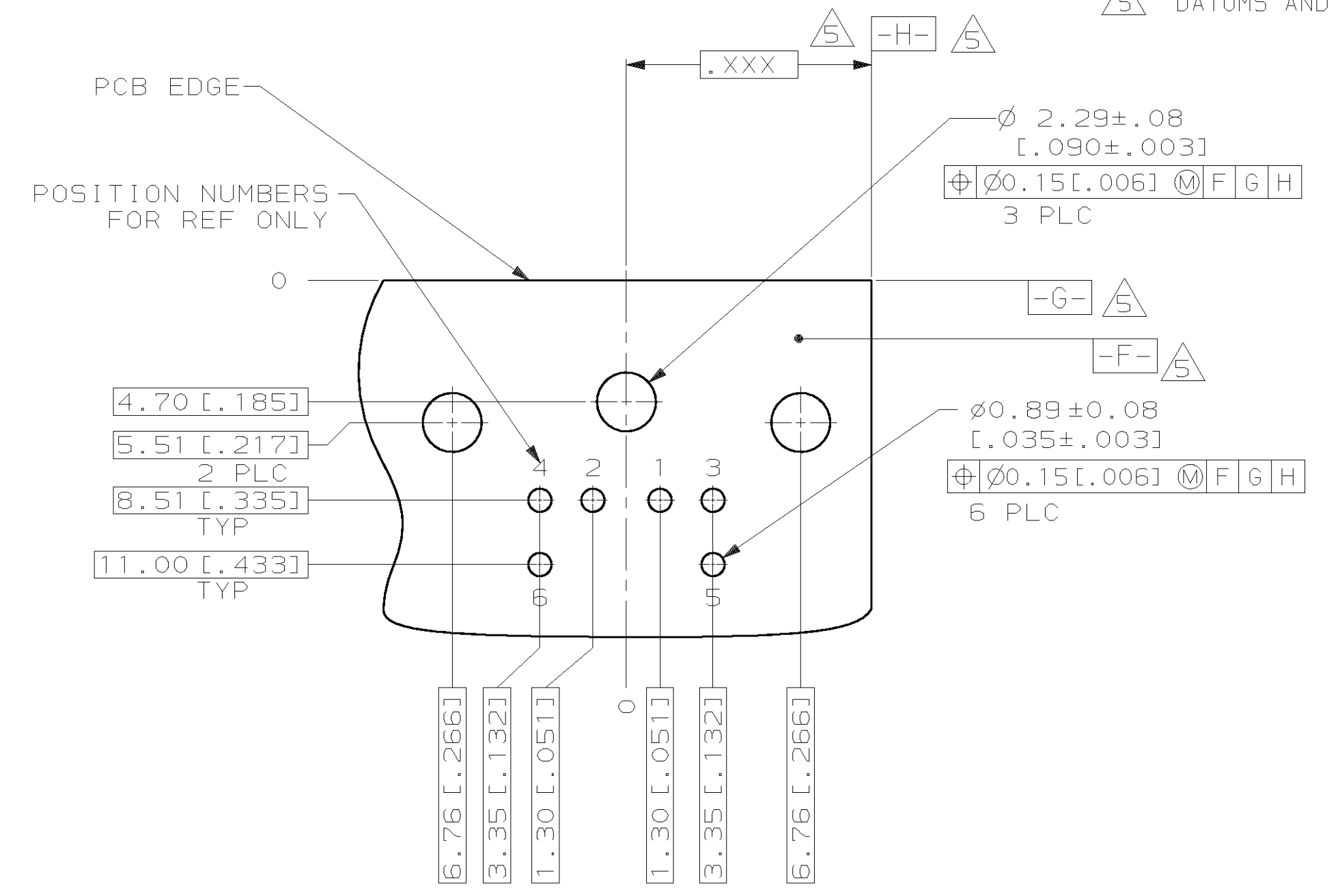
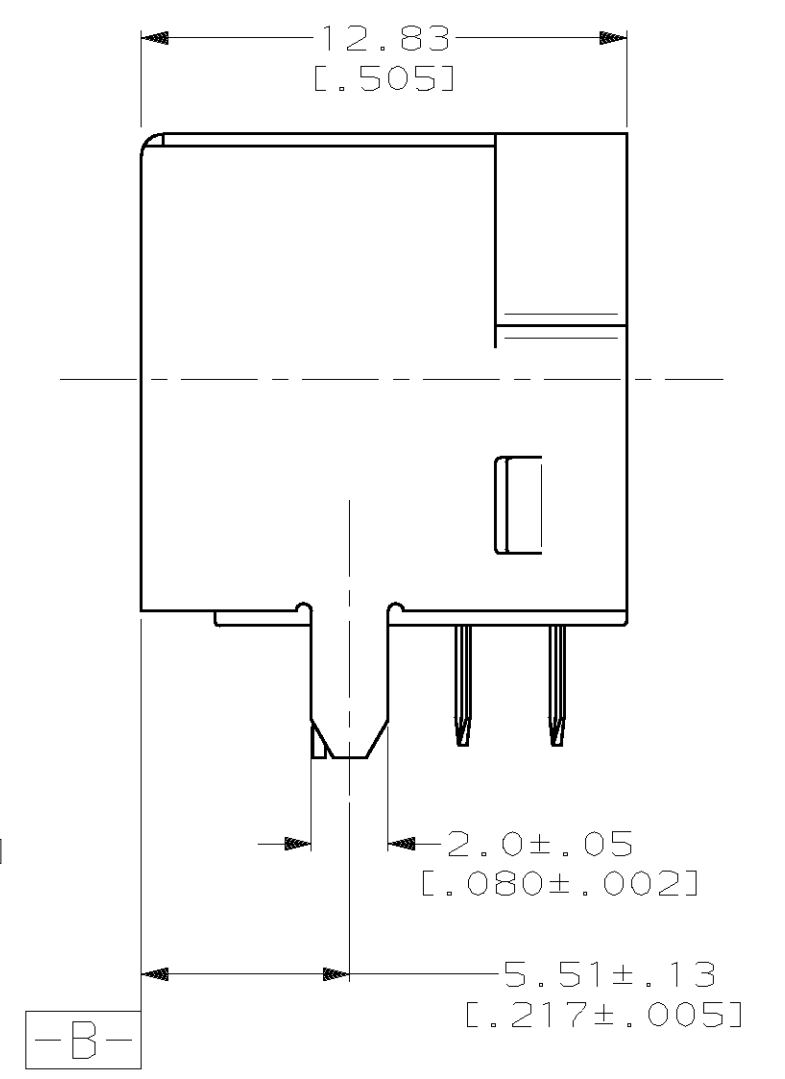
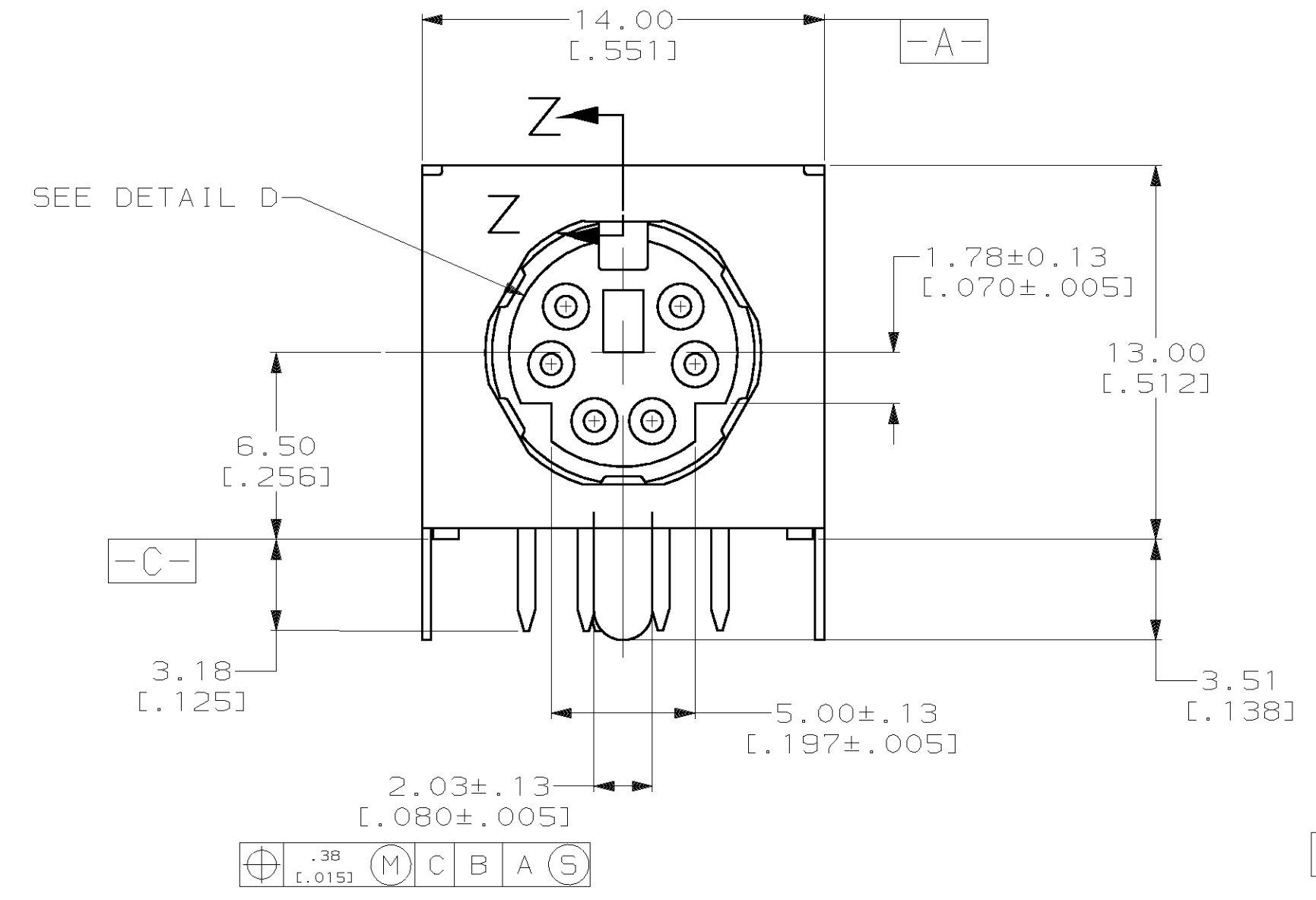


| LOC | DIST | P | F | ZONE | LTR | DESCRIPTION                  | DATE      | APPD |
|-----|------|---|---|------|-----|------------------------------|-----------|------|
| BD  | 26   |   |   |      |     |                              |           |      |
|     |      |   |   |      |     | RLSE NPR 2275 WAS 88-4837-19 | 01/05/89  | -    |
|     |      |   |   |      |     | REVISED ECN-BD2959           | 05/09/89  | RW   |
|     |      |   |   |      |     | REVISED ECN BD3043           | 06/20/89  | -    |
|     |      |   |   |      |     | REV PER EC 0020-824-95       | 12 OCT 95 | JH   |
|     |      |   |   |      |     | REV PER EC 0410-95-96        | 03 MAR 97 | JGH  |
|     |      |   |   |      |     | REV PER EC 0410-198-97       | 09 JUN 97 | JGH  |
|     |      |   |   |      |     | REV PER EC 0410-281-97       | 29 SEP 97 | JGH  |
|     |      |   |   |      |     | REV PER EC 0410-410-97       | 05 FEB 98 | JGH  |
|     |      |   |   |      |     | ADDED -2 PER EC 0640-35-99   | 18 FEB 99 | DM   |

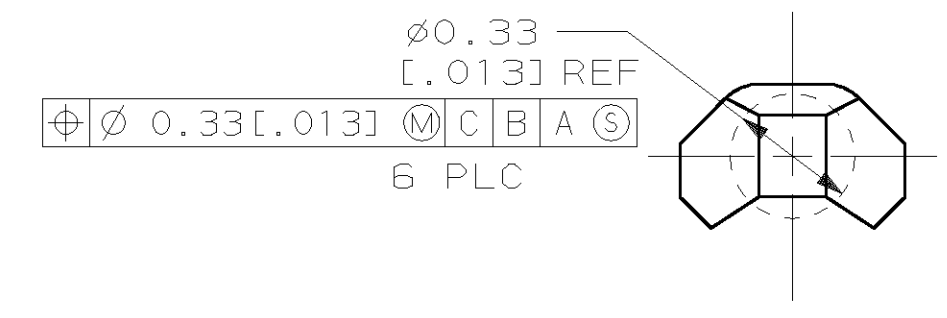
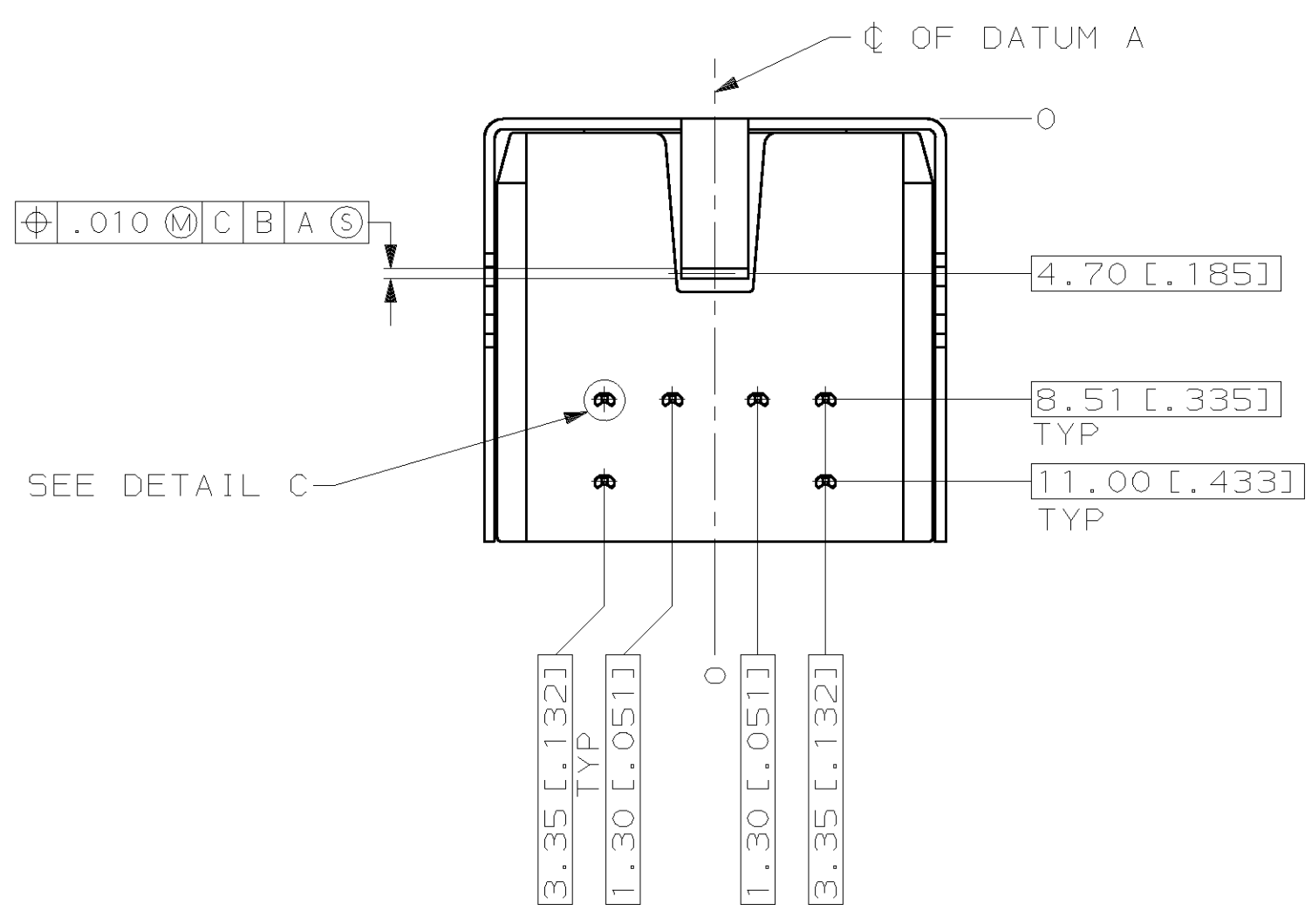


DETAIL D  
6 PIN FACE

- 1 RECEPTACLE CONTACTS: COPPER ALLOY.  
RECEPTACLE SHIELD: COPPER ALLOY.  
HOUSING: THERMOPLASTIC, BLACK, 94V-0 RATED.
- 2 PLATING:  
RECEPTACLE CONTACTS - GOLD FLASH PLATED ON MATING END, TIN-LEAD PLATED .0030 MIN [.000120 MIN] THICK ON SOLDER TAIL ALL OVER  
.0013 MIN [.000050 MIN] THICK NICKEL.
- 3 PLATING:  
SHIELD: 1.50-4.00μm [.000059-.000158] THICK BRIGHT TIN.
- 4. RECEPTACLE ASSEMBLY MATES WITH 6 PIN 9.00±.10 [.354±.004] DIAMETER PLUG.
- 5 DATUMS AND BASIC DIMENSION SUPPLIED BY CUSTOMER.



6 PIN PCB LAYOUT  
BOTTOM VIEW



DETAIL C  
SCALE 50:1

|           |             |
|-----------|-------------|
| TRAY      | 749265-2    |
| TUBE      | 749265-1    |
| PACKAGING | PART NUMBER |

|  |   |  |                 |                      |
|--|---|--|-----------------|----------------------|
| DO NOT SCALE PRINT.<br>UNLESS SPECIFIED<br>DIMENSIONS IN mm [INCHES]<br>TOLERANCES - ON :<br>2 PLC DEC ± -<br>3 PLC DEC ± 0.381 [.015]<br>ANGLES ± 0°30' | DR 1-24-89<br>P.C05M05<br>CHK 1-24-89<br>C.OHL<br>APPD 1-24-89<br>B.H.MOSSER<br>APPD 1-24-89<br>E.C.MYERS | <b>AMP</b>   AMP INCORPORATED<br>Harrisburg, Pa. 17105<br>NAME<br>RECEPTACLE ASSY, 6 POS,<br>RIGHT ANGLE, MINIATURE CIRCULAR DIN |                 |                      |
| MATERIAL<br>1<br>2<br>3  | PRODUCT SPEC<br>108-1225<br>APPLICATION SPEC<br>-   | SIZE<br>D<br>00779   | FSCM NO<br>-    | DRAWING NO<br>749265 |
| FINISH   | WEIGHT  | SCALE<br>5:1   | SHEET<br>1 OF 1 |                      |