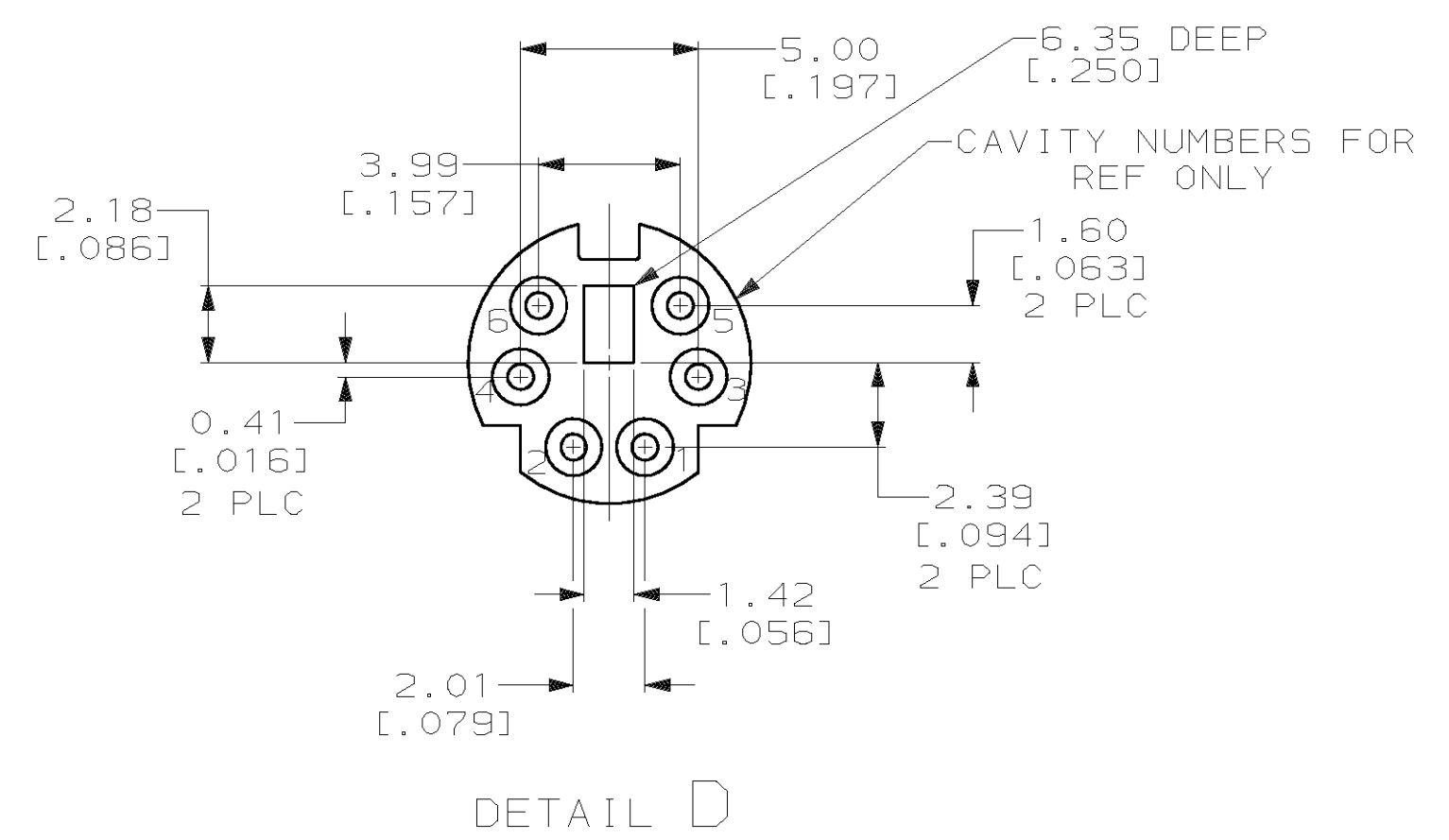
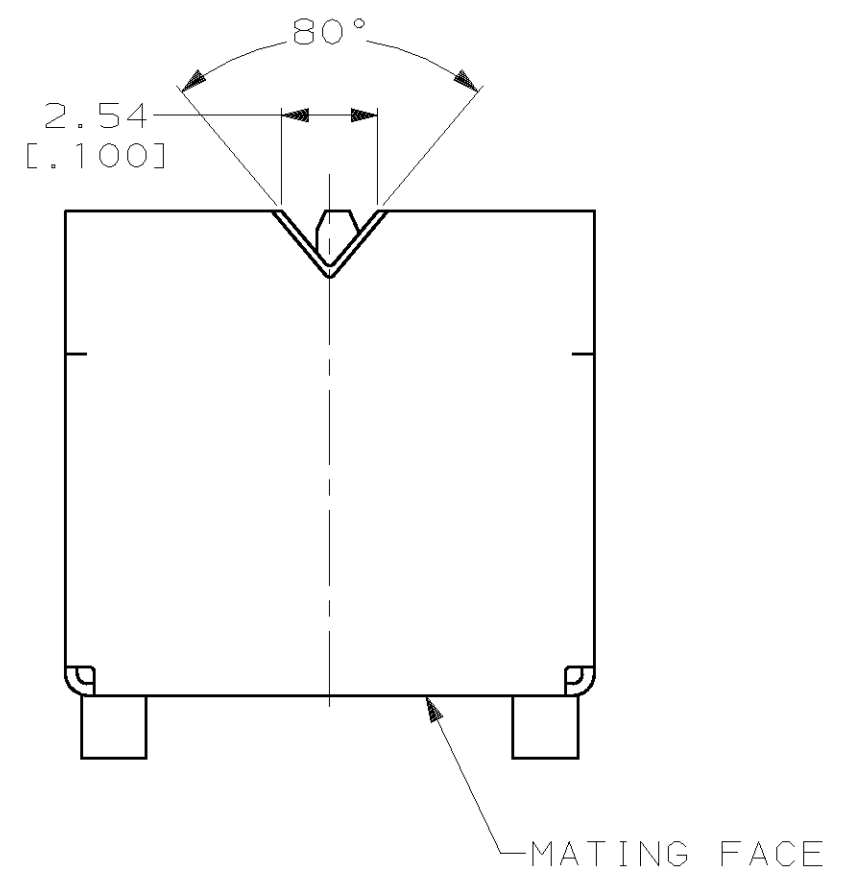
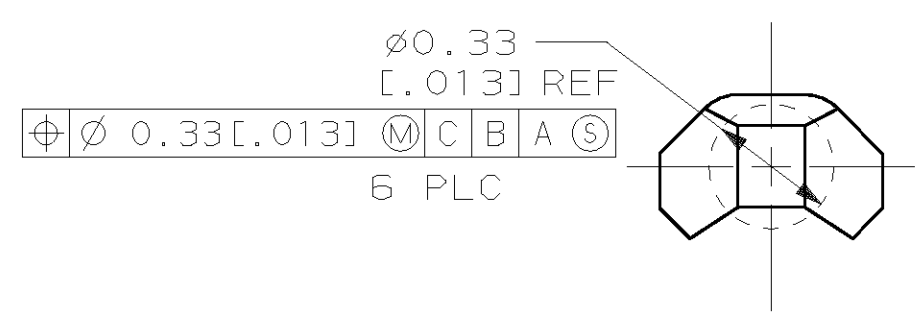
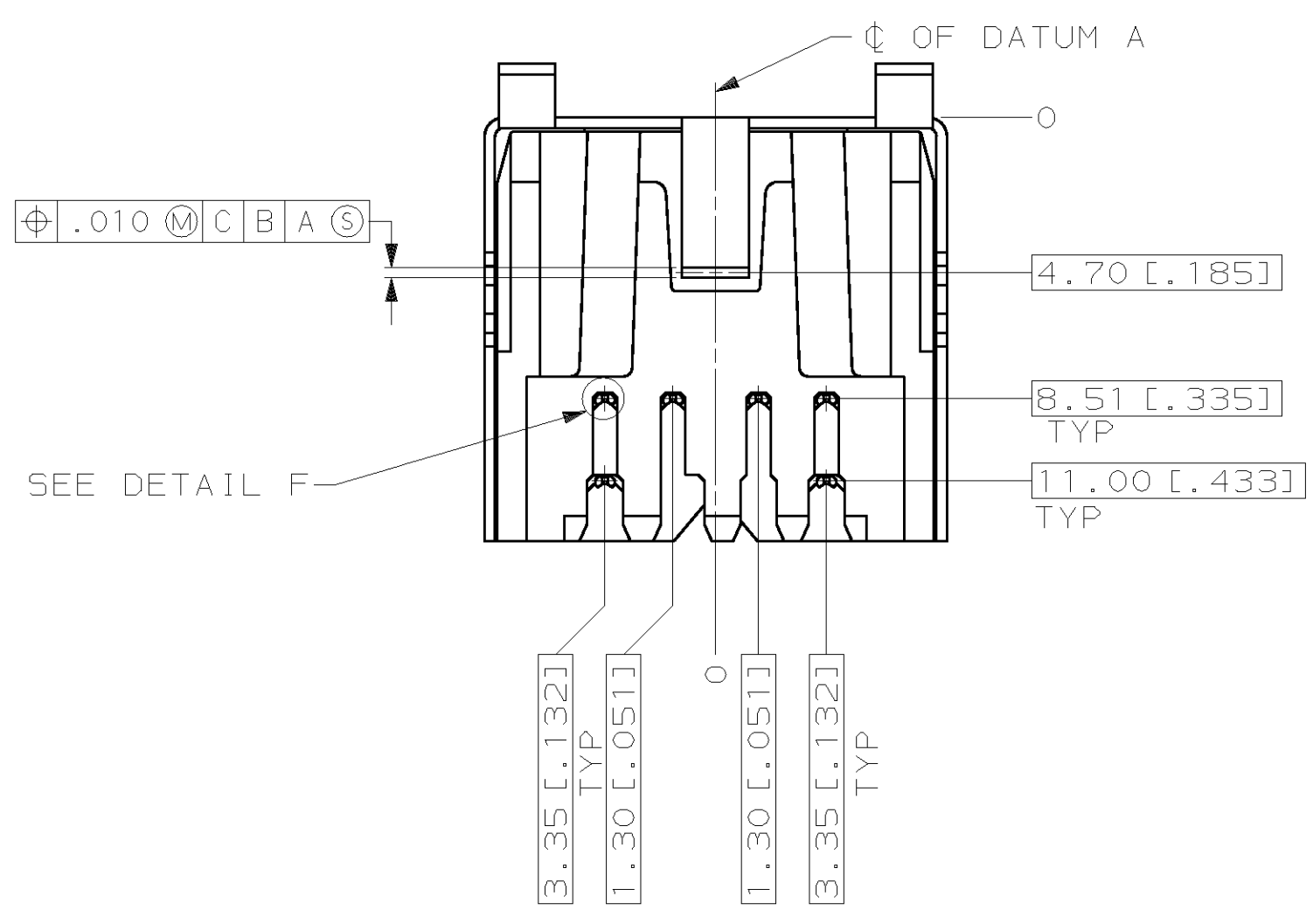
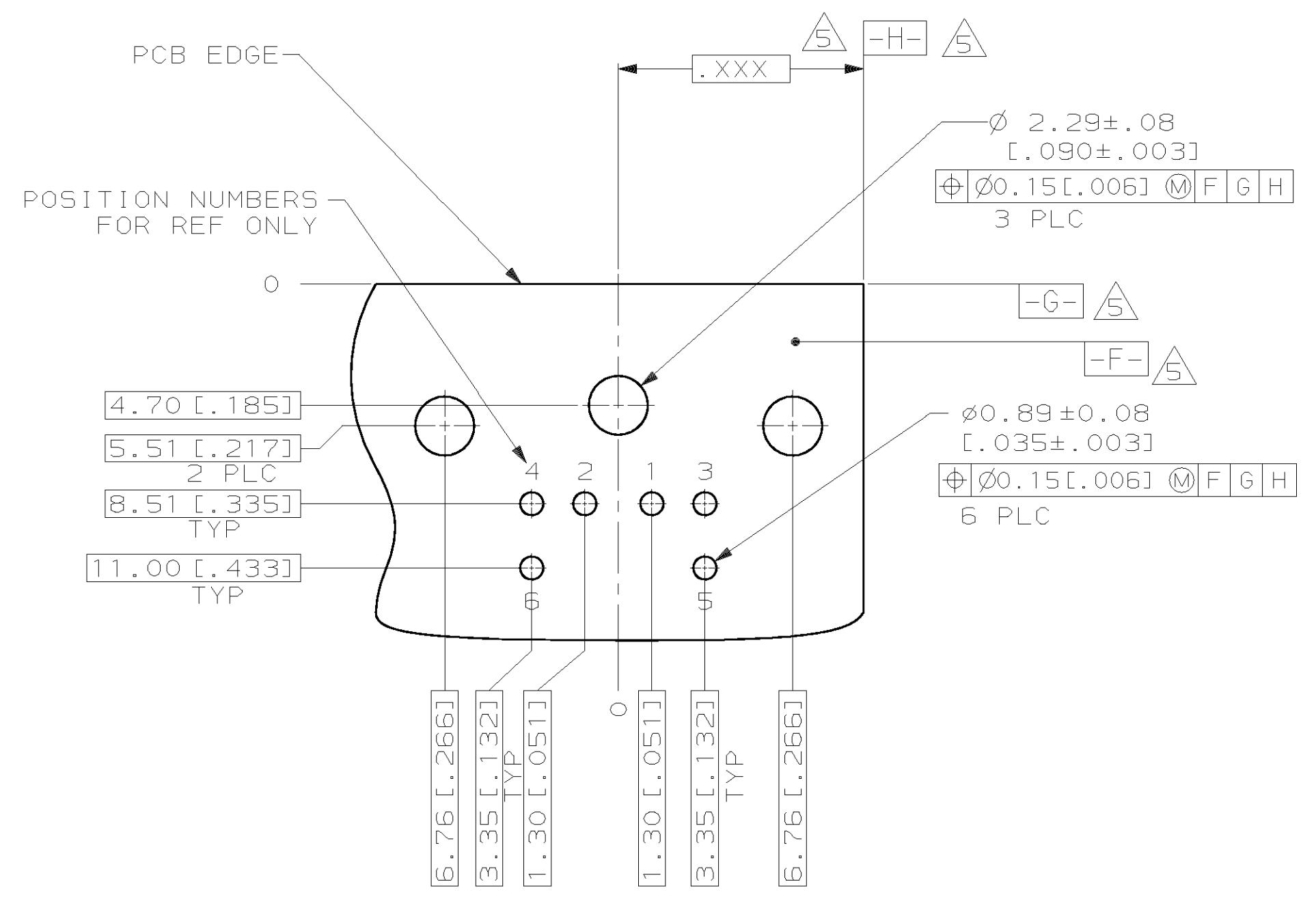
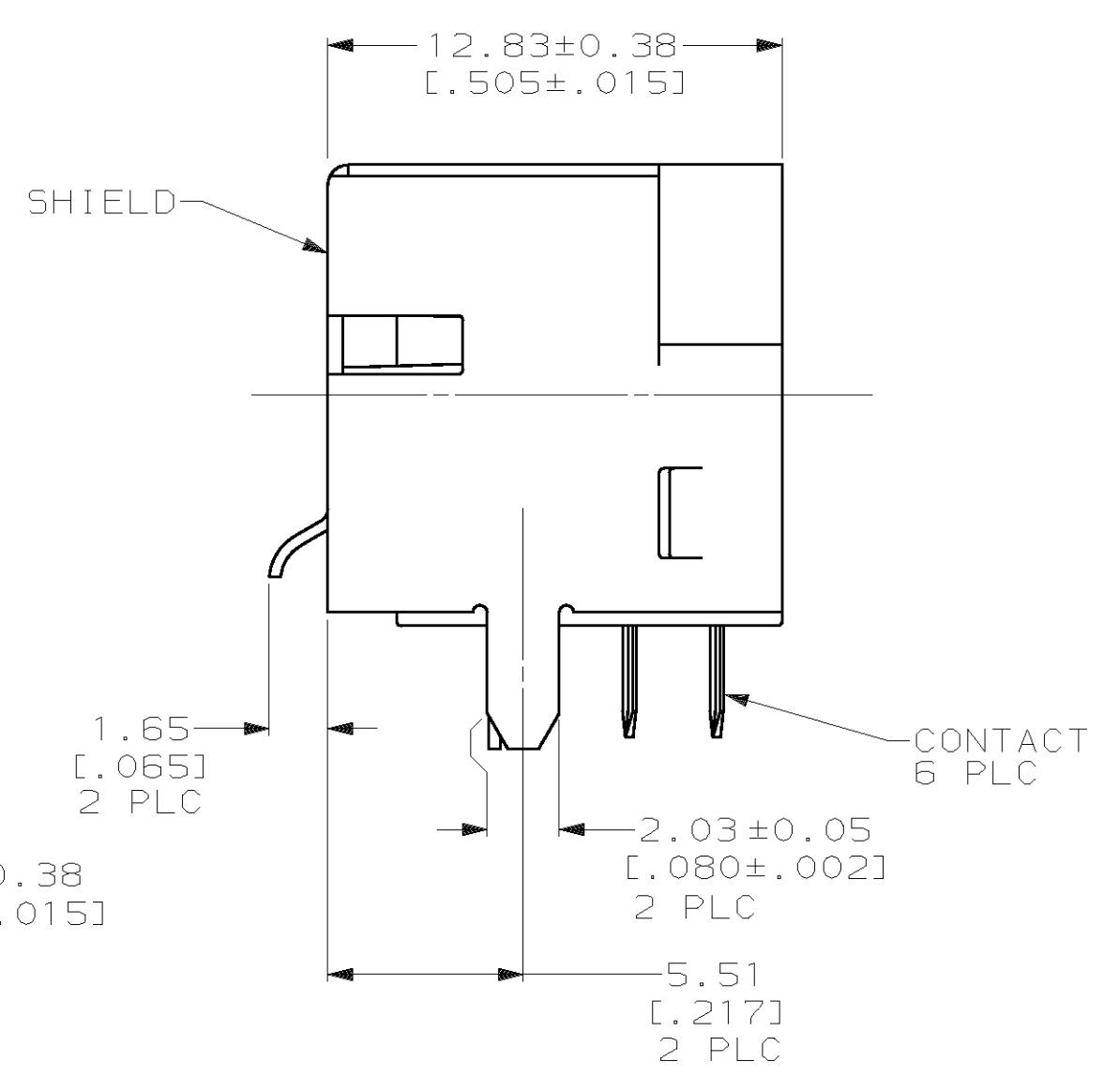
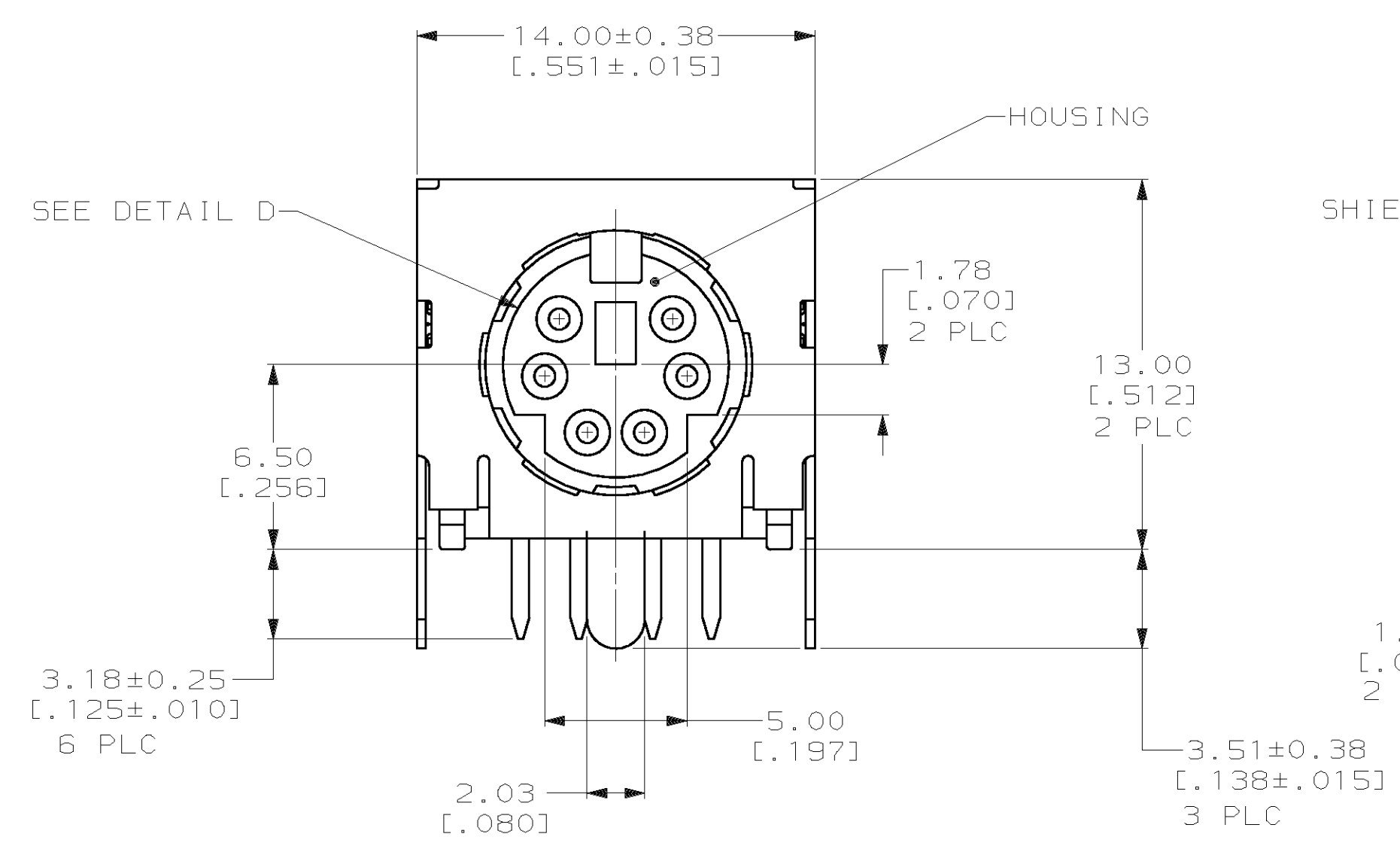


LOC	DIST	P	F	ZONE	LTR	DESCRIPTION	DATE	APPR
BD	26							
						REVISIONS		
						DESCRIPTION	DATE	APPR
						0 RLSE PER NPR 2674 & REV PER ECN BD3723	02/16/90	-
						A REV PER EC 0020-824-95	12 OCT 95	JH
						B REV PER EC 0410-95-96	04 MAR 97	JGH
						C REV PER EC 0410-281-97	29 SEP 97	JGH
						D REV PER EC 0410-410-97	05 FEB 98	JGH
						E REV PER EC 051A-0050-00	16 MAR 00	CWR



- ① SHIELD & CONTACTS: COPPER ALLOY.  
HOUSING: POLYESTER, UL 94V-0 RATED, BLACK.
- ② 0.76 μm [0.000030] MIN GOLD FOR A LENGTH OF 1.27 [0.050] MIN FROM MATING END, 3.05 μm [0.000120] MIN TIN-LEAD ON OPPOSITE END, BOTH OVER 1.27 μm [0.000050] MIN NICKEL.
- ③ 1.50-4.00 μm [0.000059-.000158] THICK BRIGHT TIN.
- ④ GOLD PLATING PER MIL-G-45204, TIN PLATING PER MIL-T-10727, NICKEL PLATING PER QQ-N-290.
- ⑤ DATUMS AND BASIC DIMENSION SUPPLIED BY CUSTOMER.



DETAIL F  
SCALE 50:1

RECOMMENDED PC BOARD LAYOUT  
BOTTOM VIEW

DO NOT SCALE PRINT. UNLESS SPECIFIED DIMENSIONS IN mm [INCHES] TOLERANCES ON: 2 PLC DEC ± 0.13 [0.005] 3 PLC DEC ± - ANGLES ± 2°		DR 02/16/90 L.SIPE CHK 03/20/90 R.STONE APPD 03/20/90 R.WHYNE APPD 03/20/90 J.FULPONI		750071-1 PART NO	
MATERIAL ①		PRODUCT SPEC 108-1225		AMP INCORPORATED Harrisburg, Pa. 17105	
FINISH ④ SHIELD: ③ CONTACTS: ②		APPLICATION SPEC -		NAME RECEPTACLE ASSEMBLY, FRONT PANEL GROUNDING, 6 POSN, RIGHT ANGLE, MINIATURE CIRCULAR DIN	
WEIGHT -		SIZE D		DRAWING NO 750071	
		SCALE 5:1		SHEET 1 OF 1	