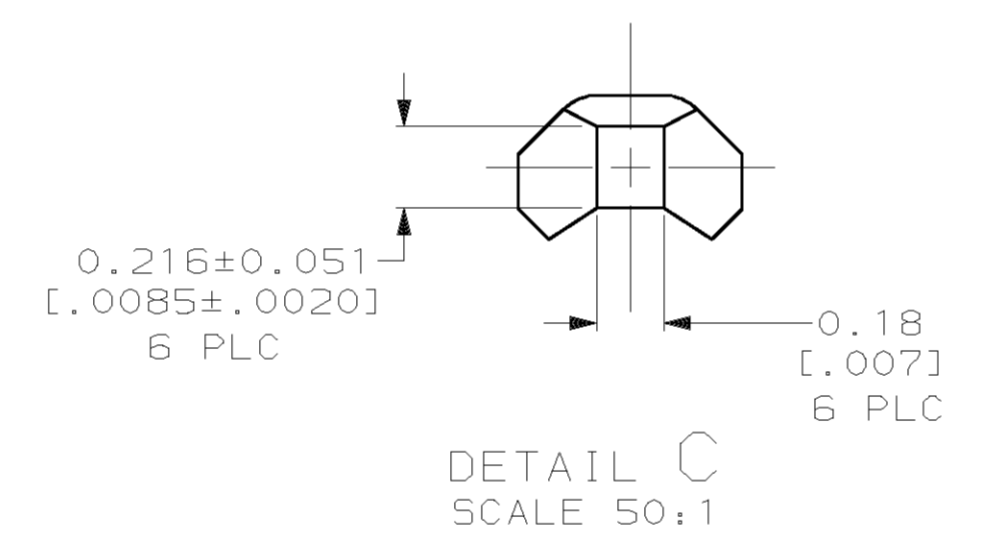
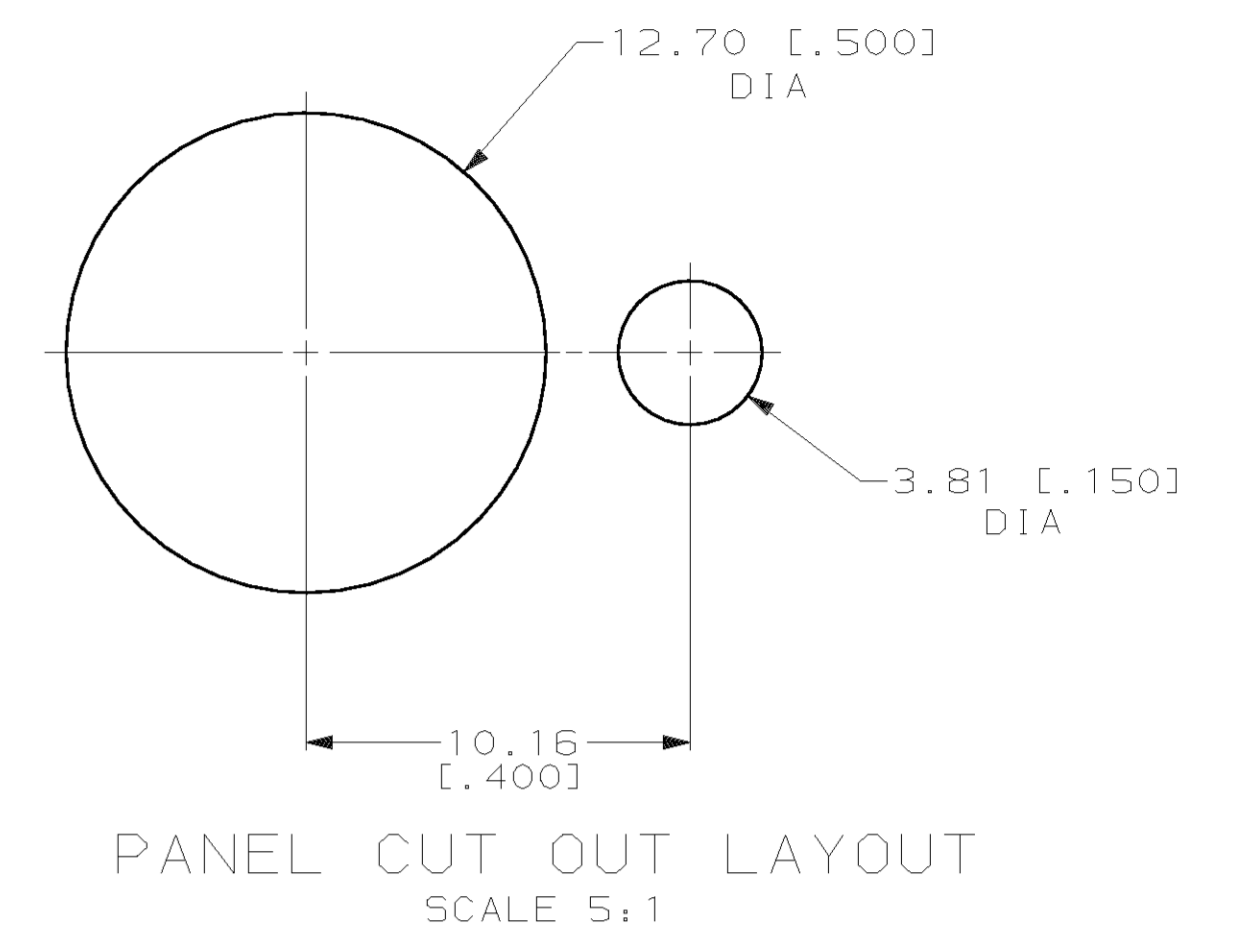
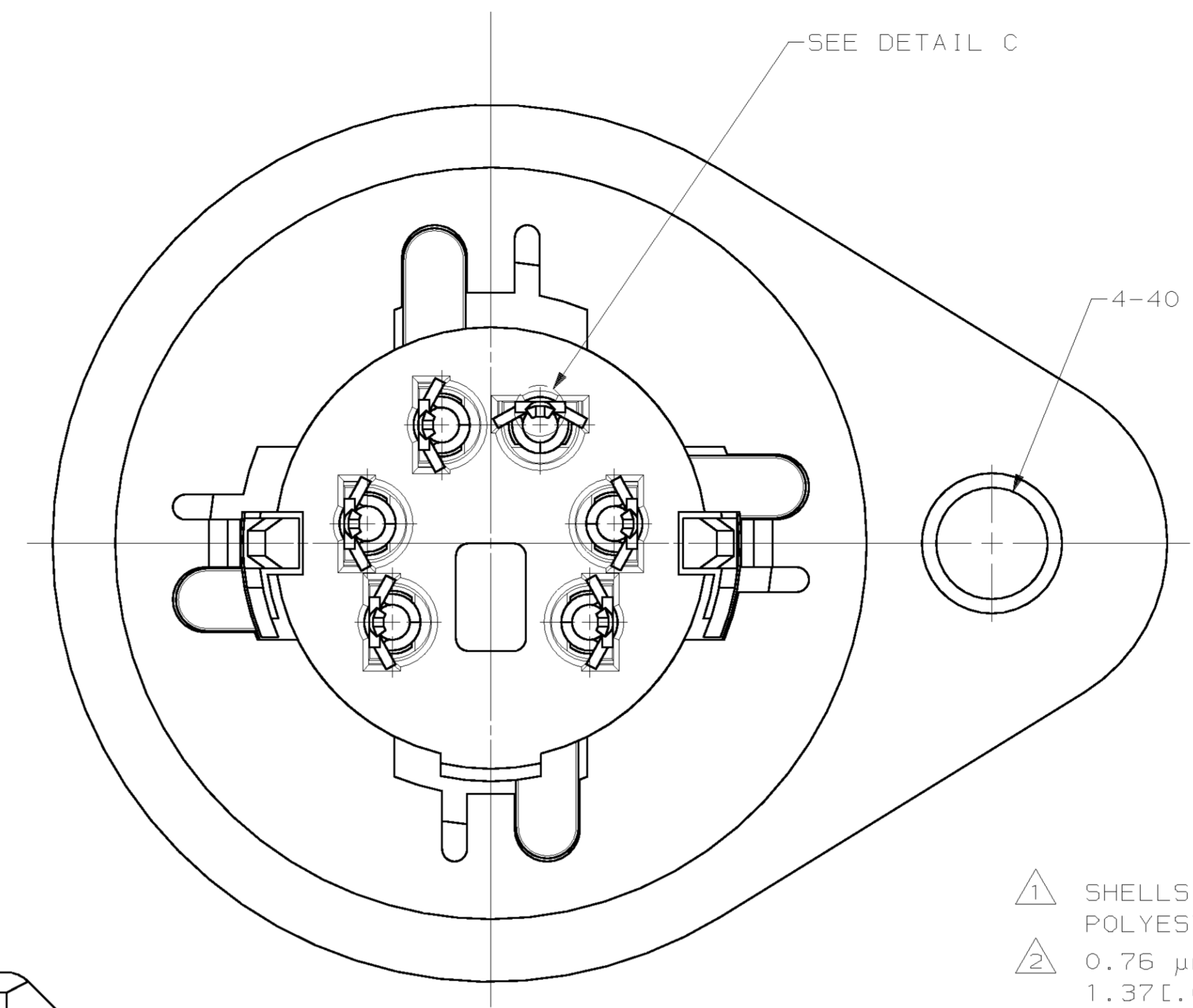
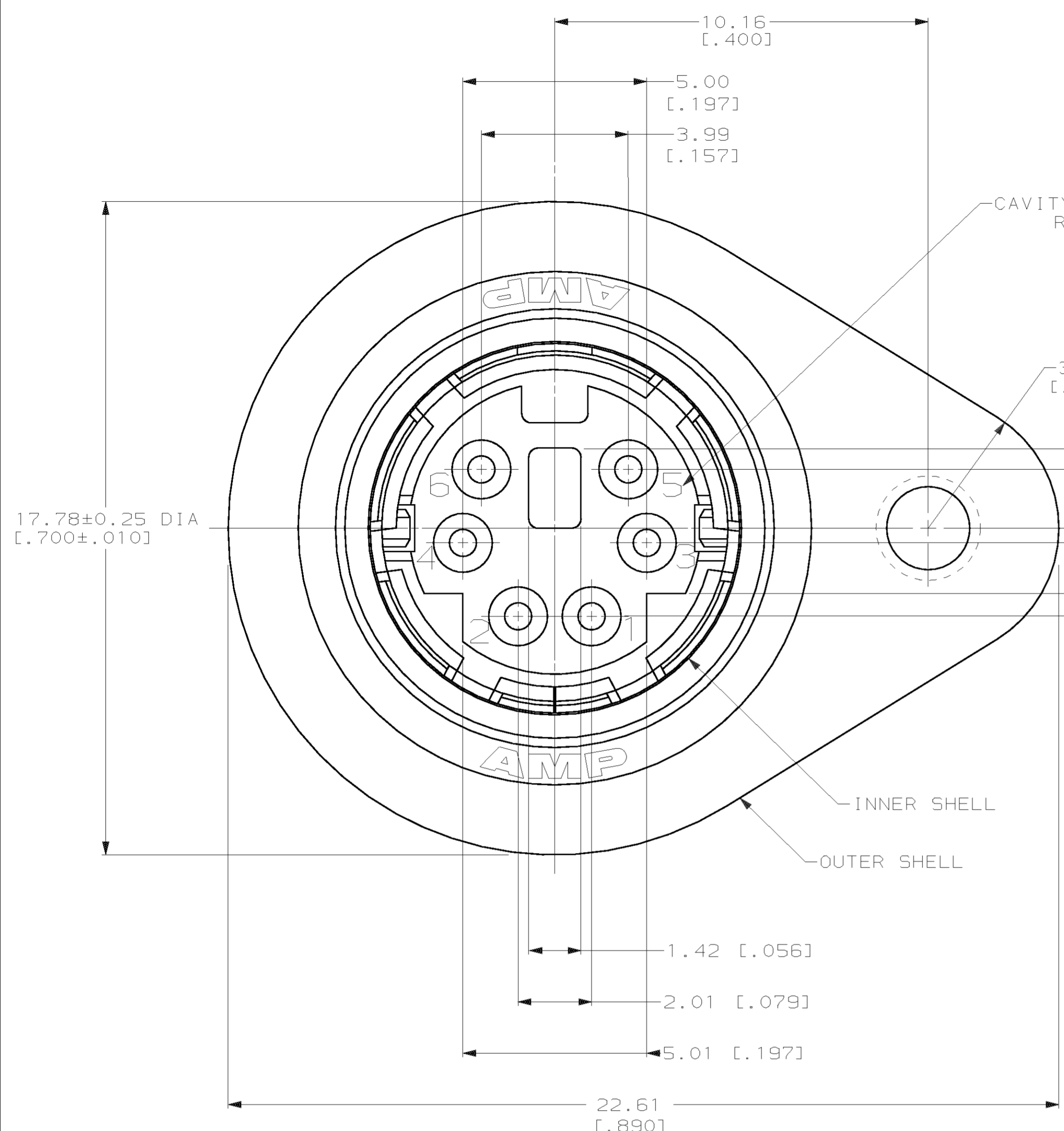
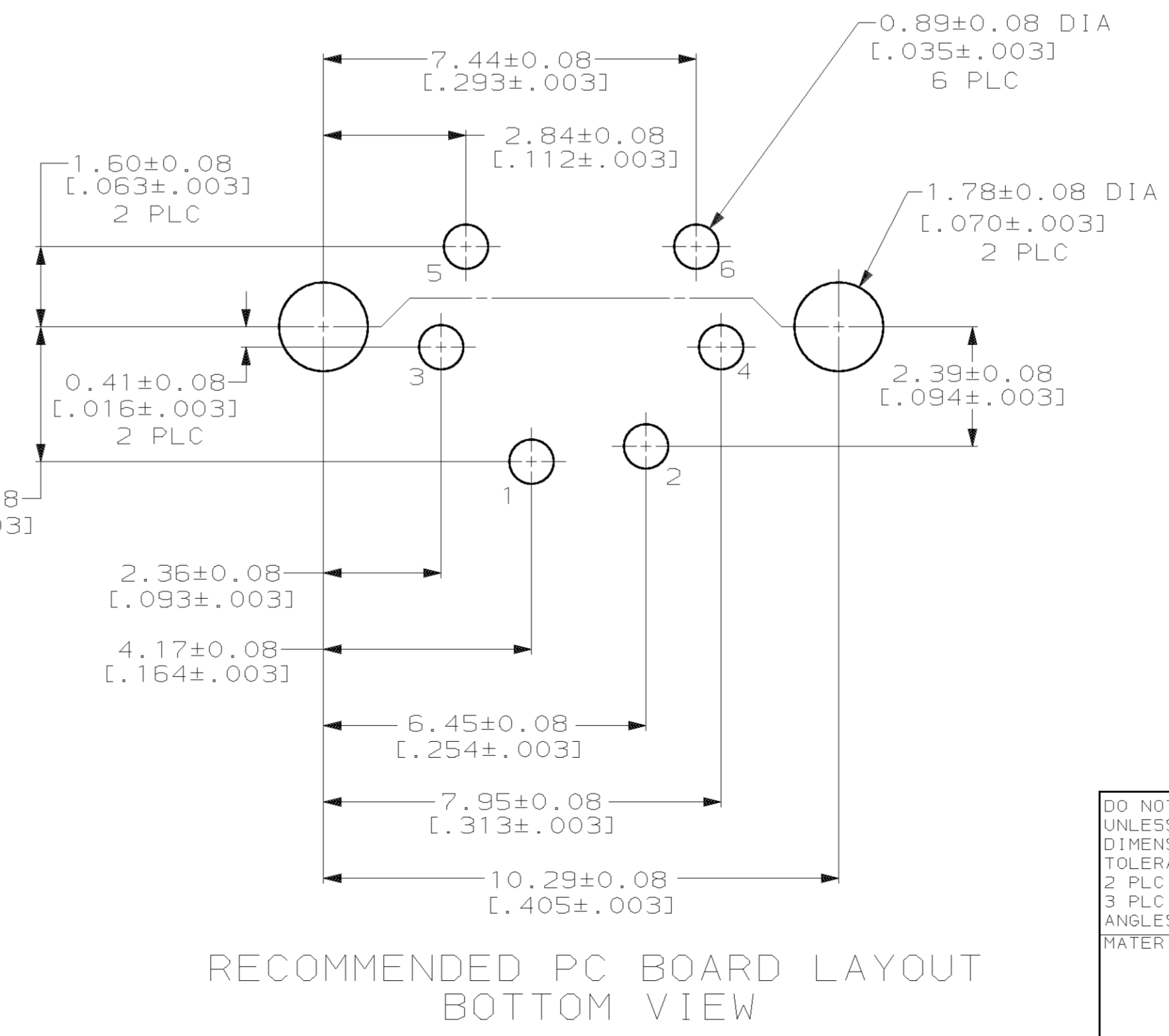
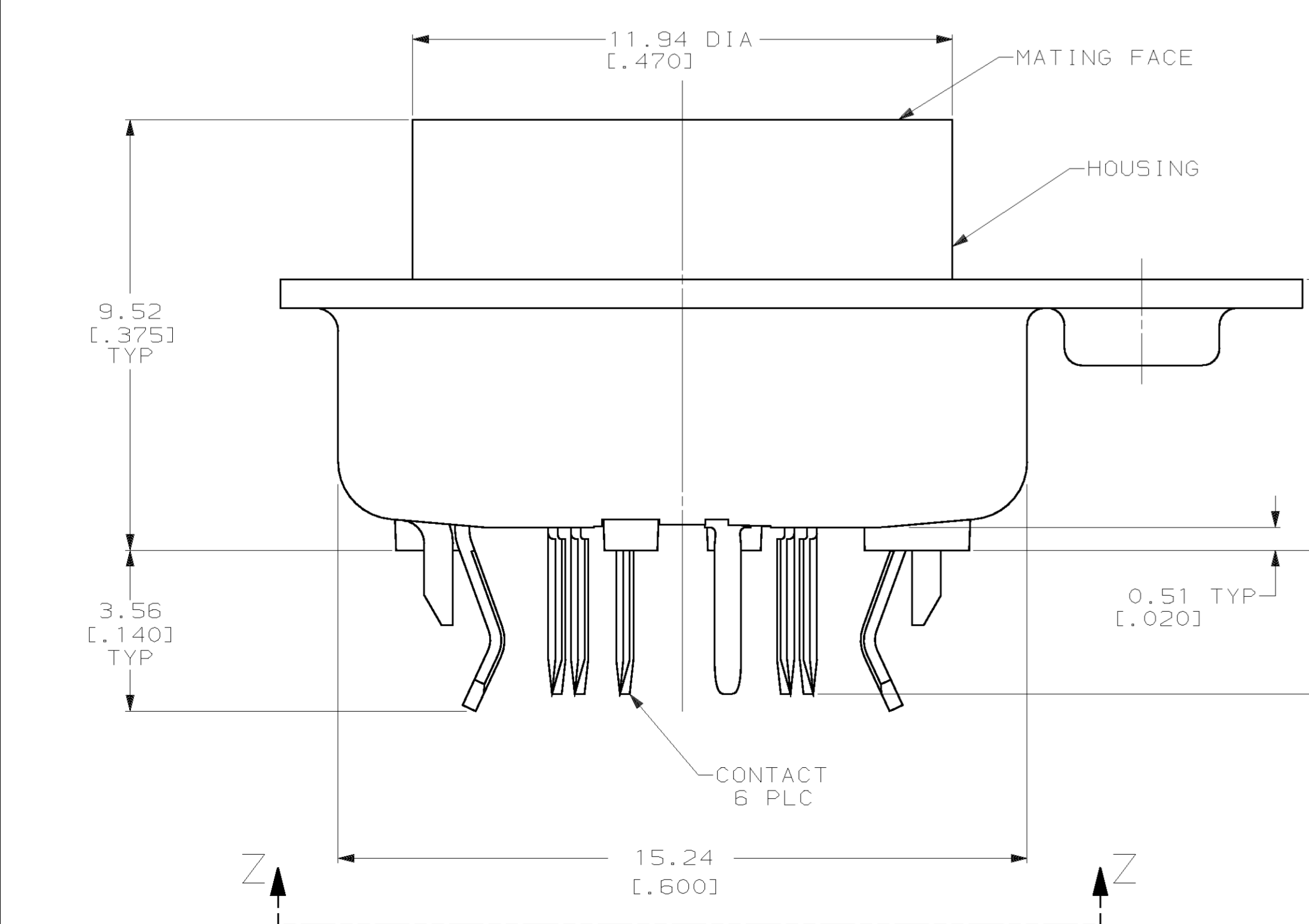


LOC		DIST		P		F		ZONE		LTR		REVISIONS		DATE	APPD	
GP	00												DESCRIPTION			
													D	REV PER EC 0513-0177-03	23 MAY 93	CR



- 1 SHELLS: BRASS; CONTACTS: PHOSPHOR BRONZE; HOUSING: POLYESTER, UL 94V-0 RATED, BLACK.
- 2 0.76 μm [.000030] MIN GOLD ON MATING END FOR A LENGTH OF 1.37 [.054] MIN ON INSIDE, 2.54 μm [.000100] MIN TIN-LEAD FOR A LENGTH OF 3.30 [.130] MIN FROM OPPOSITE END, ALL OVER 1.27 μm [.000050] MIN NICKEL.
- 3 0.38 μm [.000015] MIN GOLD ON MATING END FOR A LENGTH OF 1.37 [.054] MIN ON INSIDE, 2.54 μm [.000100] MIN TIN-LEAD FOR A LENGTH OF 3.30 [.130] MIN FROM OPPOSITE END, ALL OVER 1.27 μm [.000050] MIN NICKEL.
- 4 2.54 μm [.000100] MIN TIN-LEAD OVER 1.27 μm [.000050] MIN NICKEL.
- 5 GOLD PLATING PER MIL-G-45204, TIN PLATING PER MIL-T-10727, NICKEL PLATING PER QQ-N-290, COPPER PLATING PER MIL-C-14550.
- 6 RECEPTACLE MATES WITH 6 PIN, 8.99±0.10 [.354±.004] DIAMETER PLUG.
- 7 3.81 μm [.000150] MIN TIN-LEAD OVER 2.54 μm [.000100] MIN COPPER.
- 8 2.54 μm [.000100] MIN TIN OVER 1.27 μm [.000050] MIN NICKEL.
- 9 3.81 μm [.000150] MIN TIN OVER 2.54 μm [.000100] MIN COPPER.



	9	8	5	750131-3
	5	5	5	750131-2
OBSOLETE	5	5	5	750131-1
	OUTER SHIELD FINISH	INNER SHELL FINISH	CONTACT FINISH	PART NUMBER

DO NOT SCALE PRINT. DIMENSIONS SPECIFIED IN INCHES TOLERANCES: ON: 2 PLC DEC ± 0.13 (.005) 3 PLC DEC ± - ANGLES ± -	DR 03/05/90 W.G.LENKER CHK 3-12-90 R STONE APPD 3-12-90 R WHYNE APPD 3-16-90 J FULPONI	AMP INCORPORATED Harrisburg, Pa. 17105			
MATERIAL	PRODUCT SPEC	NAME RECEPTACLE ASSEMBLY, 6 POSITION, LOW FLANGE, SHIELDED, VERTICAL MOUNT, MINIATURE CIRCULAR DIN			
FINISH SEE TABLE	APPLICATION SPEC	SIZE D	CAGE CODE 00779	DRAWING NO 750131	SHEET 1 OF 1
WEIGHT		SCALE 10:1			

RECOMMENDED PC BOARD LAYOUT  
 BOTTOM VIEW