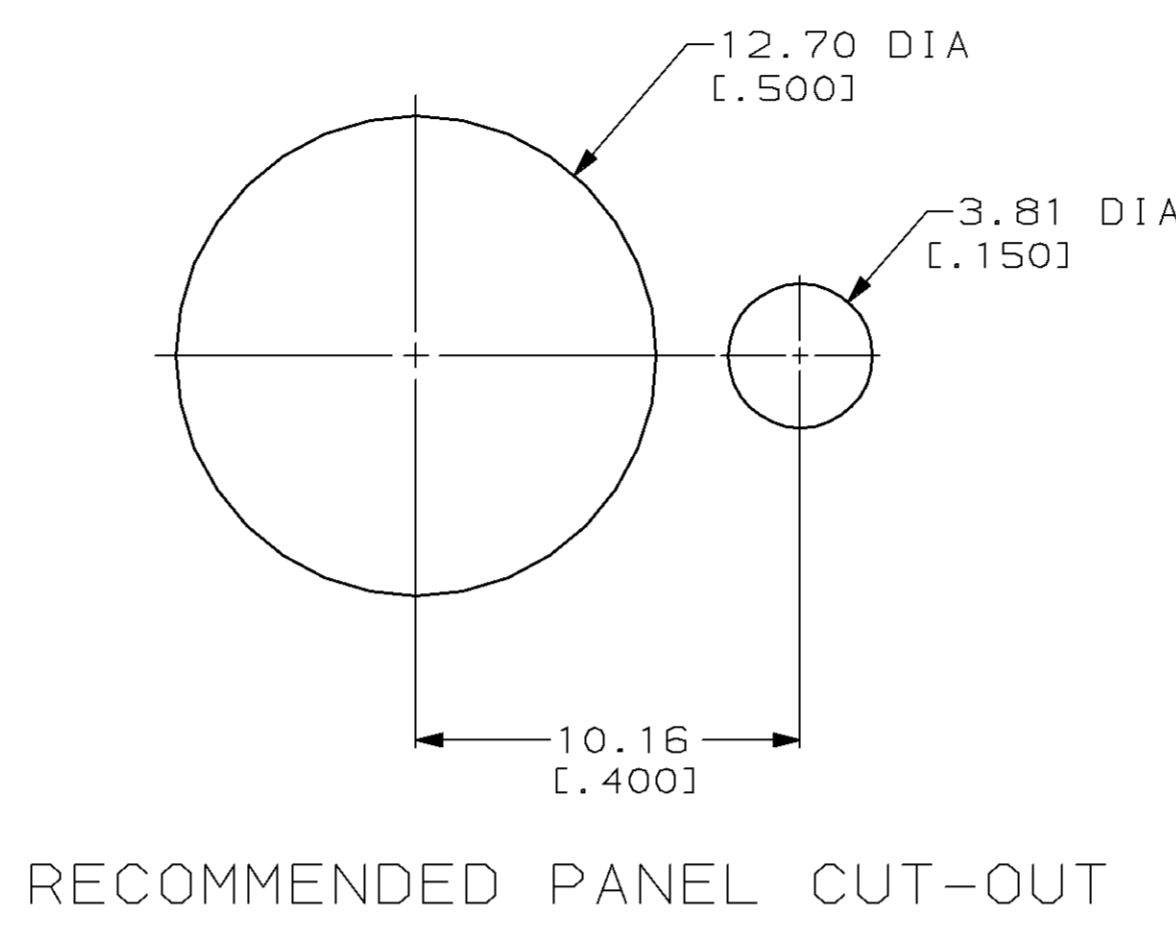
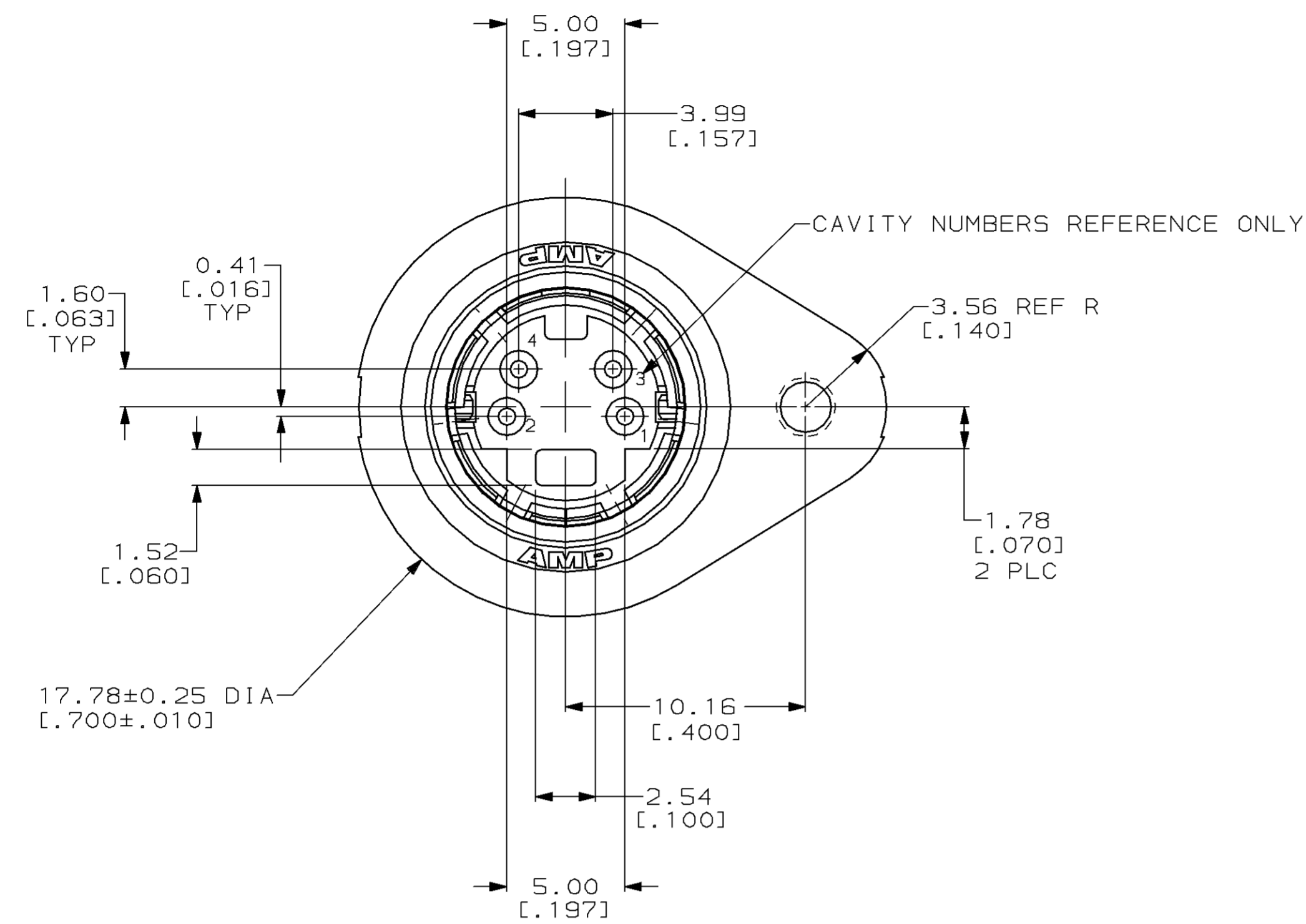
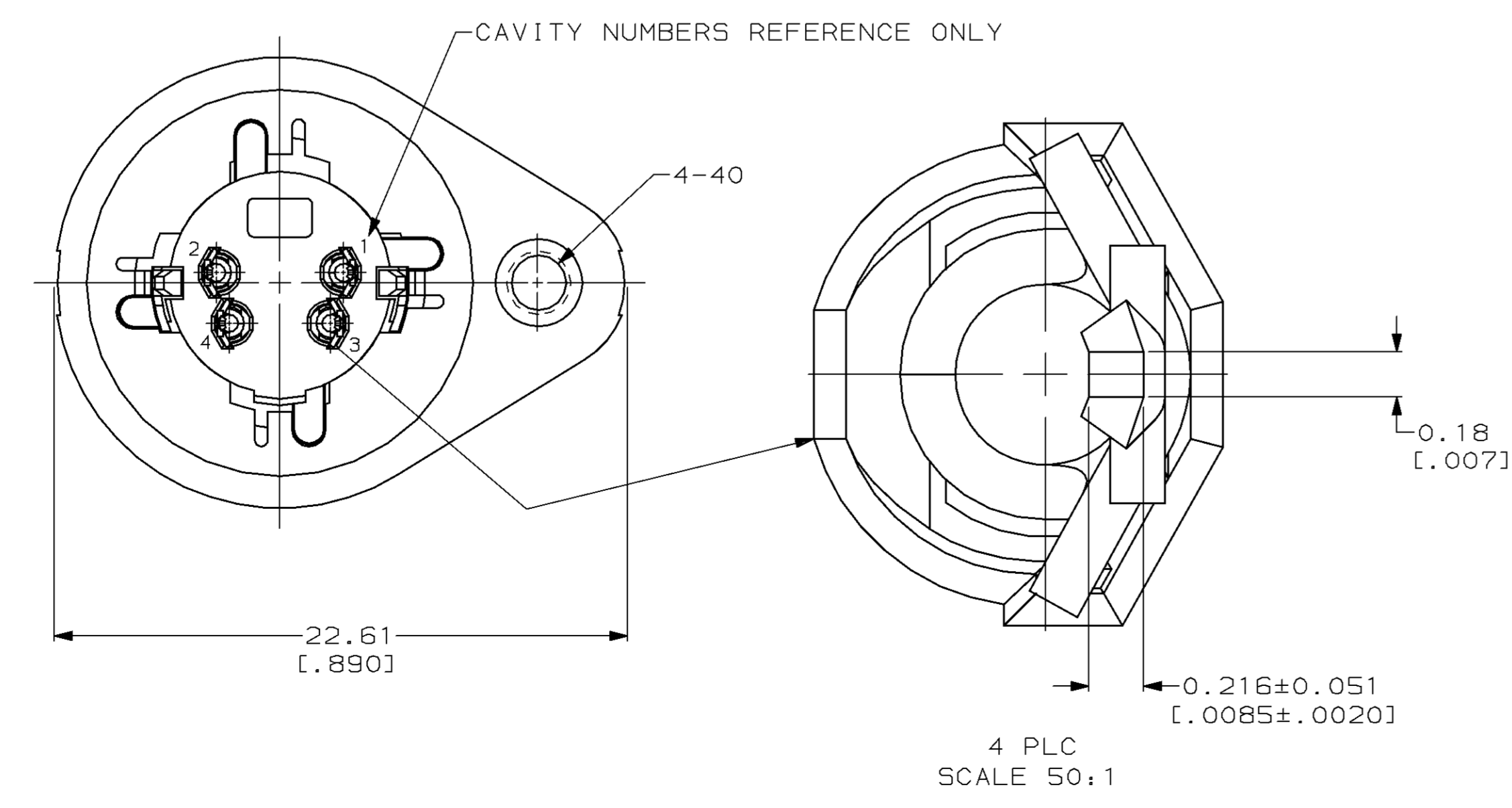
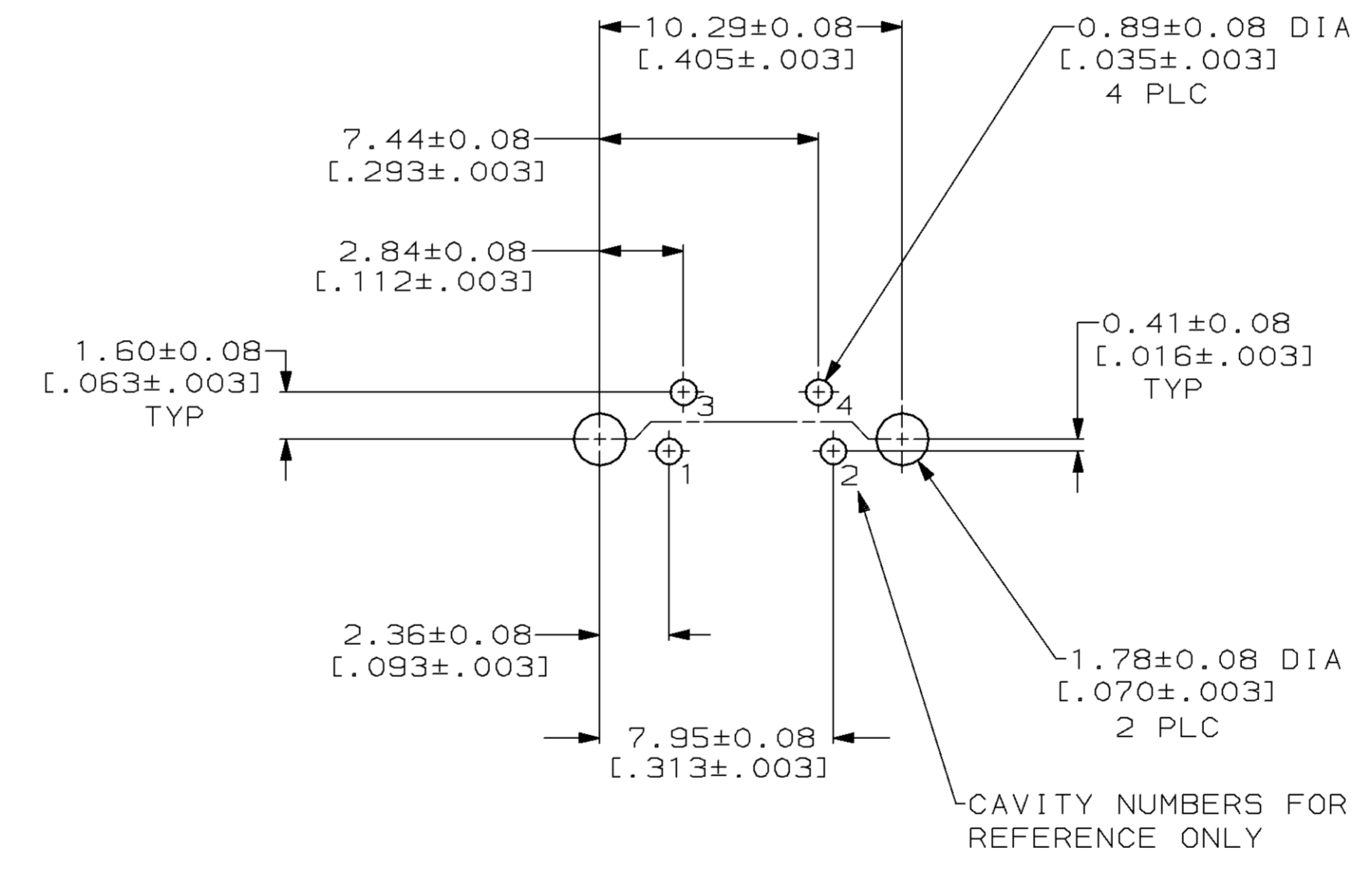
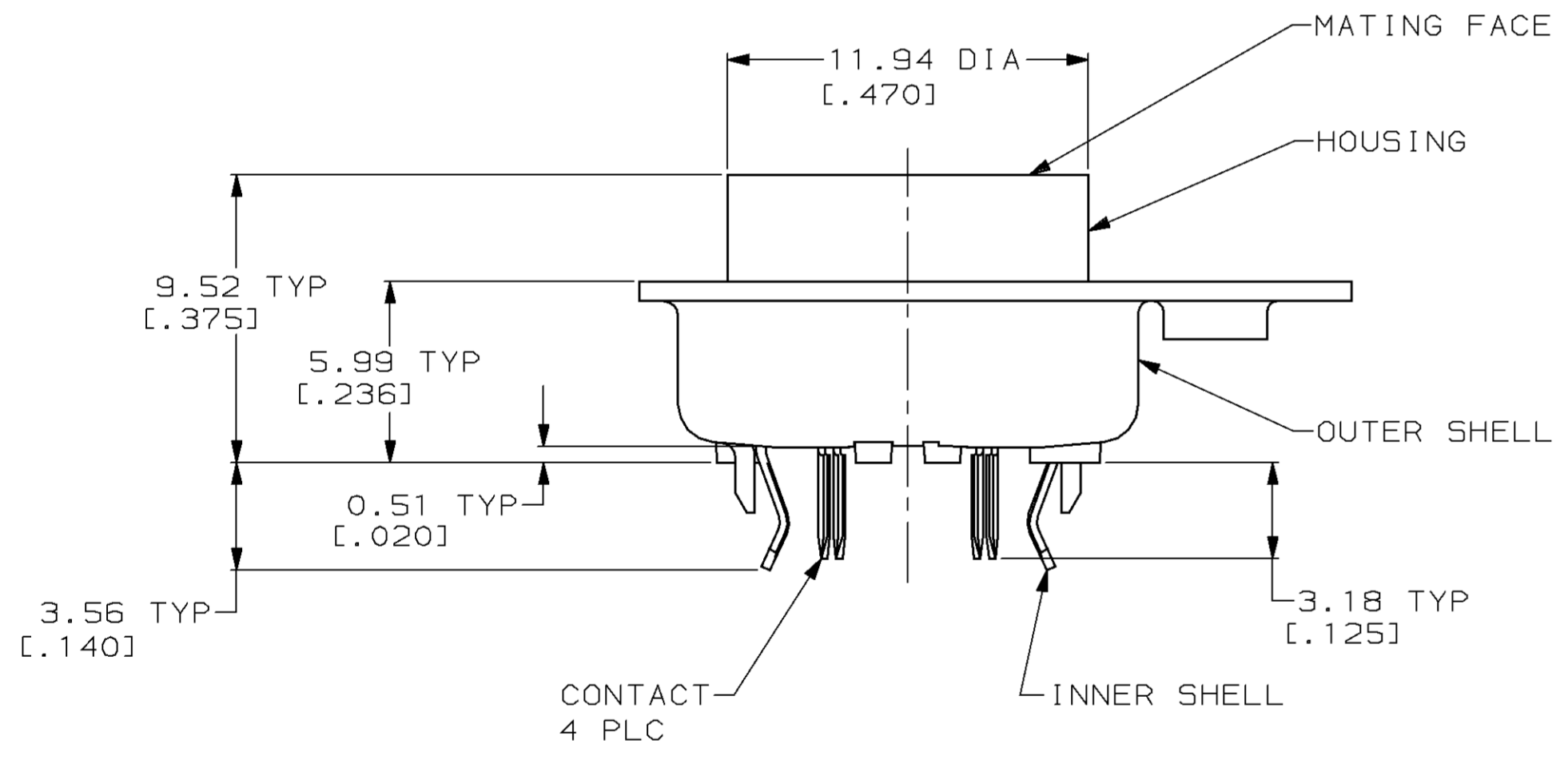


LOC		REVIS		REVISIONS				
BD	26	P	F	ZONE	LTR	DESCRIPTION	DATE	APPD
						0 RLSE WAS 90-4837-4-1 & -2, NPR 2960	8-90	-
						A REVISED PER ECN BD4681	02/08/91	-
						B OBS -1 PER EC 0020-1537-93	03/30/94	RB



- 1 SHELLS: BRASS; CONTACTS: PHOSPHOR BRONZE; HOUSING: POLYESTER, UL 94V-0 RATED, BLACK.
- 2 0.76 μm [.000030] MIN GOLD ON MATING END FOR A LENGTH OF 1.37 [.054] MIN ON INSIDE, 2.54 μm [.000100] MIN TIN-LEAD FOR A LENGTH OF 3.30 [.130] MIN FROM OPPOSITE END, ALL OVER 1.27 μm [.000050] MIN NICKEL.
- 3 0.38 μm [.000015] MIN GOLD ON MATING END FOR A LENGTH OF 1.37 [.054] MIN ON INSIDE, 2.54 μm [.000100] MIN TIN-LEAD FOR A LENGTH OF 3.30 [.130] MIN FROM OPPOSITE END, ALL OVER 1.27 μm [.000050] MIN NICKEL.
- 4 2.54 μm [.000100] MIN TIN-LEAD OVER 1.27 μm [.000050] MIN NICKEL.
- 5 GOLD PLATING PER MIL-G-45204, TIN PLATING PER MIL-T-10727, NICKEL PLATING PER QQ-N-290, COPPER PLATING PER MIL-C-14550.
- 6 RECEPTACLE ASSEMBLY MATES WITH 4 PIN, 8.99±0.10 [.354±.004] DIAMETER PLUG.
- 7 3.81 μm [.000150] MIN TIN-LEAD OVER 2.54 μm [.000100] MIN COPPER.



RECOMMENDED PC BOARD LAYOUT
 BOTTOM VIEW

DO NOT SCALE PRINT. UNLESS SPECIFIED DIMENSIONS IN mm [INCHES]		DR 8-6-90 J McCLINTON		750319-2	
TOLERANCES ON:		CHK 9-5-90 R STONE		750319-1	
2 PLC DEC ± 0.13 [.005]		APPD 9-5-90 R WHYNE		OBSOLETE	
3 PLC DEC ± -		APPD 9-10-90 J FULPONI		CONTACT FINISH	
ANGLES ± -		PRODUCT SPEC -		PART NO	
MATERIAL		APPLICATION SPEC -		AMP Incorporated	
FINISH 1		WEIGHT -		Harrisburg, PA 17105-3608	
CONTACTS: SEE TABLE		SIZE D		NAME	
INNER SHELL: 1		CAGE CODE 00779		RECEPTACLE ASSEMBLY, 4 POSN,	
OUTER SHELL: 1		DRAWING NO 750319		LOW FLANGE, SHIELDED,	
		SCALE 5:1		VERTICAL, MINIATURE CIRCULAR DIN	
		SHEET 1 OF 1			