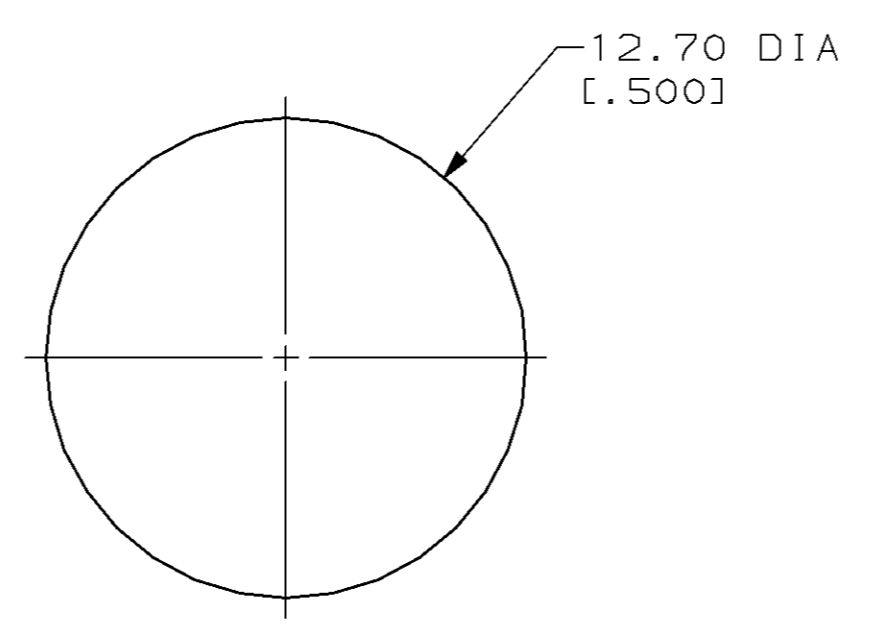
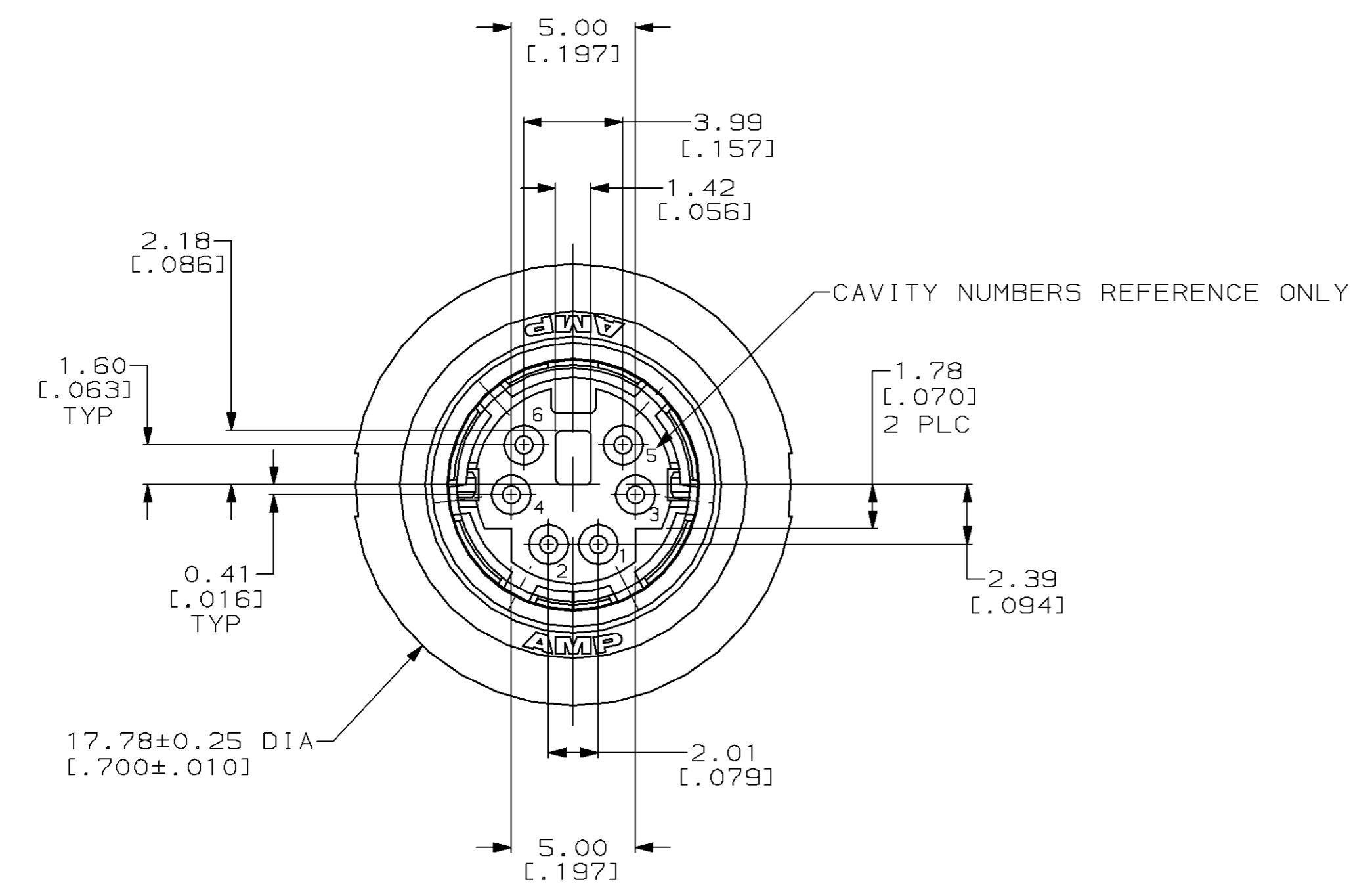
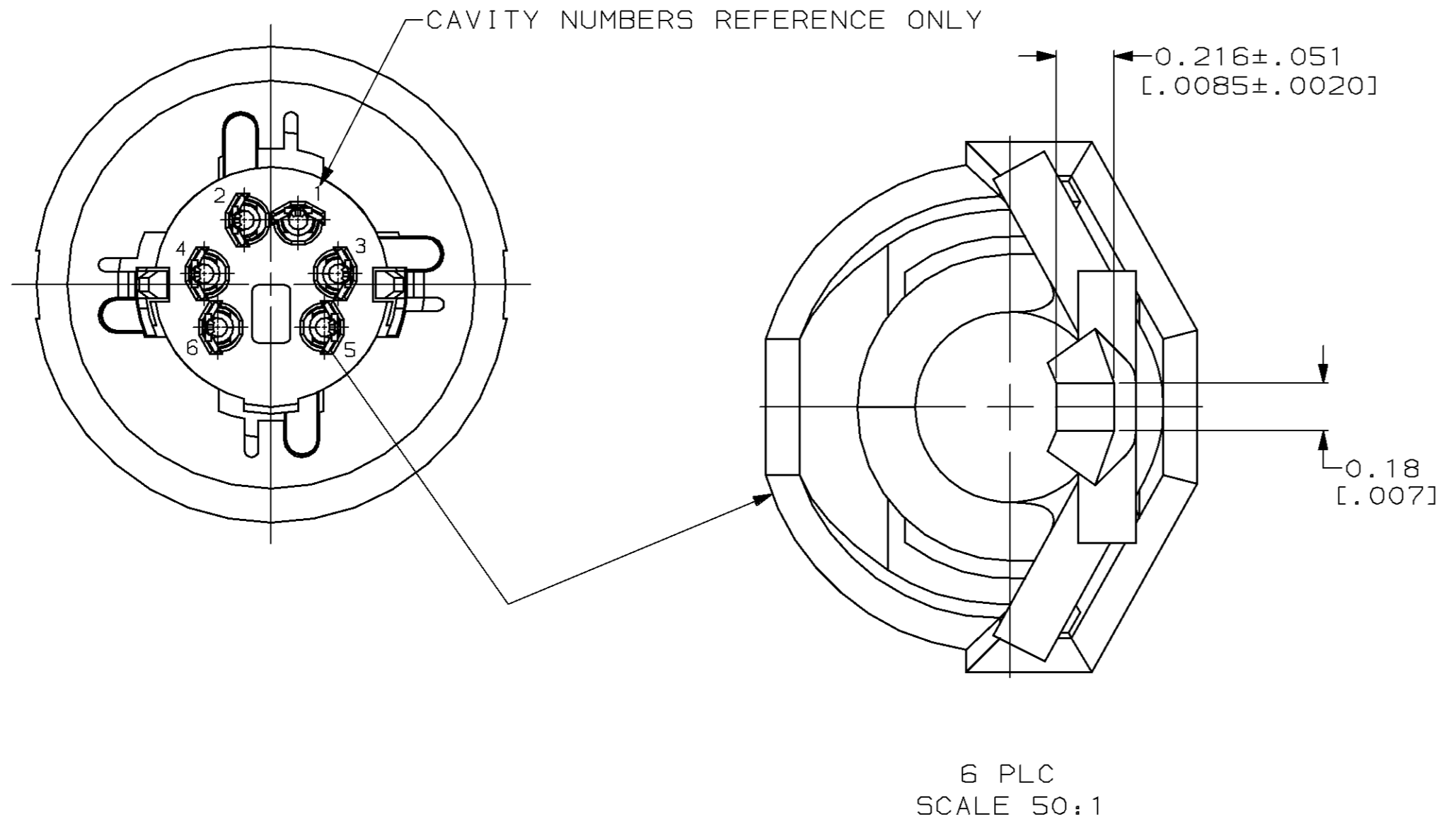
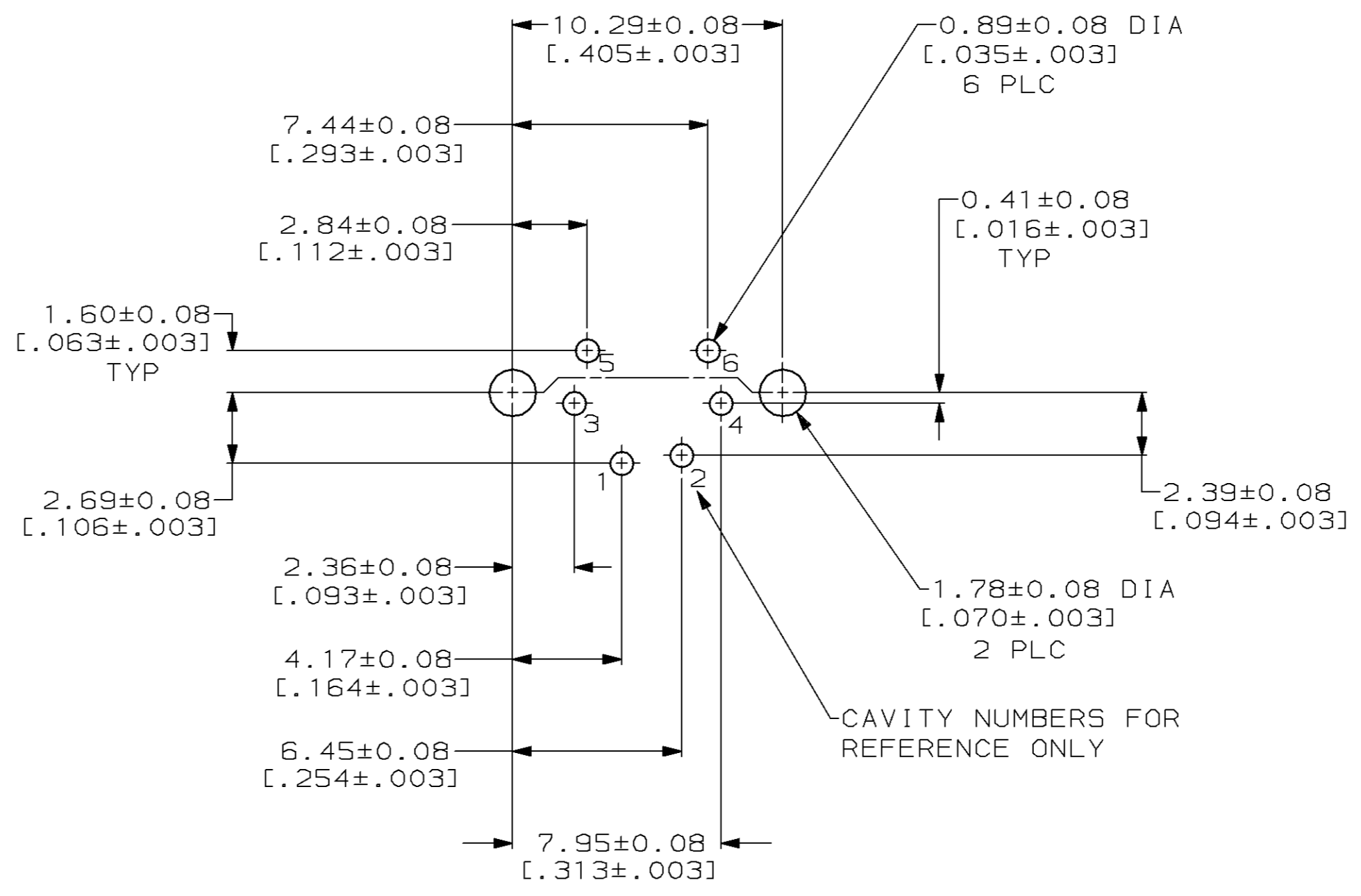
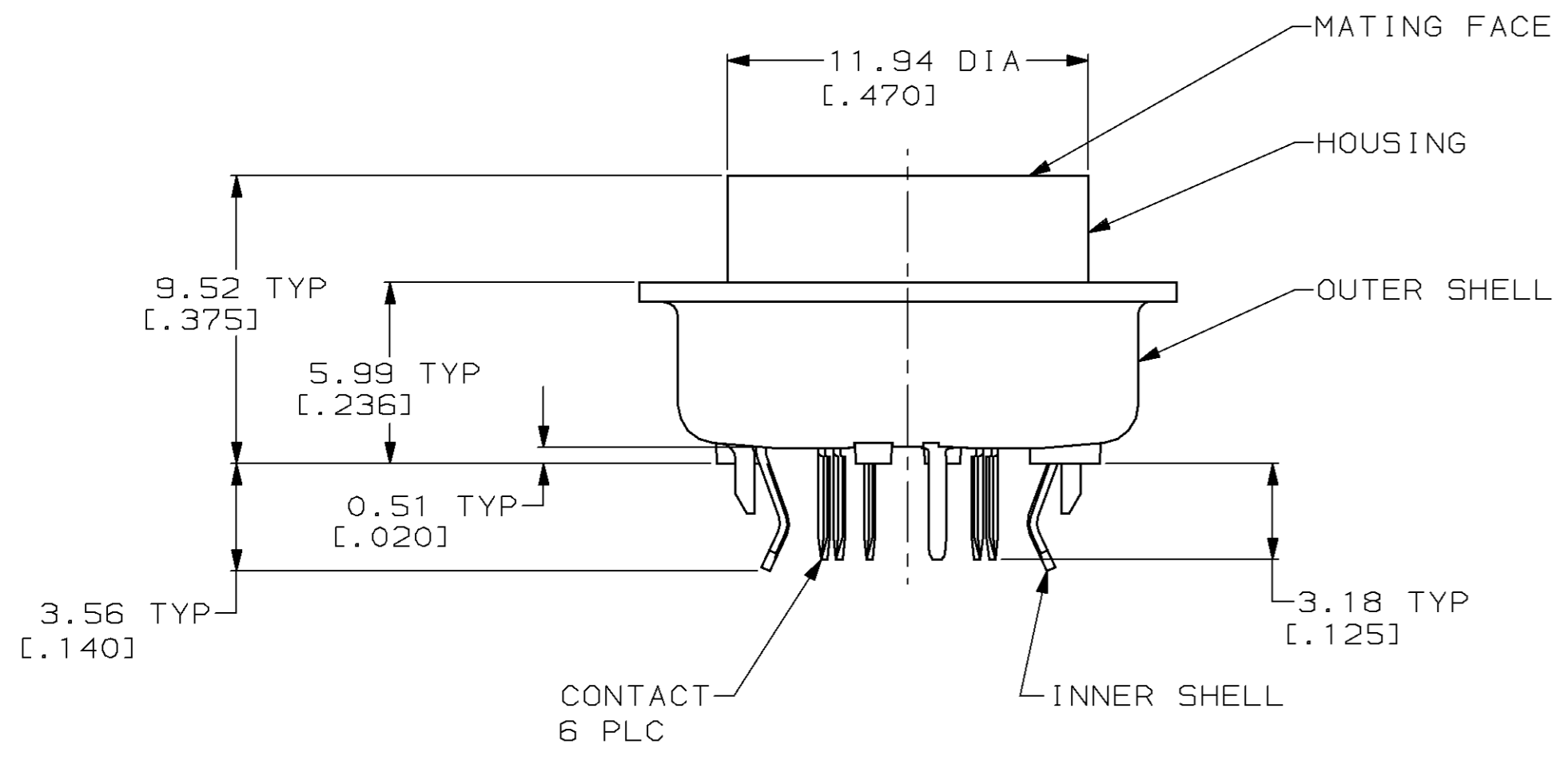


LOC		DIST		P		F		ZONE		LTR		REVISIONS			
BD			26									DESCRIPTION	DATE	APPD	
												0	RLSE NPR 2960	8-90	-
												A	REVISED PER ECN BD4681	02/08/91	-
												B	OBS -1, -2 PER EC 0020-1537-93	03/30/94	RB
												C	REACTIVATED -2 PER ECN 0020-747-94	07/05/94	SFM



- △ SHELLS: BRASS; CONTACTS: PHOSPHOR BRONZE; HOUSING: POLYESTER, UL 94V-0 RATED, BLACK.
- △ 0.76 μm [.000030] MIN GOLD ON MATING END FOR A LENGTH OF 1.37 [.054] MIN ON INSIDE, 2.54 μm [.000100] MIN TIN-LEAD FOR A LENGTH OF 3.30 [.130] MIN FROM OPPOSITE END, ALL OVER 1.27 μm [.000050] MIN NICKEL.
- △ 0.38 μm [.000015] MIN GOLD ON MATING END FOR A LENGTH OF 1.37 [.054] MIN ON INSIDE, 2.54 μm [.000100] MIN TIN-LEAD FOR A LENGTH OF 3.30 [.130] MIN FROM OPPOSITE END, ALL OVER 1.27 μm [.000050] MIN NICKEL.
- △ 2.54 μm [.000100] MIN TIN-LEAD OVER 1.27 μm [.000050] MIN NICKEL.
- △ GOLD PLATING PER MIL-G-45204, TIN PLATING PER MIL-T-10727, NICKEL PLATING PER QQ-N-290, COPPER PLATING PER MIL-C-14550.
- 6. RECEPTACLE ASSEMBLY MATES WITH 6 PIN, 8.99±0.10 [.354±.004] DIAMETER PLUG.
- △ 3.81 μm [.000150] MIN TIN-LEAD OVER 2.54 μm [.000100] MIN COPPER.



RECOMMENDED PC BOARD LAYOUT  
 BOTTOM VIEW

OBSOLETE	△ 2	750329-2
	△ 3	750329-1
	CONTACT FINISH	PART NO

DO NOT SCALE PRINT. UNLESS SPECIFIED DIMENSIONS IN mm [INCHES] TOLERANCES ON:		DR 8-6-90 R. SHIREY		<b>AMP</b> AMP Incorporated Harrisburg, PA 17105-3608
2 PLC DEC ± 0.13 [.005]		CHK 9-5-90 R. STONE		
3 PLC DEC ± -		APPD 9-5-90 R. WHYNE		NAME
ANGLES ± -		APPD 9-10-90 J. FULPONI		RECEPTACLE ASSEMBLY, 6 POSN, LOW FLANGE, SHIELDED, VERTICAL, MINIATURE CIRCULAR DIN
MATERIAL		PRODUCT SPEC		SIZE
FINISH △		APPLICATION SPEC		CAGE CODE
CONTACTS: SEE TABLE				DRAWING NO
INNER SHELL: △				750329
OUTER SHELL: △		WEIGHT -		SCALE
		5:1		SHEET
				1 OF 1