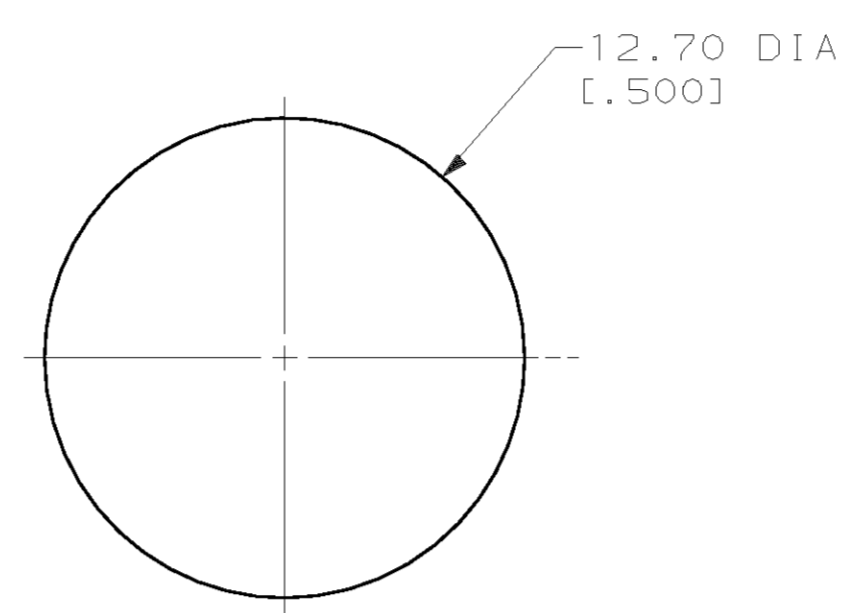
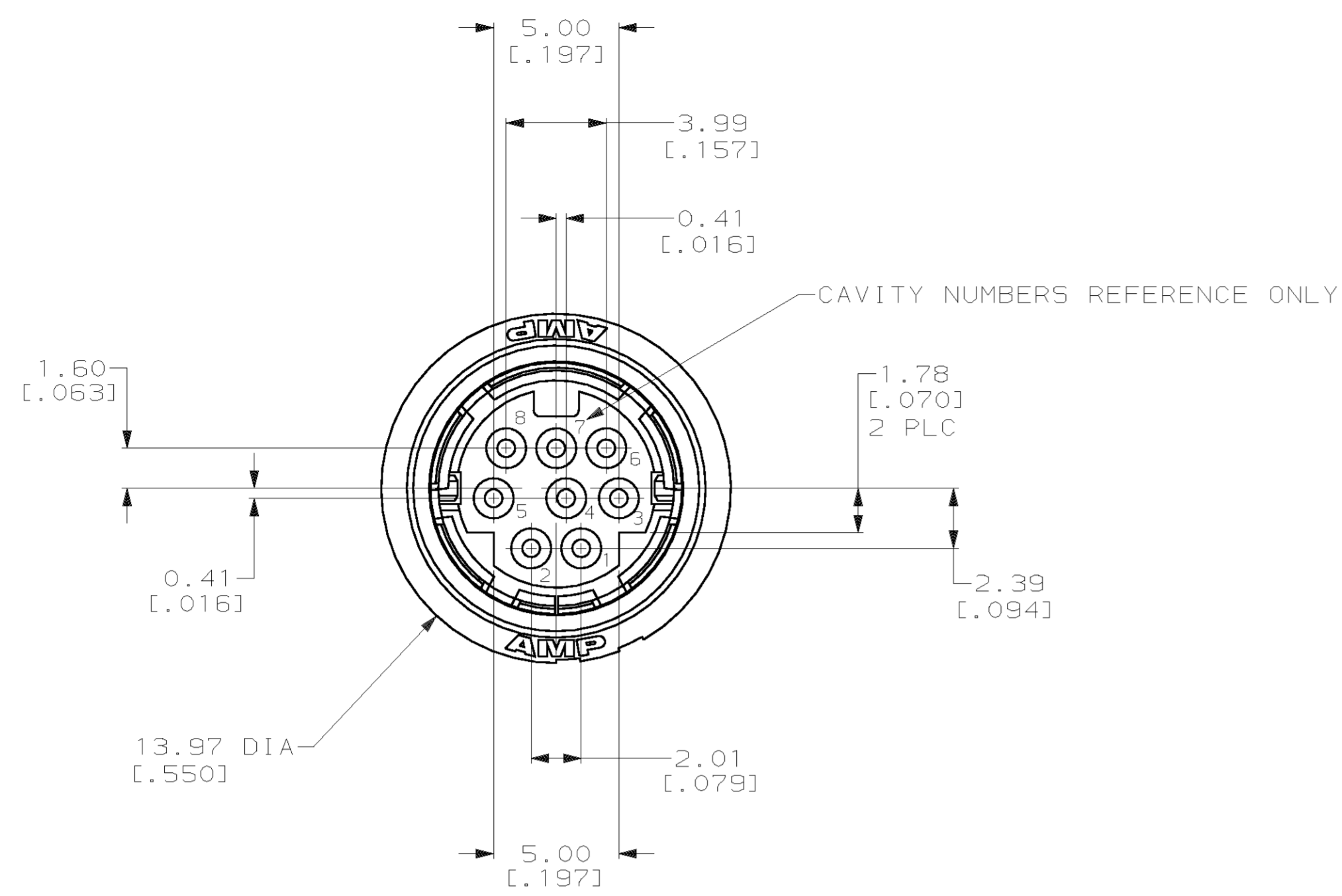
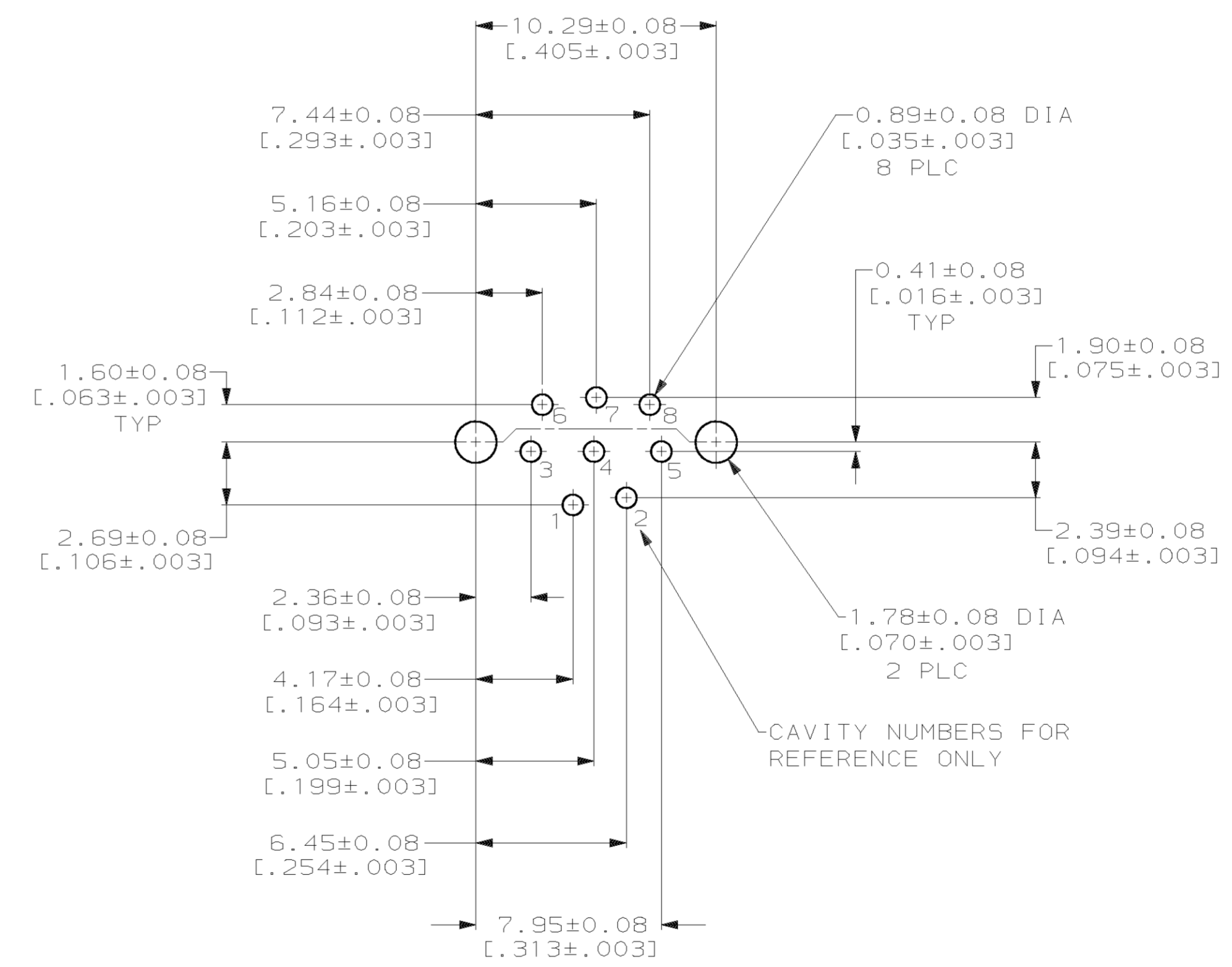
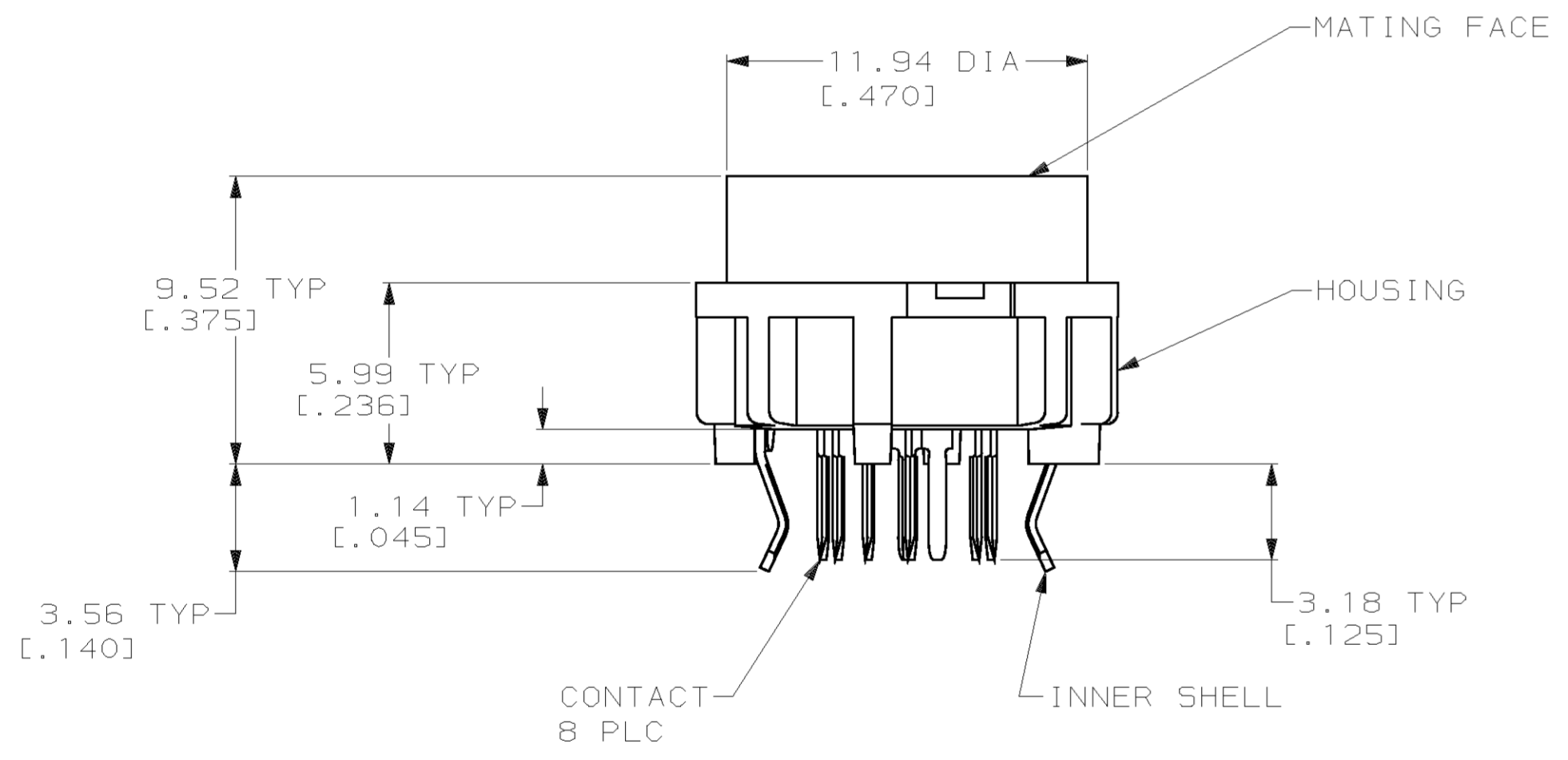


LOC		DIST		P		F		ZONE		LTR		REVISIONS			
GP	00											DESCRIPTION	DATE	APPD	
												C	REV PER EC 0513-0177-03	25/05/03	CR

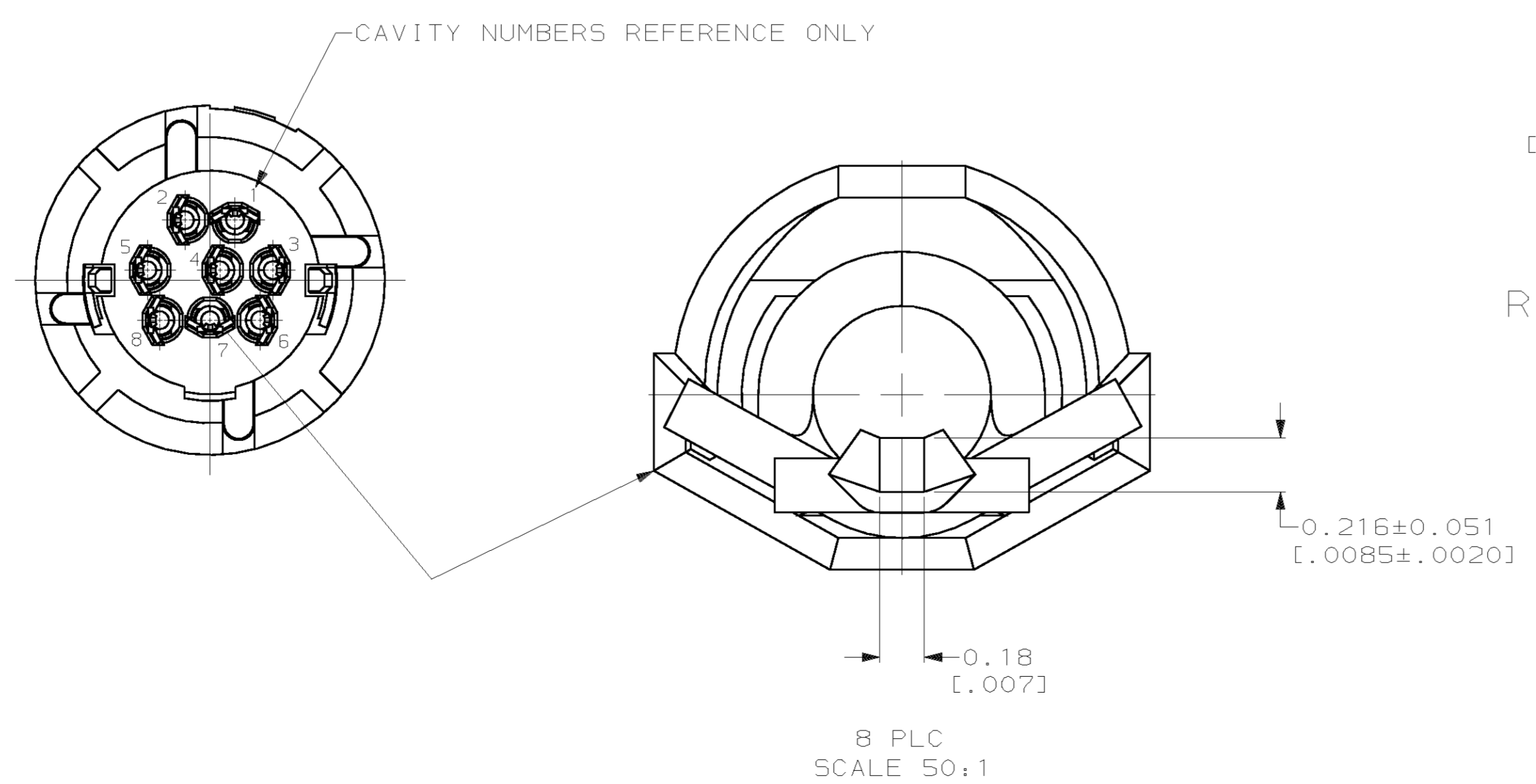


RECOMMENDED PANEL CUT-OUT

- △ SHELL: BRASS; CONTACTS: PHOSPHOR BRONZE; HOUSING: POLYESTER, UL 94V-0 RATED, BLACK.
- △ 0.76 μm [.000030] MIN GOLD ON MATING END FOR A LENGTH OF 1.37 [.054] MIN ON INSIDE, 2.54 μm [.000100] MIN TIN-LEAD FOR A LENGTH OF 3.30 [.130] MIN FROM OPPOSITE END, ALL OVER 1.27 μm [.000050] MIN NICKEL.
- △ 0.38 μm [.000015] MIN GOLD ON MATING END FOR A LENGTH OF 1.37 [.054] MIN ON INSIDE, 2.54 μm [.000100] MIN TIN-LEAD FOR A LENGTH OF 3.30 [.130] MIN FROM OPPOSITE END, ALL OVER 1.27 μm [.000050] MIN NICKEL.
- △ 2.54 μm [.000100] MIN TIN-LEAD OVER 1.27 μm [.000050] MIN NICKEL.
- △ GOLD PLATING PER MIL-G-45204, TIN PLATING PER MIL-T-10727, NICKEL PLATING PER QQ-N-290.
- 6. RECEPTACLE ASSEMBLY MATES WITH 8 PIN, 8.99±0.10 [.354±.004] DIAMETER PLUG.
- △ 2.54 μm [.000100] MIN TIN OVER 1.27 μm [.000050] MIN NICKEL.



RECOMMENDED PC BOARD LAYOUT
 BOTTOM VIEW



8 PLC
 SCALE 50:1

INNER SHELL FINISH	CONTACT FINISH	PART NO
△ 2 △ 5	△ 2 △ 5	750337-3
△ 4 △ 5	△ 2 △ 5	750337-2
△ 4 △ 5	△ 3 △ 5	750337-1

DO NOT SCALE PRINT. UNLESS SPECIFIED DIMENSIONS IN mm [INCHES] TOLERANCES ON: 2 PLC DEC ± 0.13 [.005] 3 PLC DEC ± - ANGLES ± -		DR 8-2-90 J McCLINTON		AMP AMP Incorporated Harrisburg, PA 17105-3608 NAME RECEPTACLE ASSEMBLY, 8 POSN, LOW FLANGE, UNSHIELDED, VERTICAL, MINIATURE CIRCULAR DIN	
MATERIAL		CHK 9-5-90 R. STONE			
FINISH		APPD 9-5-90 R. WHYNE		SIZE	
SEE TABLE		APPD 9-10-90 J. FULPONI		D 00779	
		PRODUCT SPEC		CAGE CODE	
		APPLICATION SPEC		00779	
		WEIGHT		DRAWING NO	
				750337	
				SCALE	
				5:1	
				SHEET	
				1 OF 1	