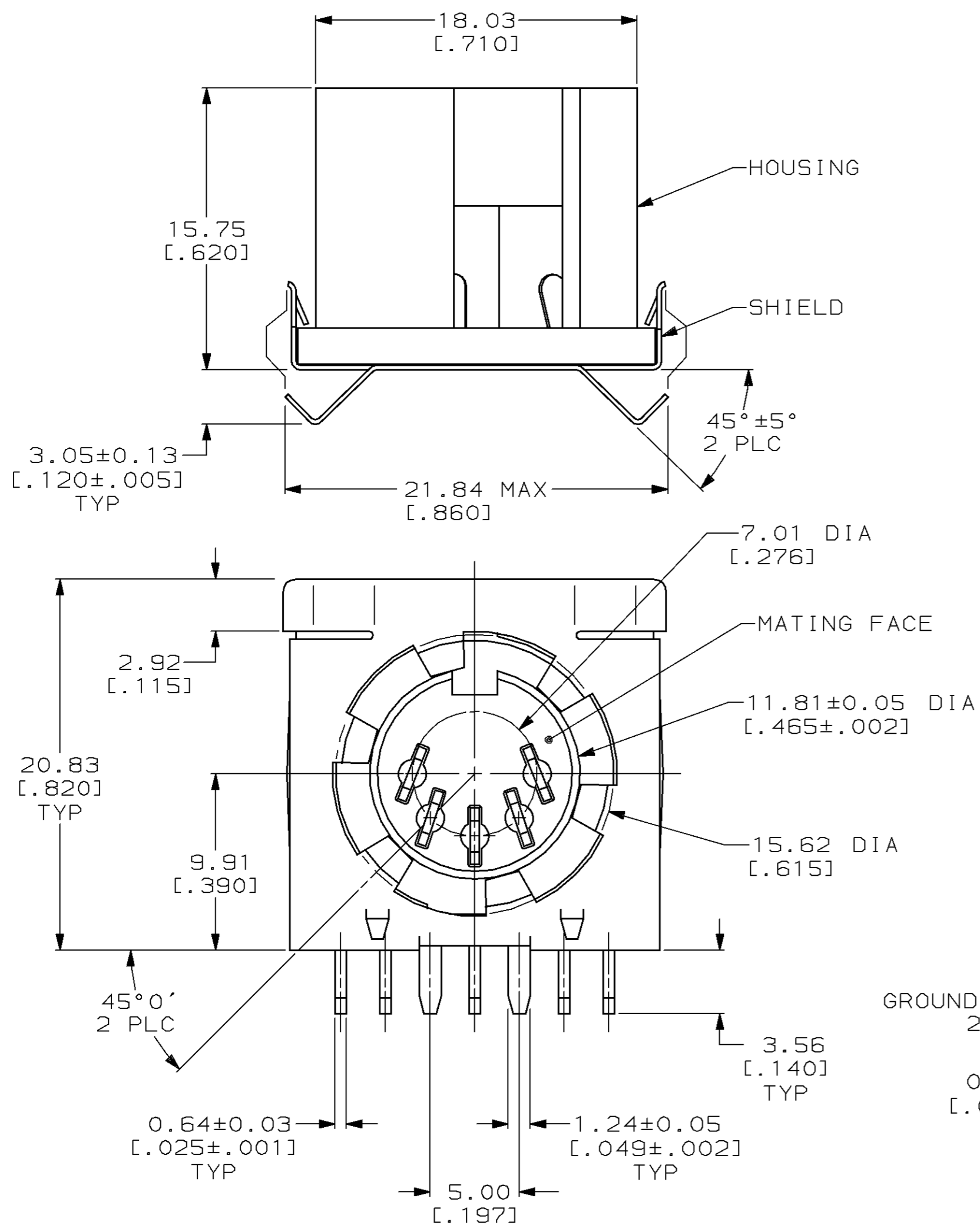
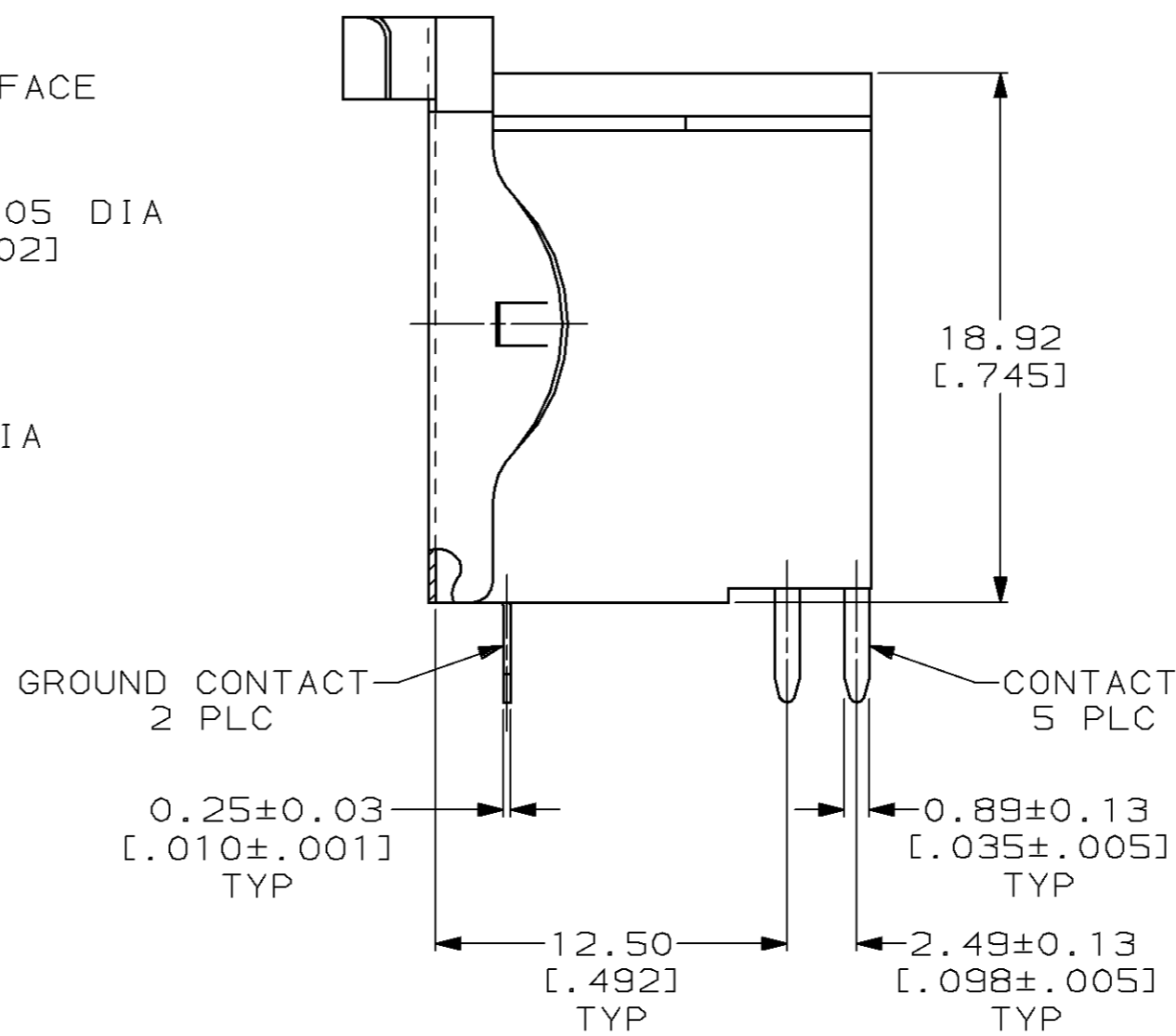


THIS DRAWING IS UNPUBLISHED. RELEASED FOR PUBLICATION, 19 .
 © COPYRIGHT 19 BY AMP INCORPORATED. ALL INTERNATIONAL RIGHTS RESERVED.

LOC	DIST	P	F	REVISIONS				
				ZONE	LTR	DESCRIPTION	DATE	APPD
BD	20				0	RLSE NPR 3132, WAS 89-4905-3-1	09/24/90	-
					A	REV PER EC0020-1394-93	12/20/93	SK



- ① NYLON, UL 94V-0 RATED, BLACK.
- ② 2.54µm [.000100] MIN TIN-LEAD OVER 1.27µm [.000050] MIN NICKEL.
- ③ 2.54µm [.000100] MIN TIN OVER 1.27µm [.000050] MIN NICKEL.
- ④ RECEPTACLE ASSEMBLY MATES WITH 5 POSN PLUG ASSEMBLY, P/N 212437-3.
- ⑤ MATING FACE CONFORMS TO DIN SPEC 41524.



METRIC

		750477-1	
		PART NO	
DO NOT SCALE PRINT. UNLESS SPECIFIED DIMENSIONS IN mm [INCHES] TOLERANCES ON: 2 PLC DEC ± 0.25 [.010] 3 PLC DEC ± - ANGLES ± 0°30'		DR 09/24/90 S. WELDON	
MATERIAL HOUSING: ① SHIELD & CONTACTS: BRASS		CHK 10/02/93 R. STONE	
FINISH CONTACTS: ② SHIELD: ③		APPD 10/02/93 R. WHYNE	
		APPD 10/03/93 J. FULPONI	
		PRODUCT SPEC 108-10047	
		APPLICATION SPEC 114-40025	
		WEIGHT -	
		NAME RECEPTACLE ASSEMBLY, 5 POSN, RIGHT ANGLE, W/ FRONT PANEL GROUNDING FINGERS, CIRCULAR DIN	
		SIZE C	CAGE CODE 00779
		DRAWING NO 750477	
		SCALE 4:1	SHEET 1 OF 1