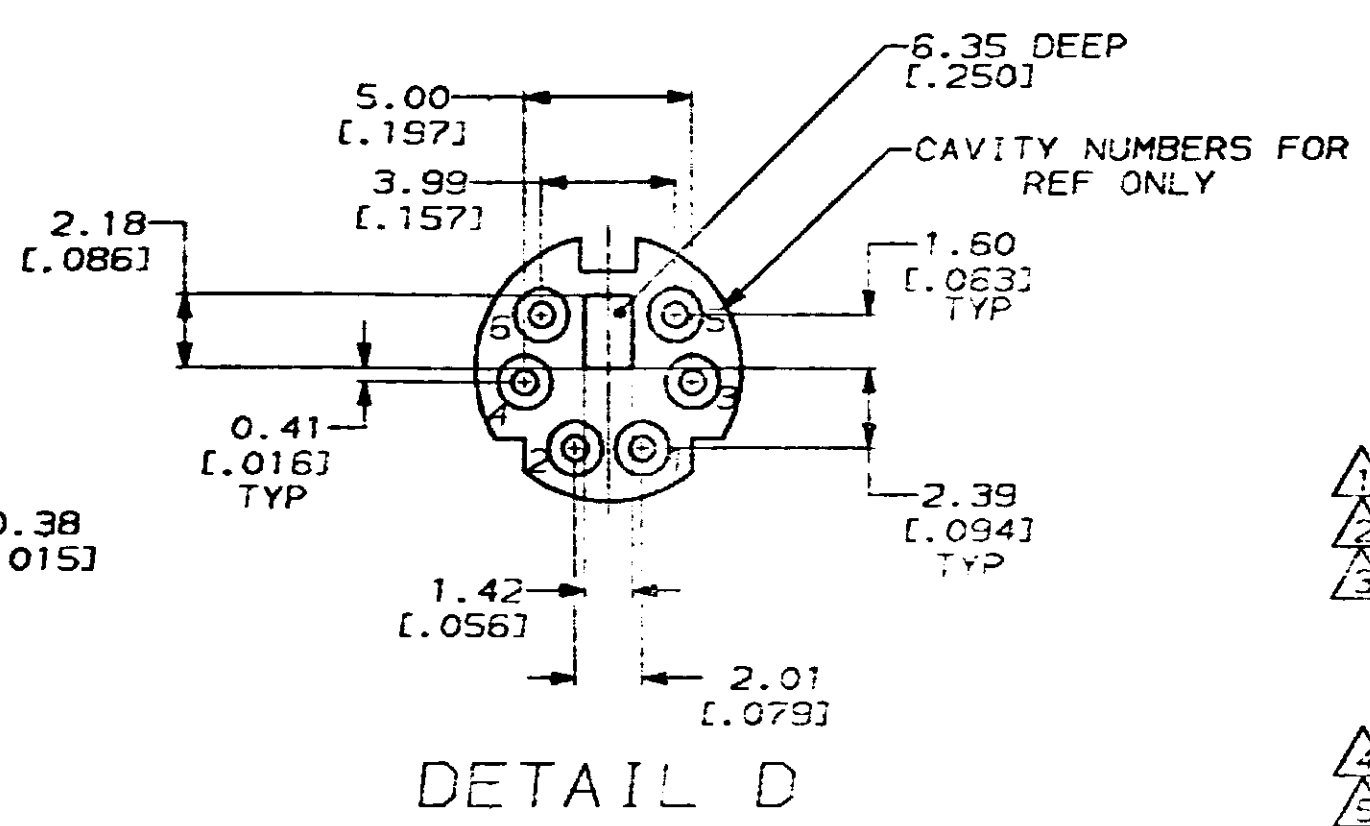
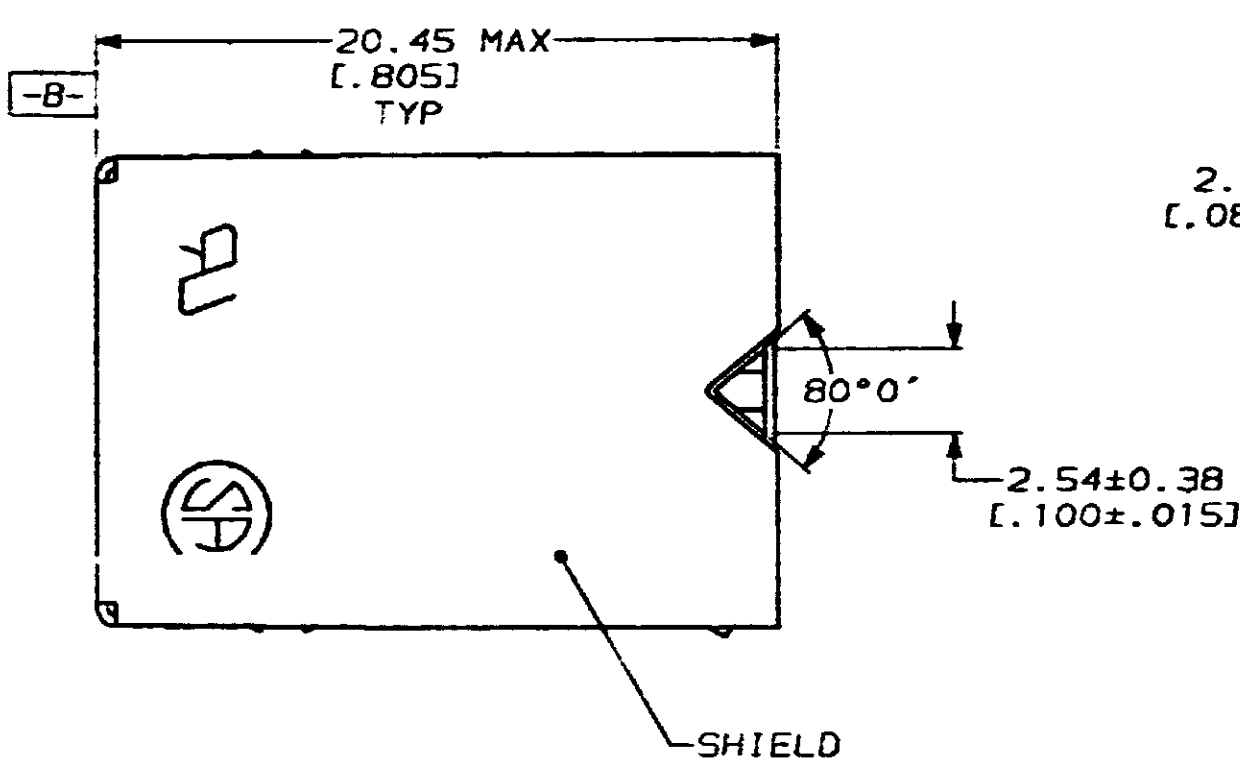
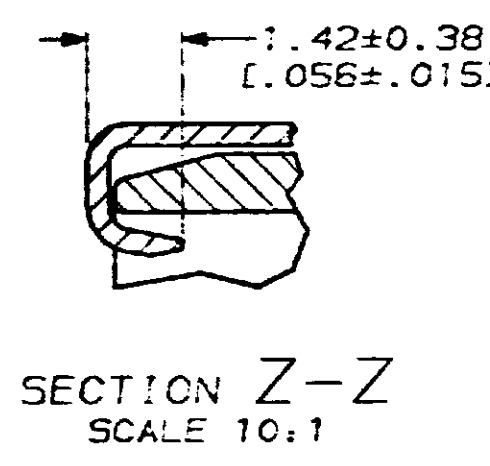
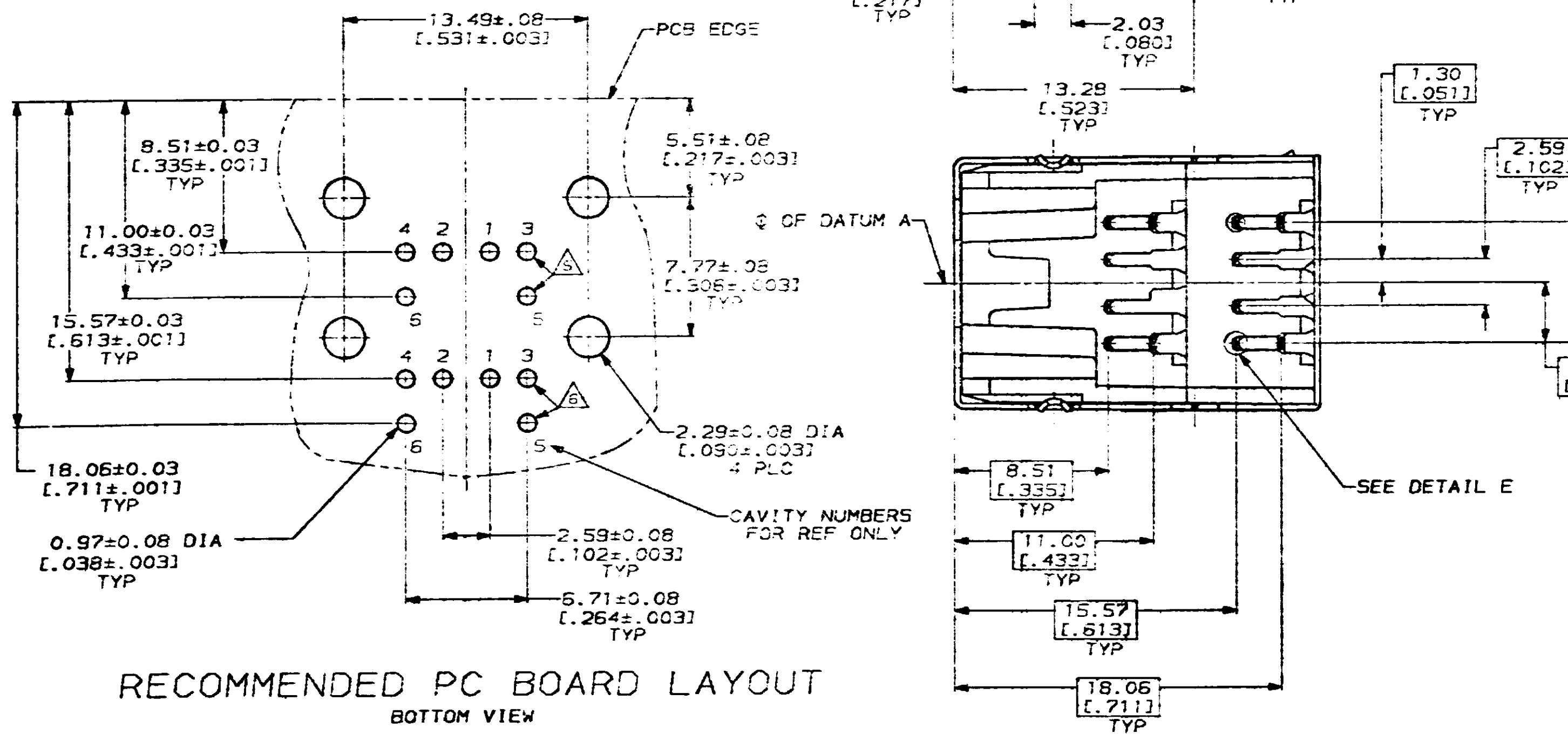
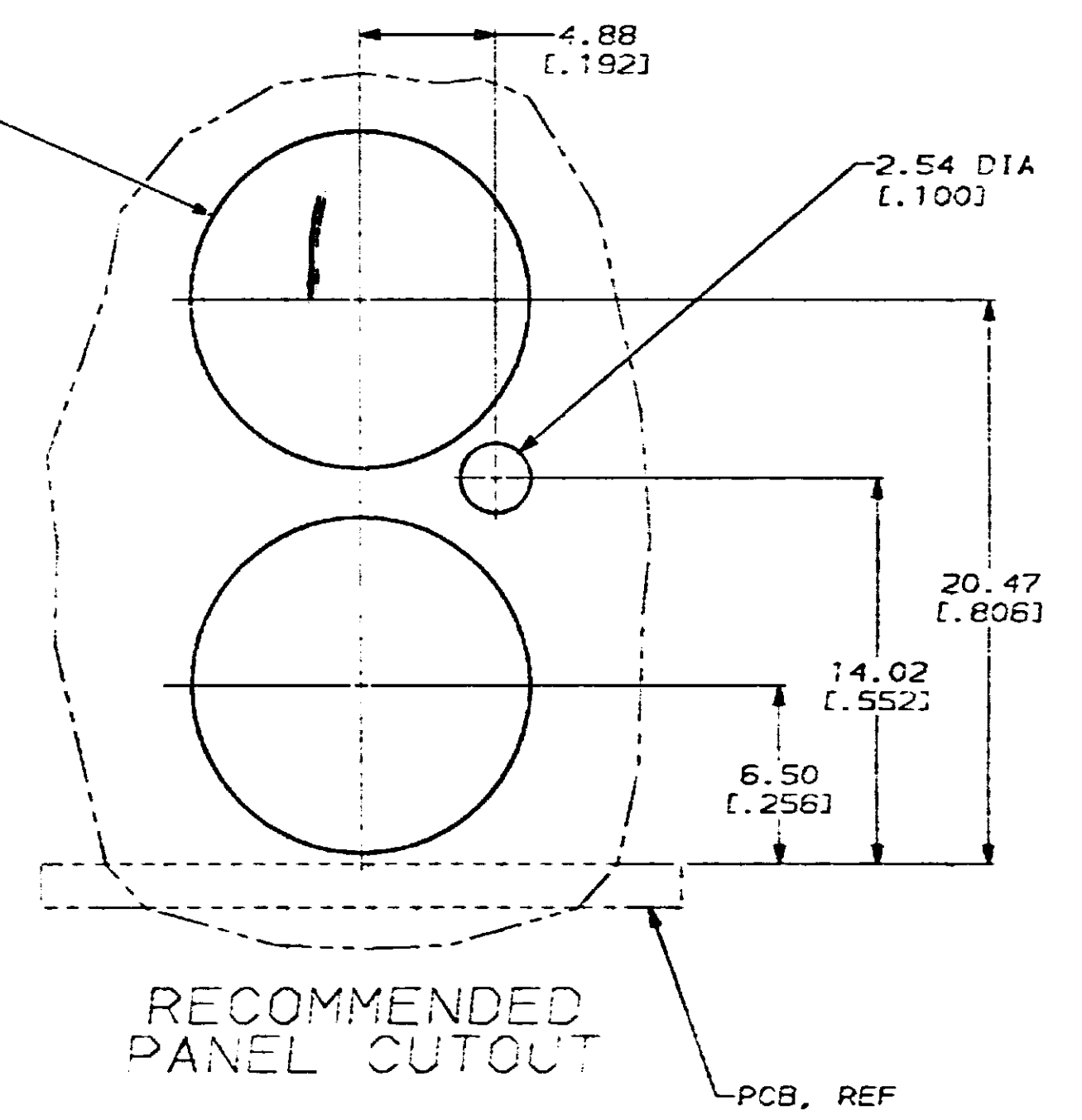
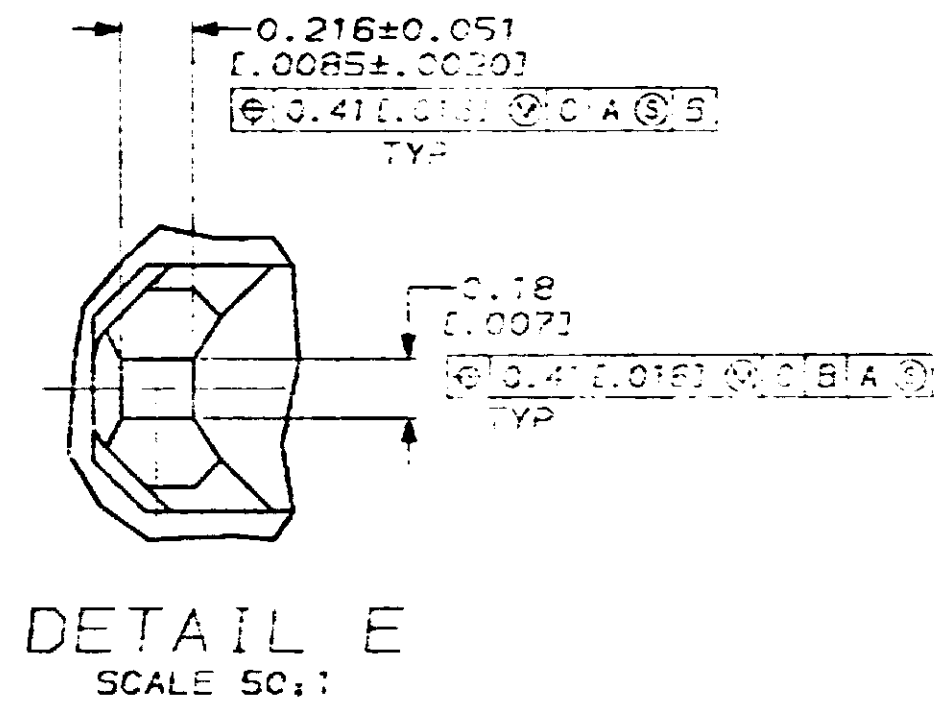
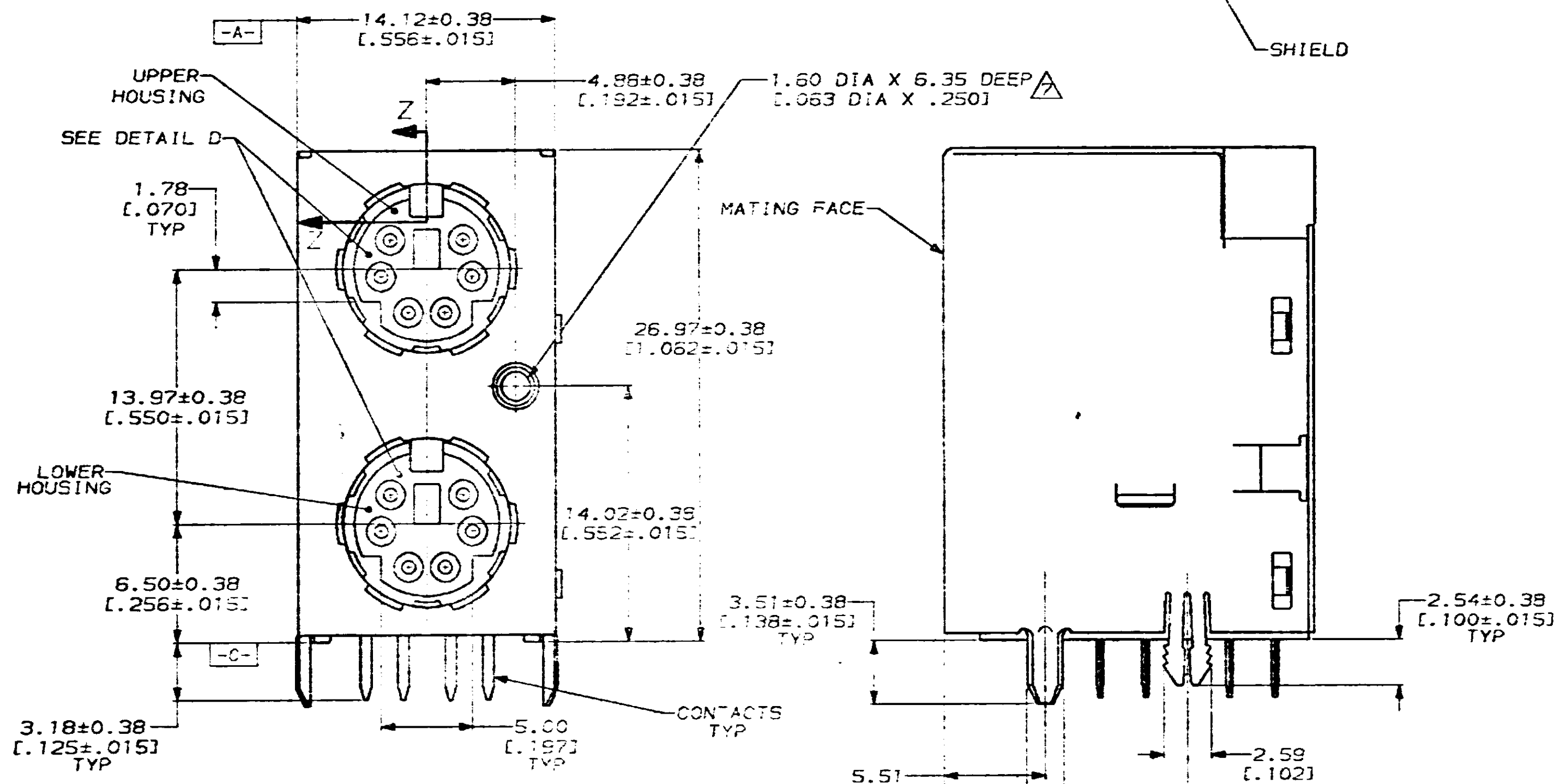


REV. NO.		DATE	DESCRIPTION	BY	APP'D
BD	26	10-29-92	0 RLSE PER NPR 4401 WAS 92-2906-2		



- ▲ PHOSPHOR BRONZE.
- ▲ POLYESTER, UL 94V-0 RATED, BLACK.
- ▲ 0.76µm [0.000030] MIN GOLD FOR A LENGTH OF 1.52 [0.060] MIN ON INSIDE FROM MATING END, 3.05µm [0.00120] MIN TIN-LEAD FOR A LENGTH OF 3.56 [0.140] MIN FROM OPPOSITE END, BOTH OVER 1.27µm [0.000050] MIN NICKEL.
- ▲ 3.54µm [0.000100] MIN TIN.
- ▲ CAVITY NUMBERS CORRESPONDS TO LOWER HOUSING.
- ▲ CAVITY NUMBERS CORRESPONDS TO UPPER HOUSING.
- ▲ ACCEPTS A #2 X 6.35 [0.250] SELF-TAPPING SCREW.



THIS DRAWING IS A CONTROLLED DOCUMENT FOR AMP INCORPORATED. IF IS SUBJECT TO CHANGE AND THE CONTROLLING ENGINEERING ORGANIZATION SHOULD BE CONTACTED FOR THE LATEST REVISION.

DO NOT SCALE PRINT. UNLESS SPECIFIED DIMENSIONS IN mm (INCHES) TO BE ROUNDED UP TO THE NEXT WHOLE NUMBER. DIMENSIONS ON THIS DRAWING ARE IN MILLIMETERS UNLESS OTHERWISE SPECIFIED. ANGLES = 0°30'		DR 10-28-92 M MOLL	AMP Incorporated Harrisburg, PA 17105-3608	786580-1 PART NO.	
MATERIAL: SHIELD & CONTACTS: ▲ HOUSING: ▲		CHK 11-9-92 R STONE		NAME: RECEPTACLE ASSEMBLY, 6 POSN OVER 6 POSN, RIGHT ANGLE, STACKABLE, MINIATURE CIRCULAR DIN	SIZE: D
FINISH: CONTACTS: ▲ SHIELD: ▲		APPRO 11-12-92 R STONE	APPRO 12-8-92 C HANNAKER	APPLICATION SPEC: -	DRAWING NO: C-786580
		WEIGHT: -	PRODUCT SPEC: 108-1225	SCALE: 5:1	SHEET: 1 OF 1

CUSTOMER DRAWING