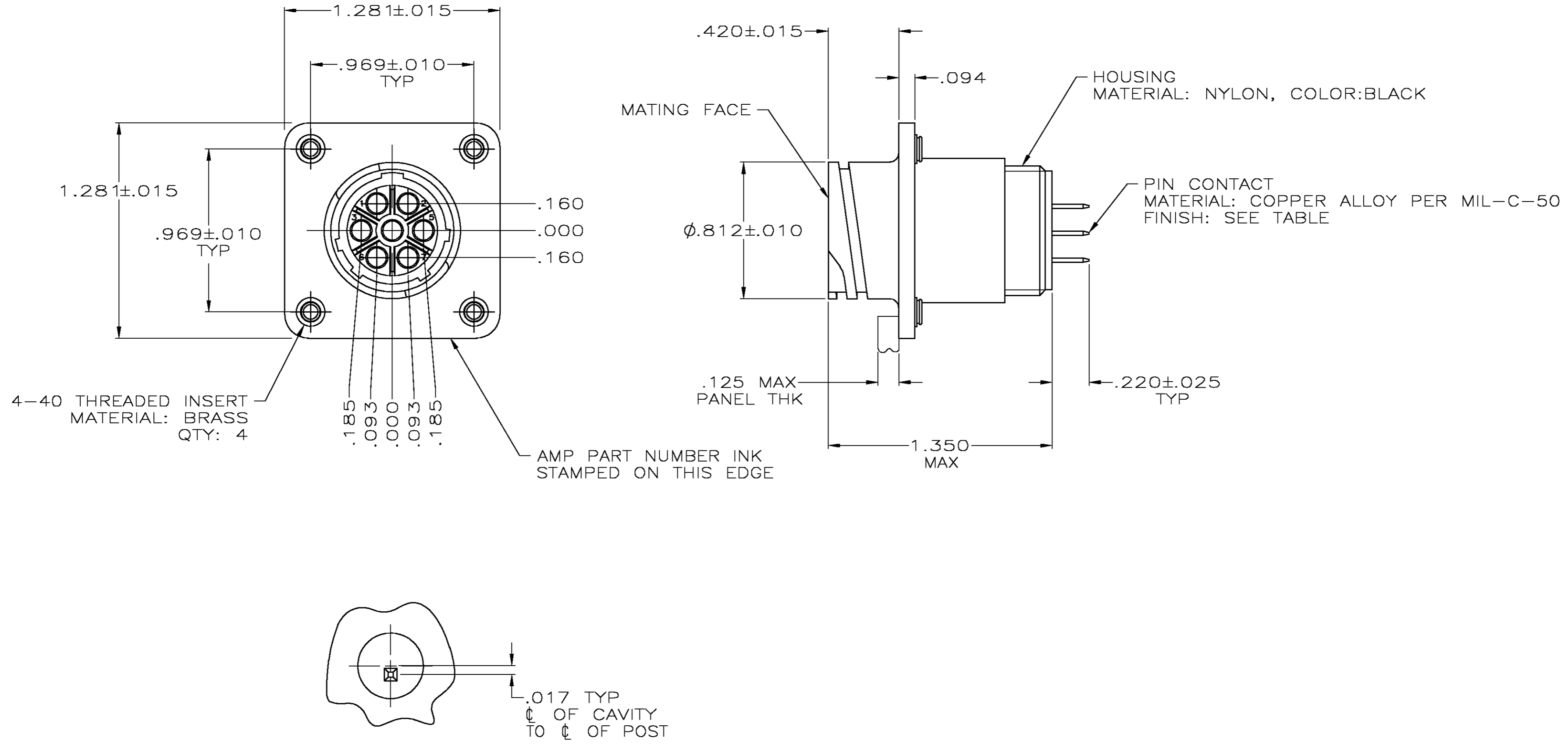


THIS DRAWING IS UNPUBLISHED. RELEASED FOR PUBLICATION  
 © COPYRIGHT BY TYCO ELECTRONICS CORPORATION. ALL RIGHTS RESERVED.

LOC	DIST	REVISIONS			
P	LTR	DESCRIPTION	DATE	DWN	APVD
FT	0	A	REVISED PER 0G3B-0100-05	5/4/05	SS HW



POST ARRANGEMENT ON REAR FACE  
SCALE 6:1

NOTES:

- CONTACT BODY: GOLD PER MIL-GL-45204 OVER NICKEL PER QQ-N-290.  
CONTACT POST: TIN-LEAD PER MIL-T-10727 OVER COPPER PER MIL-G-14550A.
- CONTACT BODY: GOLD PER MIL-GL-45204 OVER NICKEL PER QQ-N-290.  
CONTACT POST: TIN PER MIL-T-10727 OVER COPPER PER MIL-G-14550A.

2	1-796433-1
1	796433-1
CONTACT FINISH	PART NUMBER

THIS DRAWING IS A CONTROLLED DOCUMENT.		DWN S.WELDON 23FEB00	Tyco Electronics Corporation	
DIMENSIONS: INCHES		CHK M.CHACKO 24FEB00	Harrisburg, Pa 17105-3608	
TOLERANCES UNLESS OTHERWISE SPECIFIED:		APVD M.CHACKO 24FEB00	NAME	
0 PLC ± -	1 PLC ± -	PRODUCT SPEC	RECEPTACLE ASSY, POSTED, STD SEX, SERIES 1, SIZE 13-7, CPC	
2 PLC ± 0.13 [.005]	3 PLC ± -	APPLICATION SPEC	SIZE A2	CAGE CODE 00779
4 PLC ± -	ANGLES ± -	WEIGHT -	DRAWING NO C=796433	RESTRICTED TO -
MATERIAL SEE CALLOUTS	FINISH -	CUSTOMER DRAWING	SCALE 2:1	SHEET 1 OF 1

796433