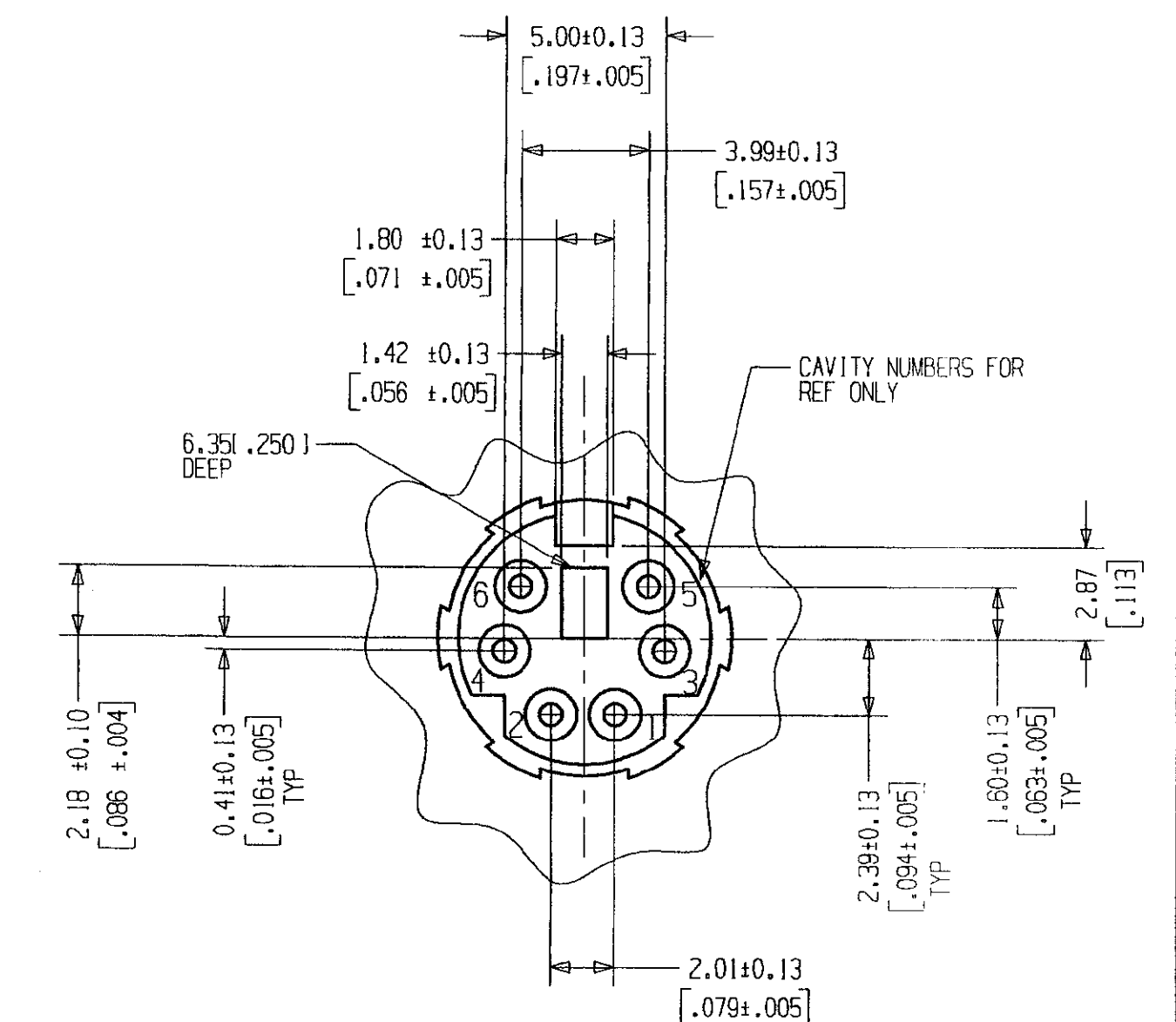


- NOTES:
- 1 RECEPTACLE CONTACT - COPPER ALLOY
  - 2 HOUSING: POLYMER, UL 94V-0 RATED, BLACK
  - 3 CONTACT PLATING: 0.75µm (.000030) MIN GOLD FOR A LENGTH OF 1.52 (.060) ON INSIDE FROM MATING END, 3.05µm (.000120) MIN TIN-LEAD FOR A LENGTH OF 3.56 (.140) FROM OPPOSITE END, BOTH OVER 1.27µm (.000050) MIN NICKEL
  - 4 SHIELD PLATING: 2.54µm (.000100) MIN TIN
  - 5 PRODUCT SPEC: 108-51010 APPLICATION SPEC: 114-51004
  - 6 DATECODE PRINTING TO BE AT APPROX. THIS LOCATION



Copyright © 1996		Copyright © 1996		AMP MANUFACTURING SINGAPORE PTE. LTD. ALL RIGHTS RESERVED.		<b>AMP</b>		AMP MANUFACTURING SINGAPORE PTE. LTD.	
E	REVISED FPOO-03B3-98	LWY	TKN	300708	(WIRE RANGE)	(INSULATION DIA.)	(NAME)	RECEPTACLE ASSEMBLY, 6 POSN OVER 6 POSN, RIGHT ANGLE, STACKABLE, MINIATURE CIRCULAR DIN	
D	REVISED FPOO-0013-98	LWY	TKN	47898	mm <sup>2</sup> (AWS)	mm			
C	REVISED FPOO-0115-97	NWL	CKT	150497	(MATERIAL)	(FINISH)			
B	REVISED FPOO-0277-96	LWY	CKT	110238					
A	REVISED FPOO-0208-96	NWL	CKT	115298					
O	NPR DY/NP/0219	LWY	CKT	287836	DR. WYLER	DATE	DE. A.SOH	(GENERAL TOLERANCE)	SIZE
LTR	(REVISION RECORD)	DR	CHK	DATE	CHK. KT CHAN	DATE	APP. SF LEONG	0 < ε ≤ 10 : +0.2 10 < ε ≤ 30 : +0.25 30 < ε ≤ 100 : +0.3 ANGLES : ±.3°	AZ DY
								(SCALE)	REV.
								2:1	SHEET
									1 OF 1
								84401	