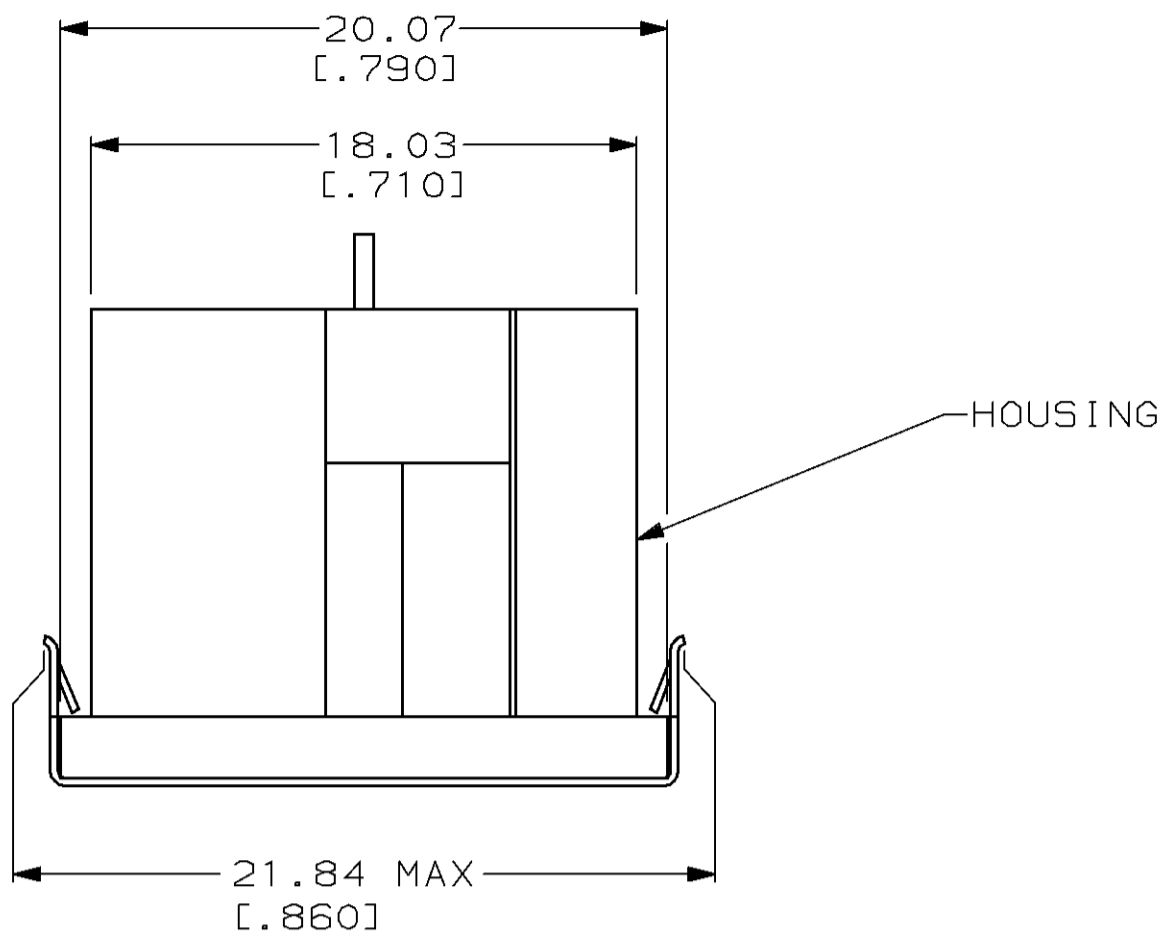
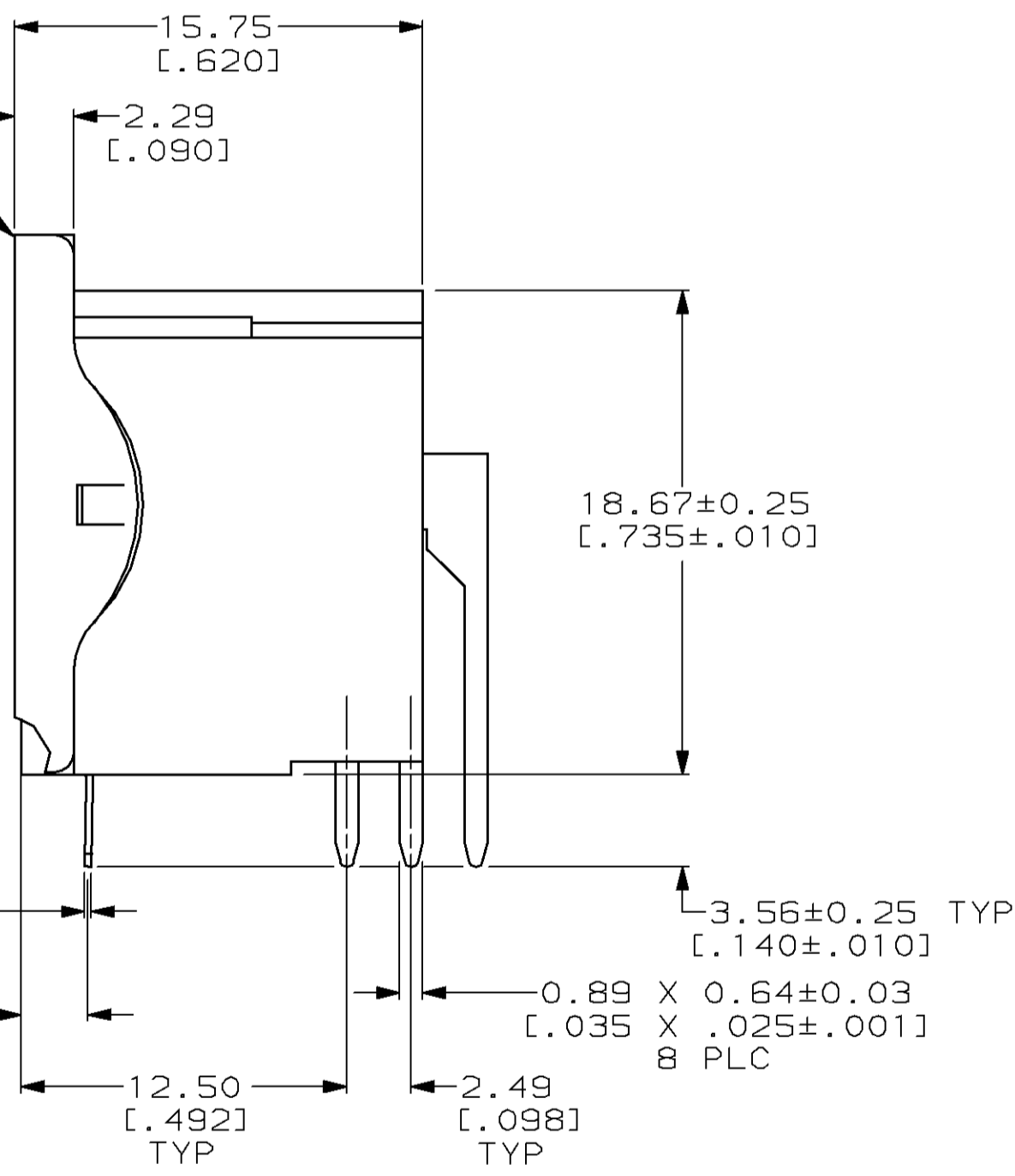
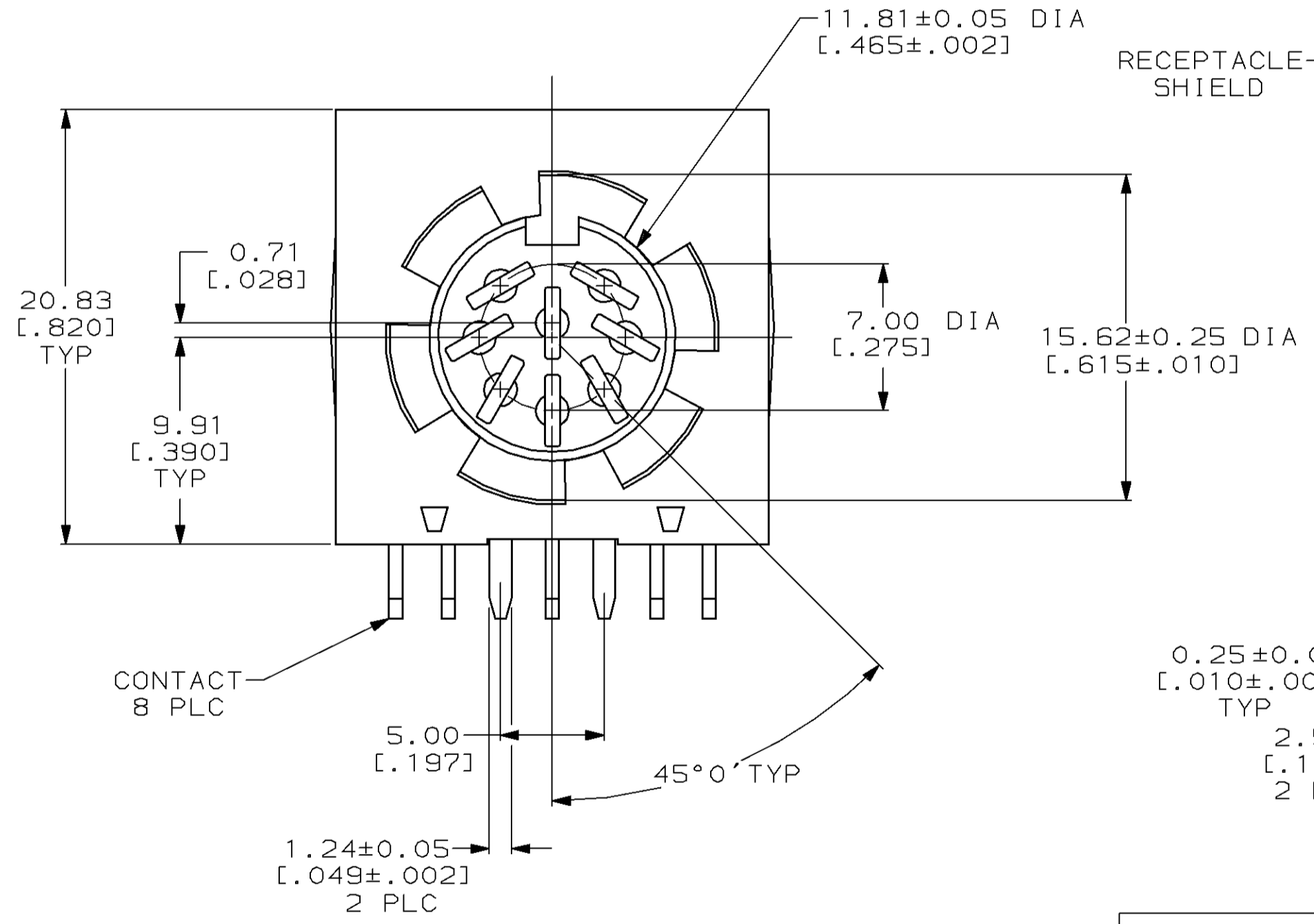


THIS DRAWING IS UNPUBLISHED. RELEASED FOR PUBLICATION, 19 .
 © COPYRIGHT 19 BY AMP INCORPORATED. ALL INTERNATIONAL RIGHTS RESERVED.

LOC	DIST	P	F	ZONE	LTR	DESCRIPTION	DATE	APPD
BD	20				E	REDRAWN	8/14/91	-
					F	REV PER EC0020-1394-93	12/20/93	SK



- 1 NYLON, UL 94V-0 RATED, BLACK.
- 2 2.54µm [.000100] MIN TIN-LEAD OVER 1.27µm [.000050] MIN NICKEL.
- 3 TIN PLATING PER MIL-T-10727, NICKEL PLATING PER QQ-N-290.
- 4. MATES WITH 8 POSITION SHIELDED DIN PLUG 211506.
- 5 BRASS PER ASTM B36.



212047
 212047-1
 PART NUMBER

DO NOT SCALE PRINT. UNLESS SPECIFIED DIMENSIONS IN mm [INCHES] TOLERANCES ON: 2 PLC DEC ± 0.13 (.005) 3 PLC DEC ± . ANGLES ± 0°30'	DR 8/14/91 A. STAUB BG	AMP Incorporated Harrisburg, PA 17105-3608
	CHK 11/22/91 J. MCCLINTON	
MATERIAL HOUSING: 1 CONTACTS: 5 RECEPTACLE SHIELD: 5	APPD 11/22/91 D. ROCKER	NAME RECEPTACLE ASSY, RIGHT ANGLE, SHIELDED, 8 POSITION, CIRCULAR DIN
FINISH FINISH: 3 CONTACTS: 2 RECEPTACLE SHIELD: 2	APPD 11/22/91 C. ROHDE	PRODUCT SPEC 108-10047
	APPLICATION SPEC 114-40025	SIZE C 00779
	WEIGHT -	DRAWING NO 212047
		SCALE 4:1
		SHEET 1 OF 1