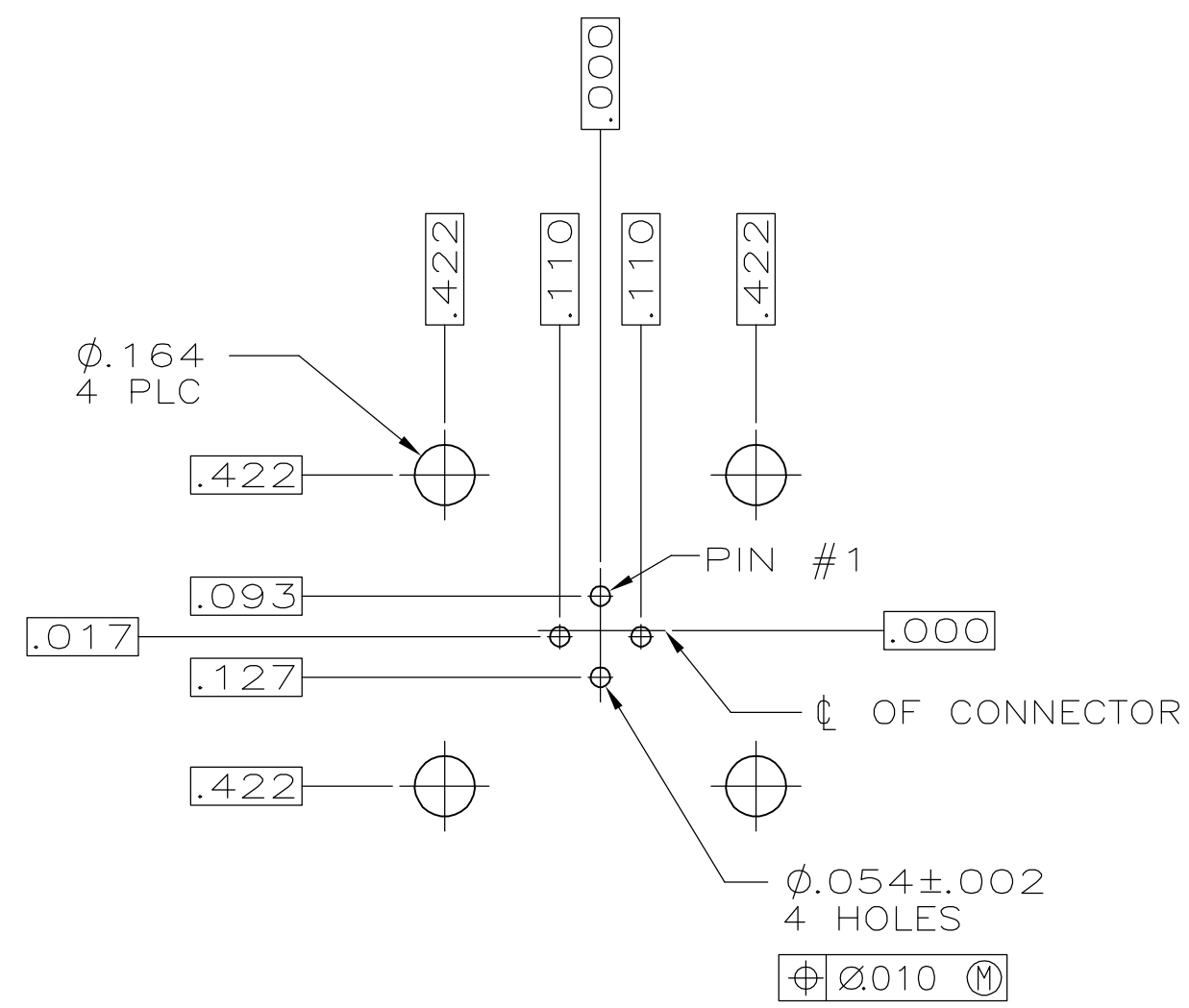
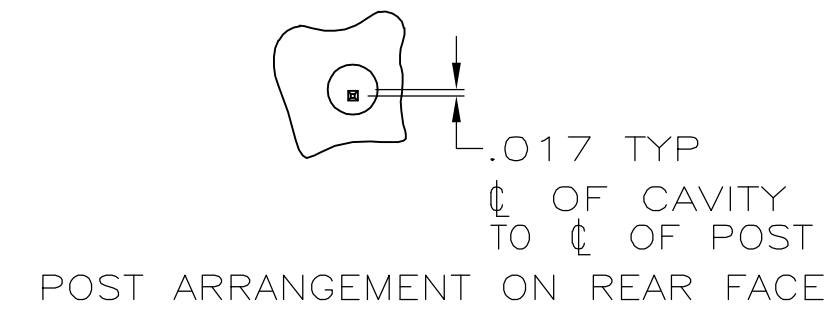
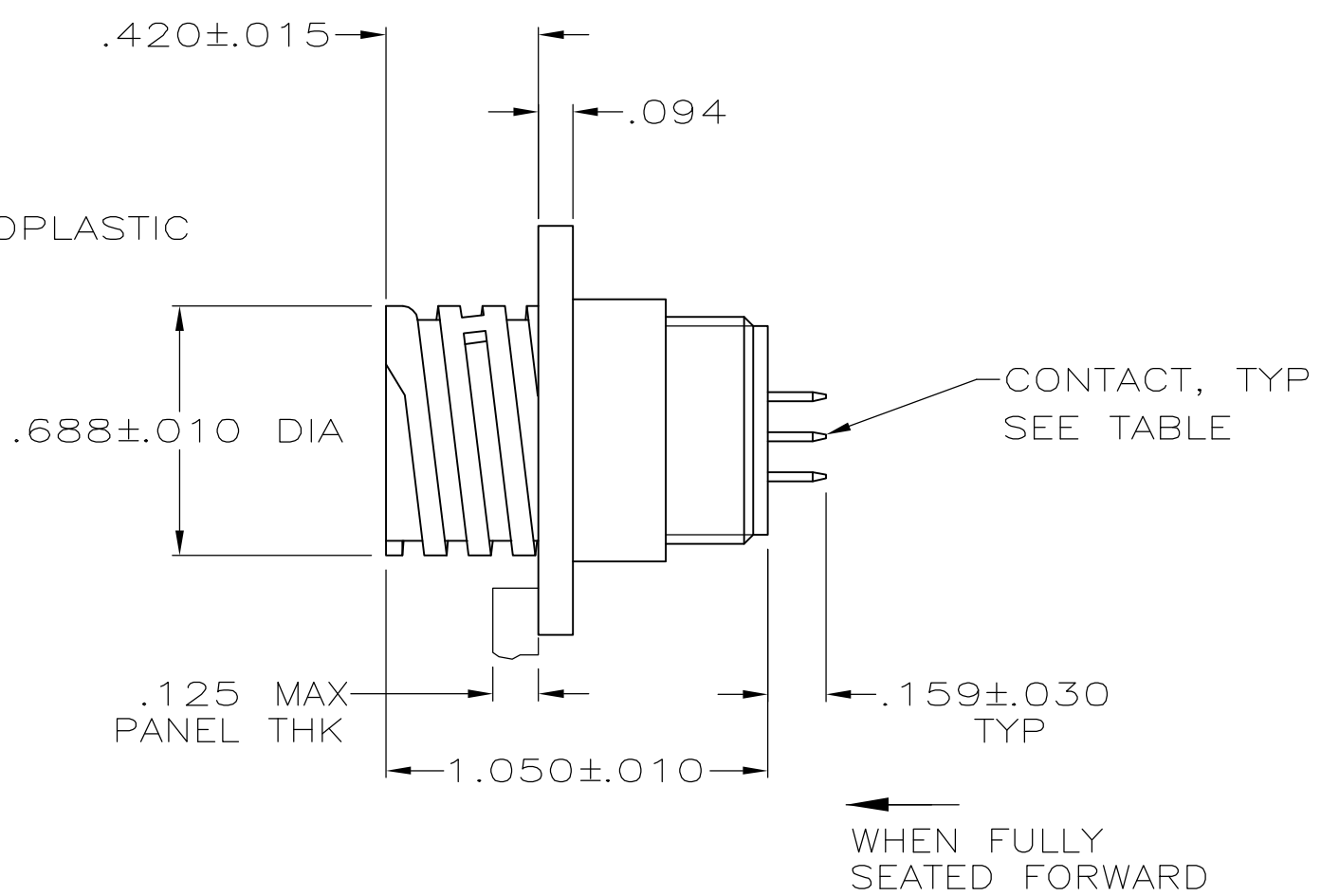
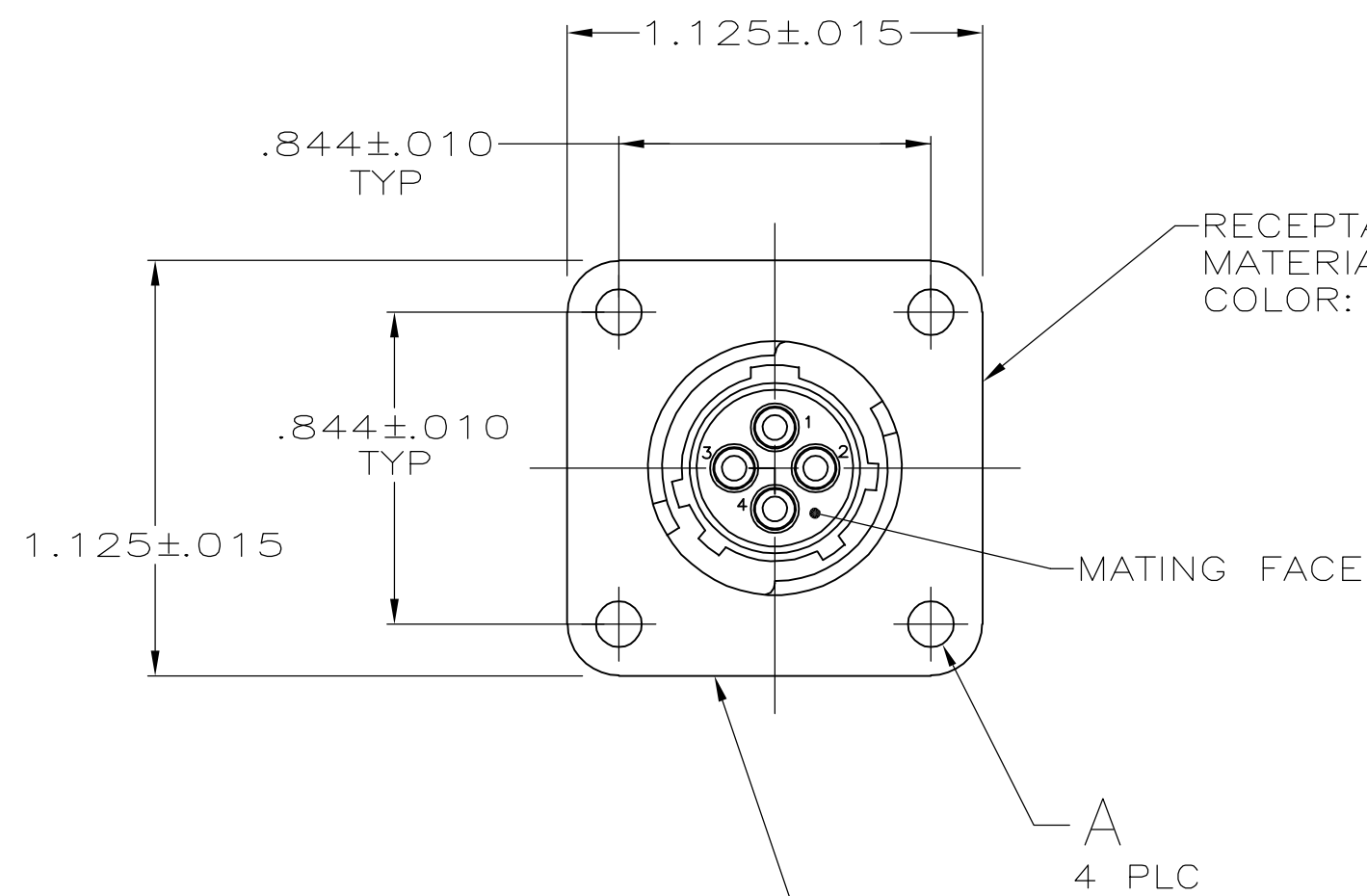


THIS DRAWING IS UNPUBLISHED. RELEASED FOR PUBLICATION  
 © COPYRIGHT BY TYCO ELECTRONICS CORPORATION. ALL RIGHTS RESERVED.

LOC		DIST		REVISIONS			
P	LTR	DESCRIPTION	DATE	DWN	APVD		
FT	0	J	REVISED PER ECO-06-11649	5/18/06	SS	SH	



RECOMMENDED P.C. BOARD LAYOUT

- ① CONTACT BODY: GOLD PLATED PER MIL-G-45204 OVER NICKEL PER QQ-N-290. CONTACT POST: TIN-LEAD PER MIL-T-10727 OVER COPPER PER MIL-C-14550A.
- ② CONTACT BODY: TIN-LEAD PLATED .000100 MIN. CONTACT POST: TIN-LEAD PLATED .000100 MIN.
- ③ CONTACT BODY: GOLD PLATED OVER NICKEL PER QQ-N-290. CONTACT POST: TIN OVER COPPER.
- ④ PRELIMINARY PART NUMBER.

FINISH	PERIPHERAL SEAL	A	CONTACTS LOADED AT POSITION	PART NUMBER
③	NO	.125 DIA	1,2,3	208283-7
③	NO	4-40UNC, INSERT, BRASS	1,3,4	208283-6
②	NO	.125 DIA	ALL	208283-5
①	NO	.125 DIA	ALL	208283-4
①	YES	.125 DIA	ALL	208283-3
①	NO	4-40UNC, INSERT, BRASS	1,3,4	208283-2
①	NO	.125 DIA	ALL	208283-1

THIS DRAWING IS A CONTROLLED DOCUMENT.

DWN	R.LEE BG	6-22-91
CHK	W.G.LENKER	4-14-92
APVD	-	-
PRODUCT SPEC	108-10024	
APPLICATION SPEC	-	
WEIGHT	-	-
CUSTOMER DRAWING	-	

**tyco Electronics** Tyco Electronics Corporation  
Harrisburg, PA 17105-3608

RECEPTACLE ASSEMBLY, POSTED, REV SEX, SERIES 1, 11-4, CPC

SIZE	A2	CAGE CODE	00779	DRAWING NO	C=208283	RESTRICTED TO	-
SCALE	1:1	SHEET	1 of 1	REV	J		

208283