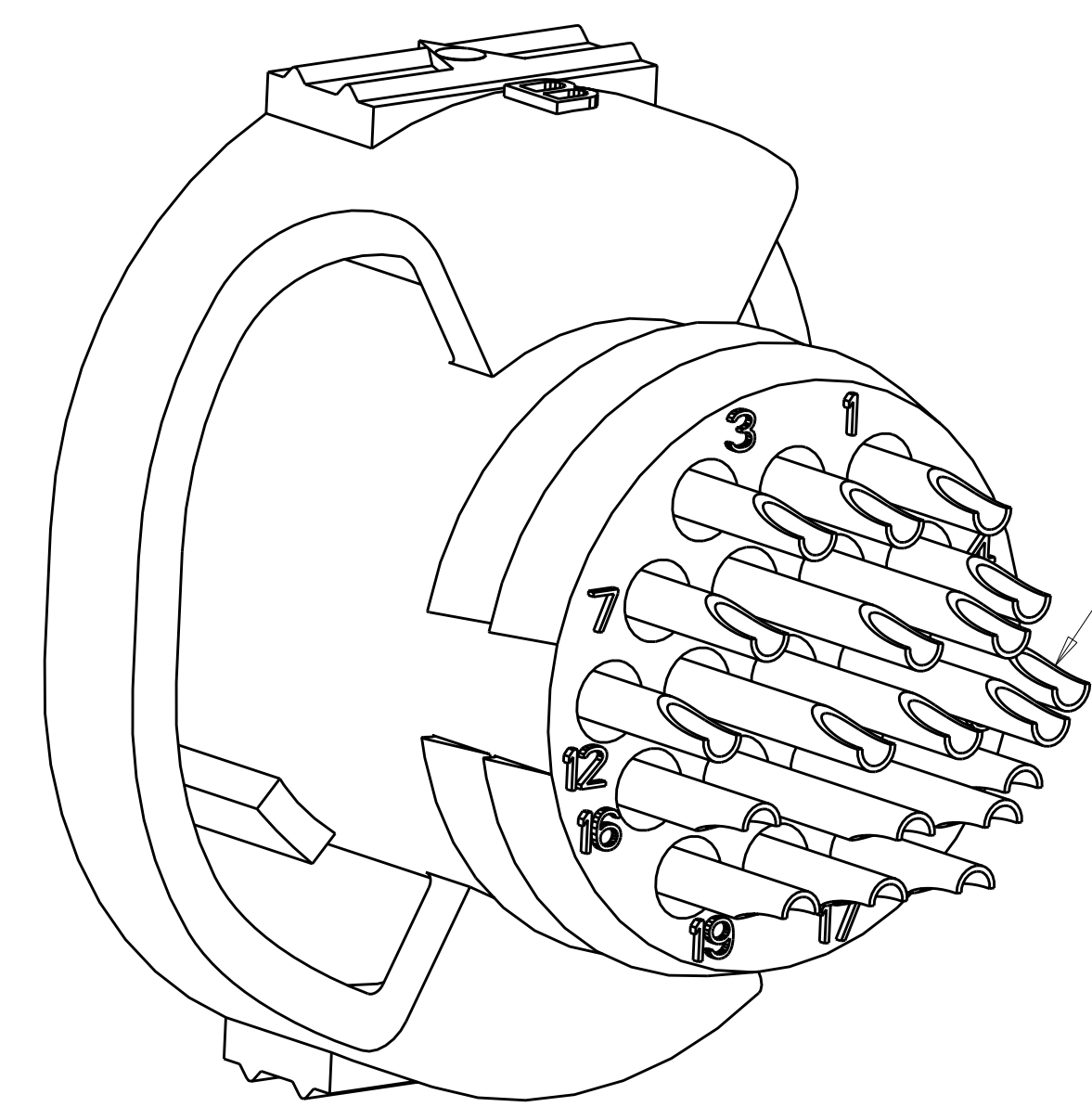
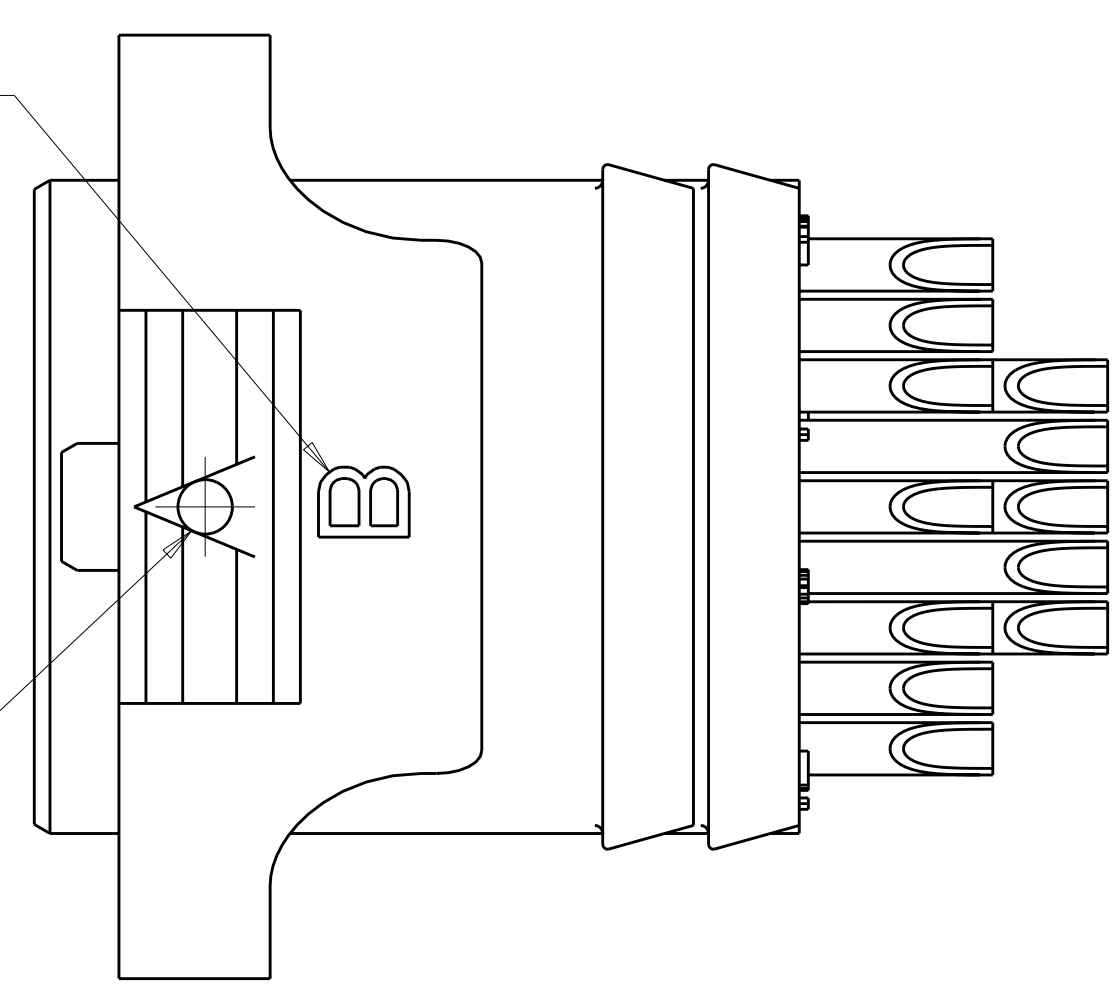


LOC	DIST	REVISIONS					
FT	0	P	LT#	DESCRIPTION	DATE	DWN	APVD
		C		REVISED ECO-06-003488	27FEB2006	SW	SY
		C1		REVISED ECO-06-029818	02JAN2007	SW	DC

LATCH IDENTIFIER, B-BREAKAWAY LATCH
 BREAKAWAY VERSION ONLY,
 MAY BE ORIENTED IN ANY DIRECTION

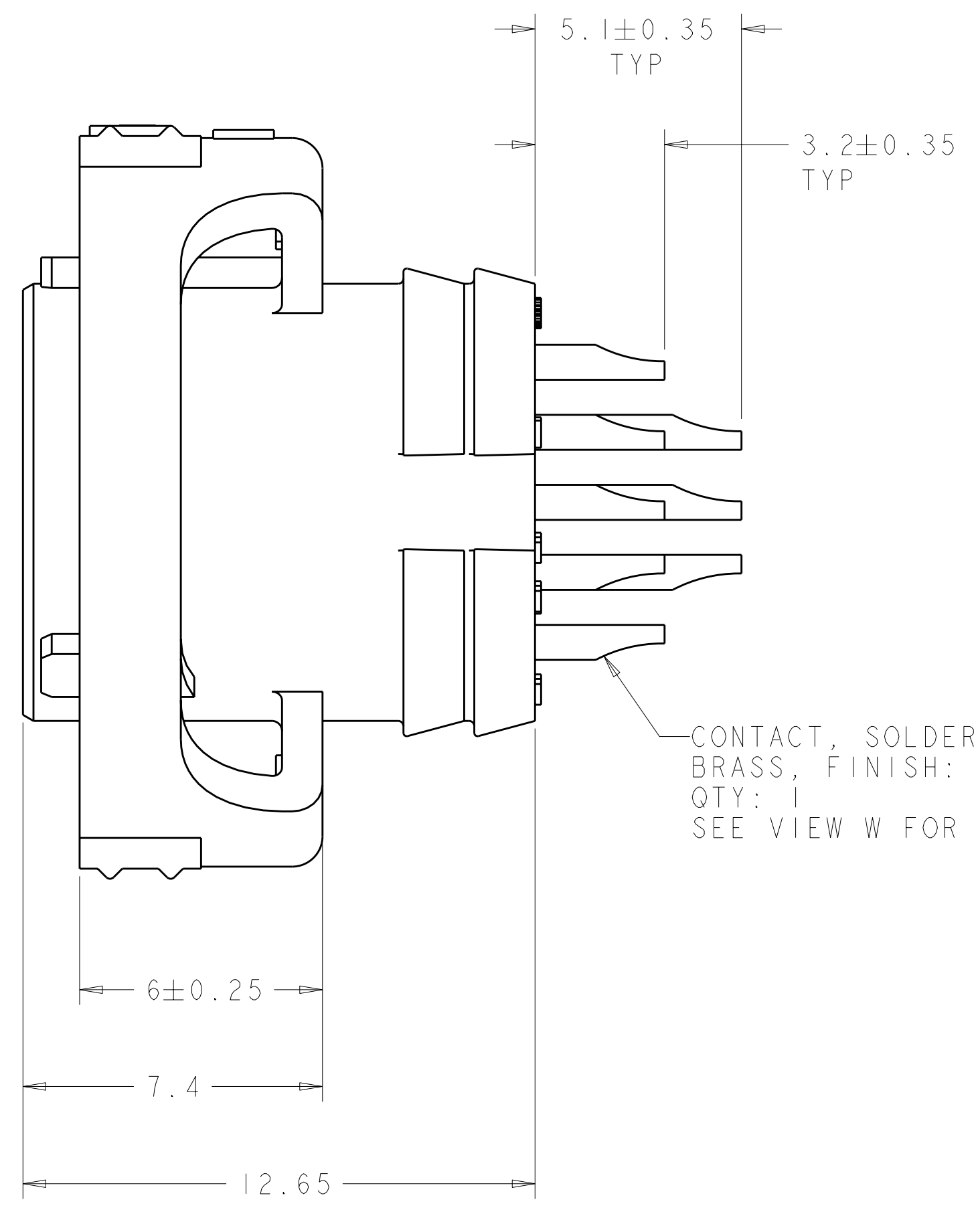
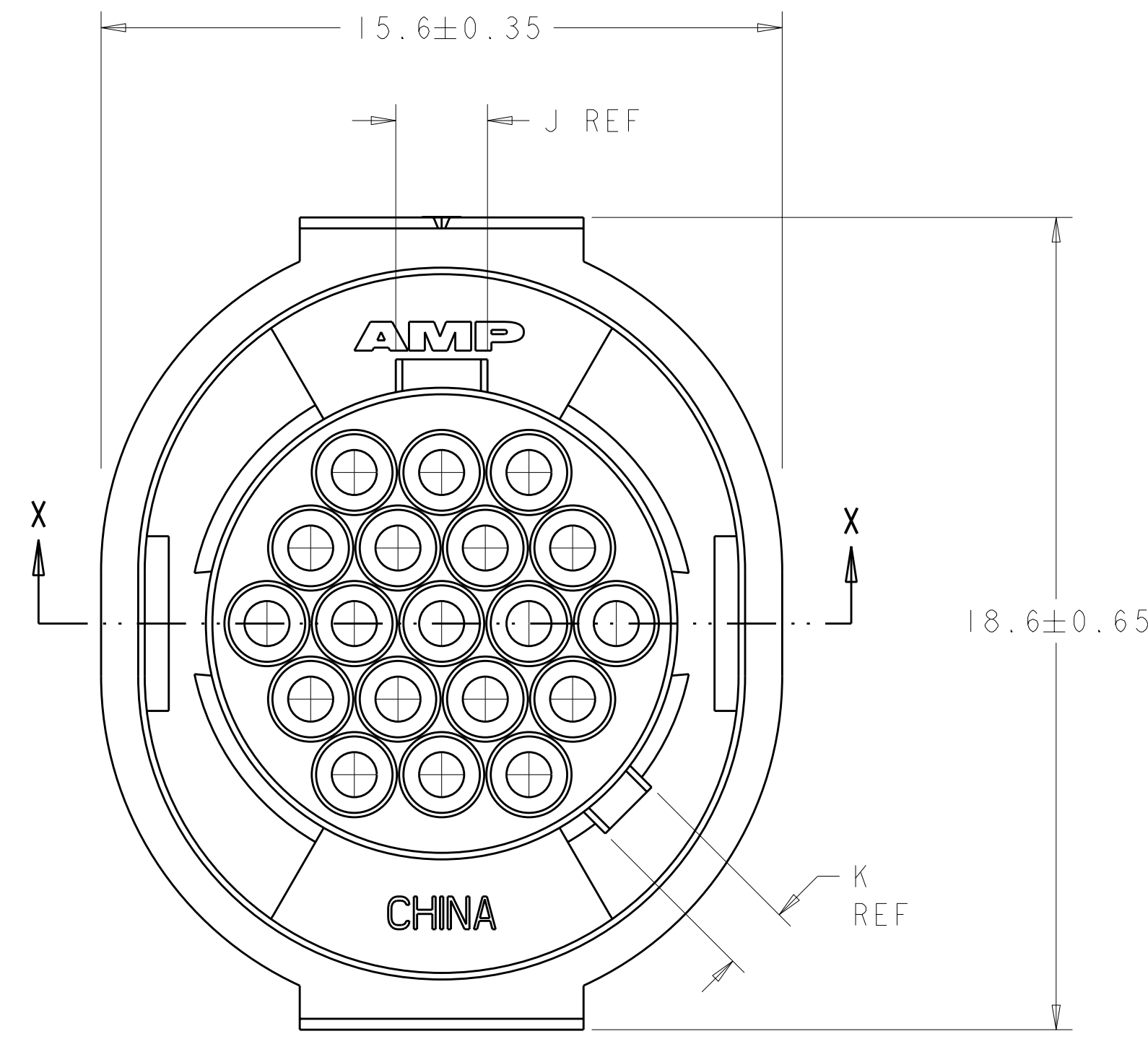
ALIGNMENT INDICATOR



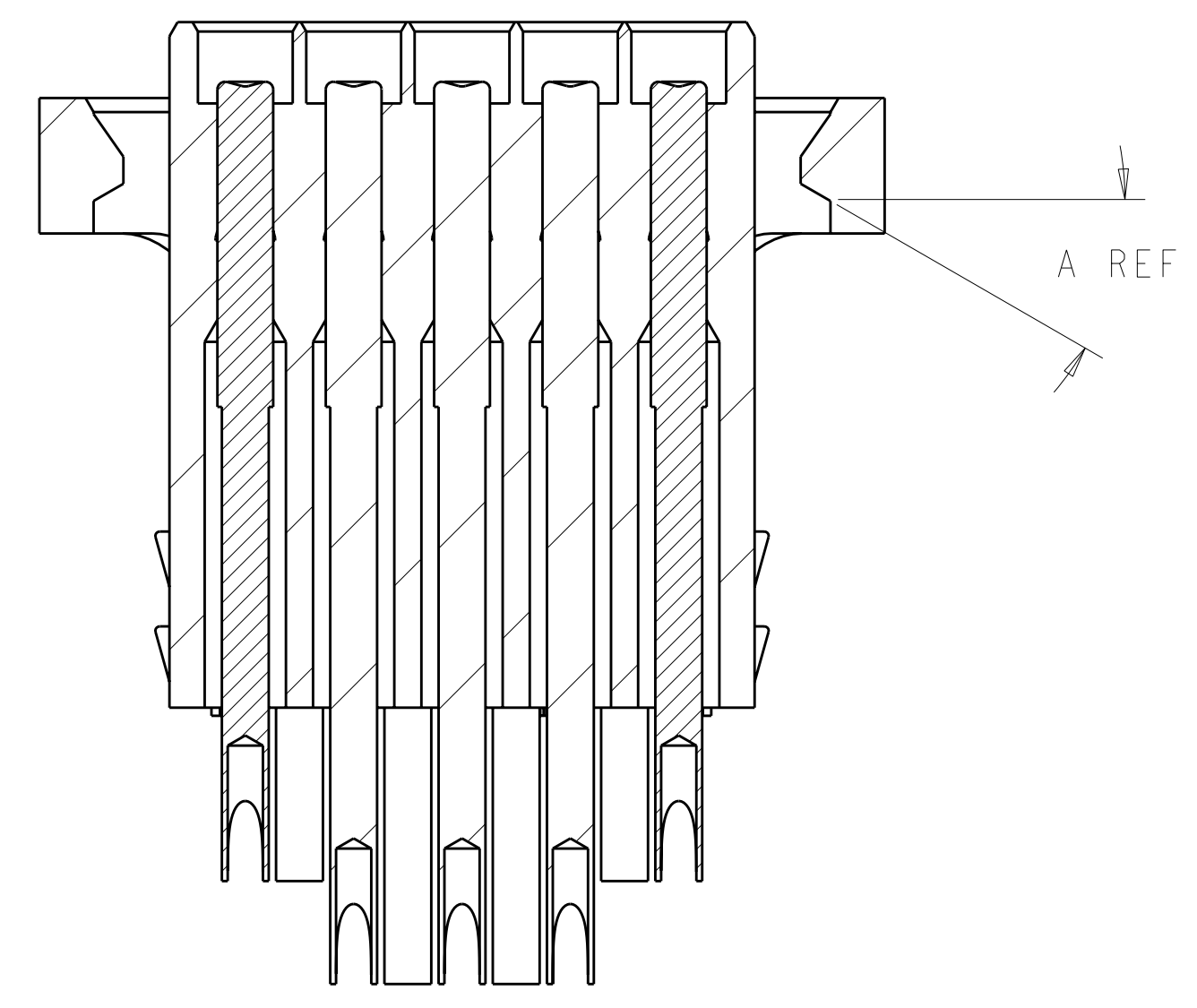
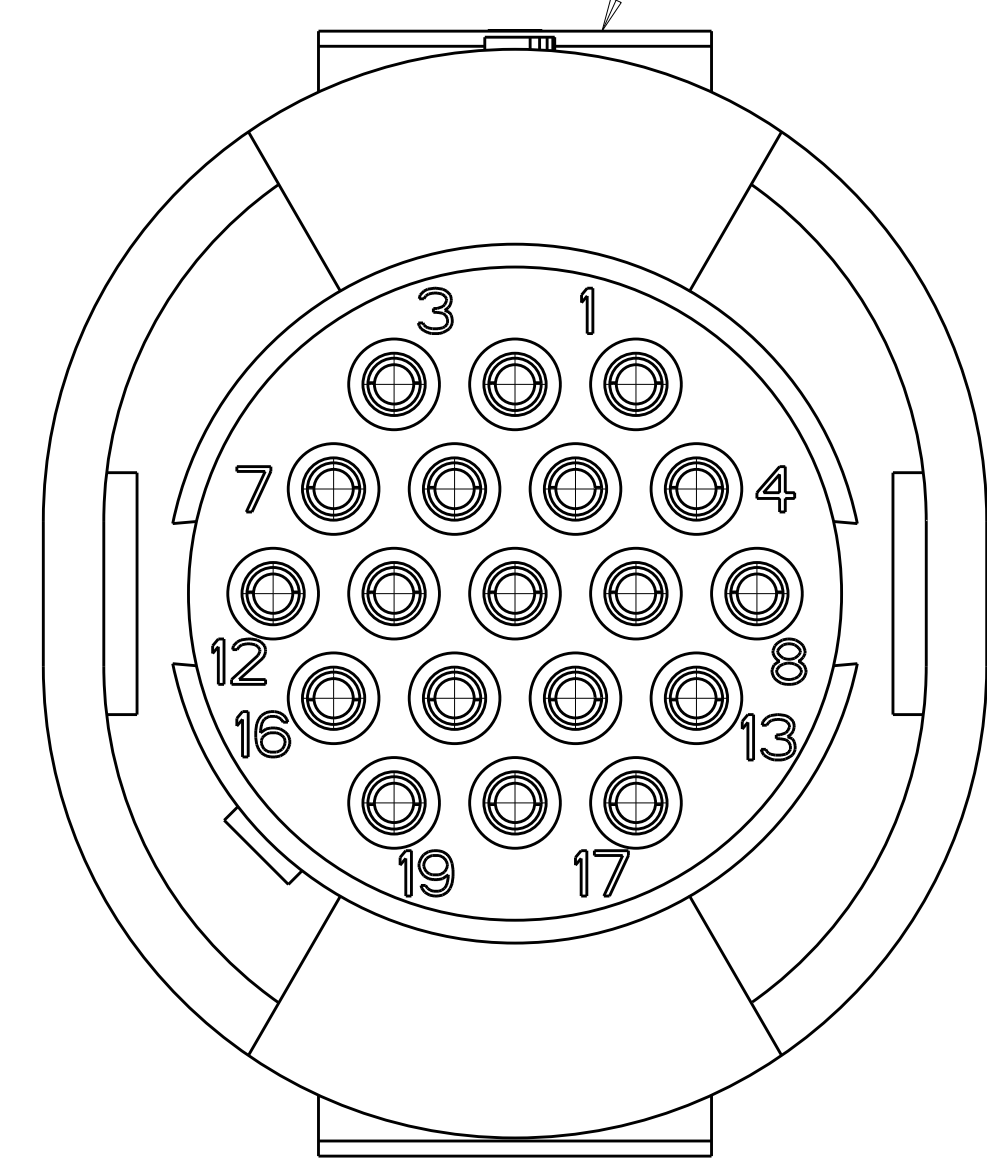
SOLDER TERMINATION AREA OF ALL
 CONTACTS IN CIRCUITS #8 THRU #12
 MAY BE ORIENTED UP OR DOWN

VIEW W

HOUSING,
 THERMOPLASTIC, COLOR: SEE TABLE
 QTY: 1



CONTACT, SOLDER CUP
 BRASS, FINISH: SEE TABLE
 QTY: 1
 SEE VIEW W FOR CONTACT ORIENTATION



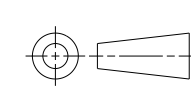
SECTION X-X

<small>THIS DRAWING IS UNPUBLISHED. RELEASED FOR PUBLICATION. THIS DRAWING IS UNPUBLISHED. RELEASED FOR PUBLICATION. THIS DRAWING IS UNPUBLISHED. RELEASED FOR PUBLICATION.</small>		DWN SHANE WIEST 04SEP2001 CHK G DOUTY 04SEP2001 APVD H WAKEEM 27JUL2004	tyco Tyco Electronics Harrisburg, PA 17105-3608 Electronics
DIMENSIONS: mm 	TOLERANCES UNLESS OTHERWISE SPECIFIED: 9 PLC ± 1 PLC ± 5 PLC ±0.13 4 PLC ± ANGLES ± FINISH SEE CALLOUT	NAME ASSEMBLY, PLUG, SOLDER CUP, 19 POSITION, MICRO CPC PRODUCT SPEC APPLICATION SPEC WEIGHT CUSTOMER DRAWING	SIZE CAGE CODE DRAWING NO RESTRICTED TO A100779C=1445777 SCALE 8:1 SHEET 1 OF 2 REV C1

THIS DRAWING IS UNPUBLISHED. RELEASED FOR PUBLICATION 20
 © COPYRIGHT 20 BY TYCO ELECTRONICS CORPORATION. ALL RIGHTS RESERVED.

LOC		DIST		REVISIONS			
FT	0	P	LTR	DESCRIPTION	DATE	DWN	APVD
		-		SEE SHEET 1		-	-

9	1, 3, 5, 6, 10, 14, 15, 17, 19	GOLD OVER NICKEL	A	1.5	2.1	30°	BREAKAWAY	WHITE	2-1445777-5
11	4-7, 9, 10, 11, 13-16	GOLD OVER NICKEL	A	1.5	2.1	30°	BREAKAWAY	WHITE	2-1445777-4
11	4-7, 9, 10, 11, 13-16	GOLD OVER NICKEL	A	1.5	2.1	0°	POSITIVE	BLACK	2-1445777-3
10	4-7, 9, 11, 13-16	GOLD OVER NICKEL	A	1.5	2.1	30°	BREAKAWAY	WHITE	2-1445777-2
10	4-7, 9, 11, 13-16	GOLD OVER NICKEL	A	1.5	2.1	0°	POSITIVE	BLACK	2-1445777-1
8	1, 3, 5, 6, 14, 15, 17, 19	GOLD OVER NICKEL	A	1.5	2.1	30°	BREAKAWAY	WHITE	2-1445777-0
8	1, 3, 5, 6, 14, 15, 17, 19	GOLD OVER NICKEL	A	1.5	2.1	0°	POSITIVE	BLACK	1-1445777-9
19	ALL	GOLD OVER NICKEL	B	2.1	1.5	0°	POSITIVE	BLACK	1-1445777-8
9	1-3, 8, 10, 12, 17-19	GOLD OVER NICKEL	A	1.5	2.1	0°	POSITIVE	BLACK	1-1445777-7
12	1-4, 7, 8, 12, 13, 16-19	GOLD OVER NICKEL	A	1.5	2.1	30°	BREAKAWAY	WHITE	1-1445777-6
12	1-4, 7, 8, 12, 13, 16-19	GOLD OVER NICKEL	A	1.5	2.1	0°	POSITIVE	BLACK	1-1445777-5
13	1-4, 7, 8, 10, 12, 13, 16-19	GOLD OVER NICKEL	A	1.5	2.1	30°	BREAKAWAY	WHITE	1-1445777-4
13	1-4, 7, 8, 10, 12, 13, 16-19	GOLD OVER NICKEL	A	1.5	2.1	0°	POSITIVE	BLACK	1-1445777-3
14	1-4, 7-9, 11-13, 16-19	GOLD OVER NICKEL	A	1.5	2.1	30°	BREAKAWAY	WHITE	1-1445777-2
14	1-4, 7-9, 11-13, 16-19	GOLD OVER NICKEL	A	1.5	2.1	0°	POSITIVE	BLACK	1-1445777-1
15	1-4, 7-13, 16-19	GOLD OVER NICKEL	A	1.5	2.1	30°	BREAKAWAY	WHITE	1-1445777-0
15	1-4, 7-13, 16-19	GOLD OVER NICKEL	A	1.5	2.1	0°	POSITIVE	BLACK	1445777-9
16	1-8, 12-19	GOLD OVER NICKEL	A	1.5	2.1	30°	BREAKAWAY	WHITE	1445777-8
16	1-8, 12-19	GOLD OVER NICKEL	A	1.5	2.1	0°	POSITIVE	BLACK	1445777-7
17	1-8, 10, 12-19	GOLD OVER NICKEL	A	1.5	2.1	30°	BREAKAWAY	WHITE	1445777-6
17	1-8, 10, 12-19	GOLD OVER NICKEL	A	1.5	2.1	0°	POSITIVE	BLACK	1445777-5
18	1-9, 11-19	GOLD OVER NICKEL	A	1.5	2.1	30°	BREAKAWAY	WHITE	1445777-4
18	1-9, 11-19	GOLD OVER NICKEL	A	1.5	2.1	0°	POSITIVE	BLACK	1445777-3
19	ALL	GOLD OVER NICKEL	A	1.5	2.1	30°	BREAKAWAY	WHITE	1445777-2
19	ALL	GOLD OVER NICKEL	A	1.5	2.1	0°	POSITIVE	BLACK	1445777-1
QTY	SELECT LOADED IN CIRCUITS	FINISH	CODE	K	J	A	DESCRIPTION	HOUSING COLOR	PART NUMBER
CONTACT			KEYING CONFIGURATION			LATCH CONFIGURATION		HOUSING COLOR	PART NUMBER

<small>THIS DRAWING IS UNPUBLISHED. RELEASED FOR PUBLICATION 20 © COPYRIGHT 20 BY TYCO ELECTRONICS CORPORATION. ALL RIGHTS RESERVED.</small>		DWN SHANE WIEST 04SEP2001 CHK G DOUTY 04SEP2001 APVD H WAKEEM 27JUL2004	tyco Electronics Tyco Electronics Harrisburg, PA 17105-3608
DIMENSIONS: mm 	TOLERANCES UNLESS OTHERWISE SPECIFIED: 9 PLC ± 1 PLC ± 5 PLC ±0.13 4 PLC ± ANGLES ± FINISH SEE CALLOUT	NAME ASSEMBLY, PLUG, SOLDER CUP, 19 POSITION, MICRO CPC PRODUCT SPEC APPLICATION SPEC WEIGHT CUSTOMER DRAWING	SIZE CAGE CODE DRAWING NO RESTRICTED TO A 100779 C=1445777 SCALE 4:1 SHEET 2 OF 2 REV C