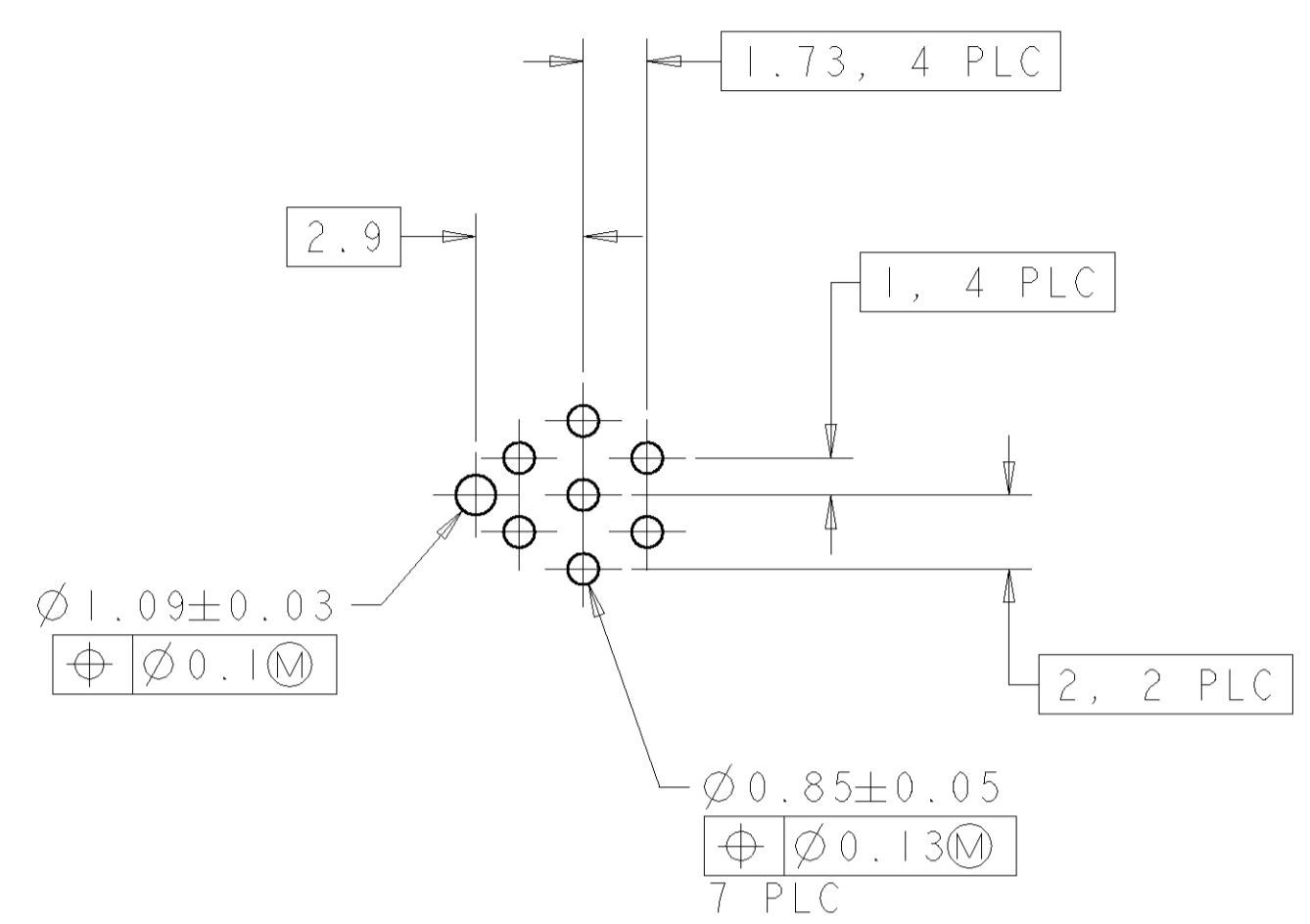
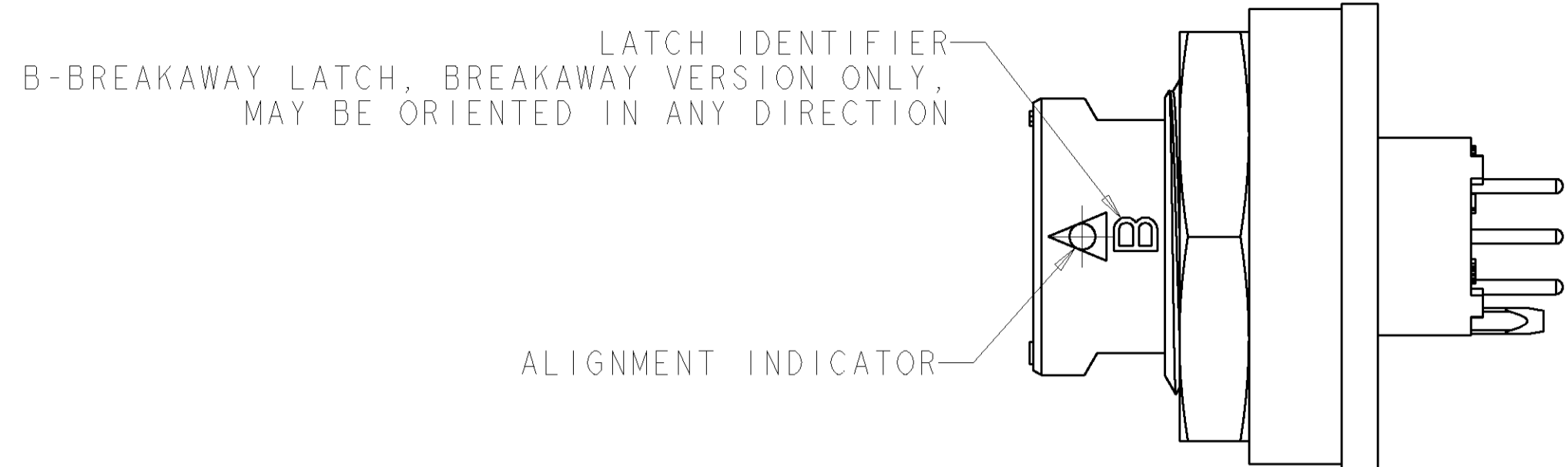
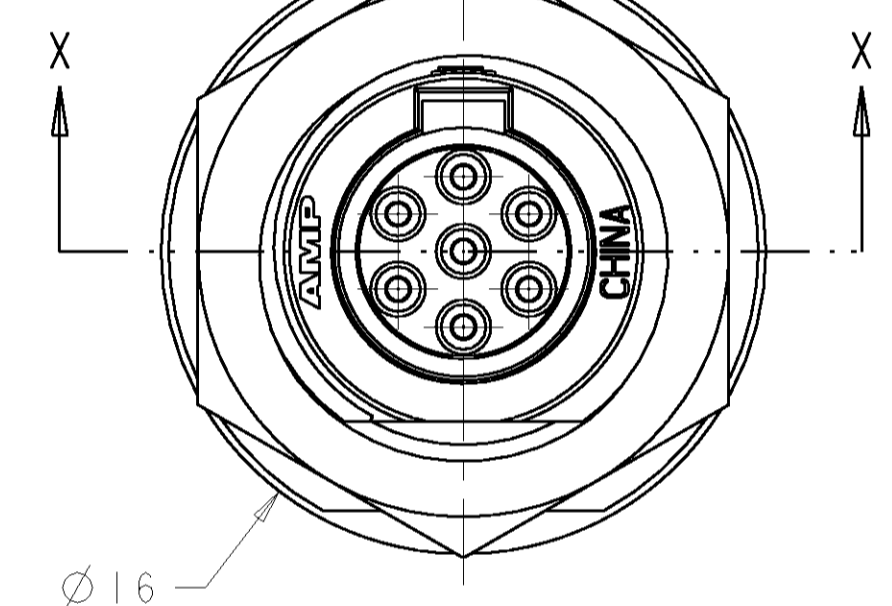
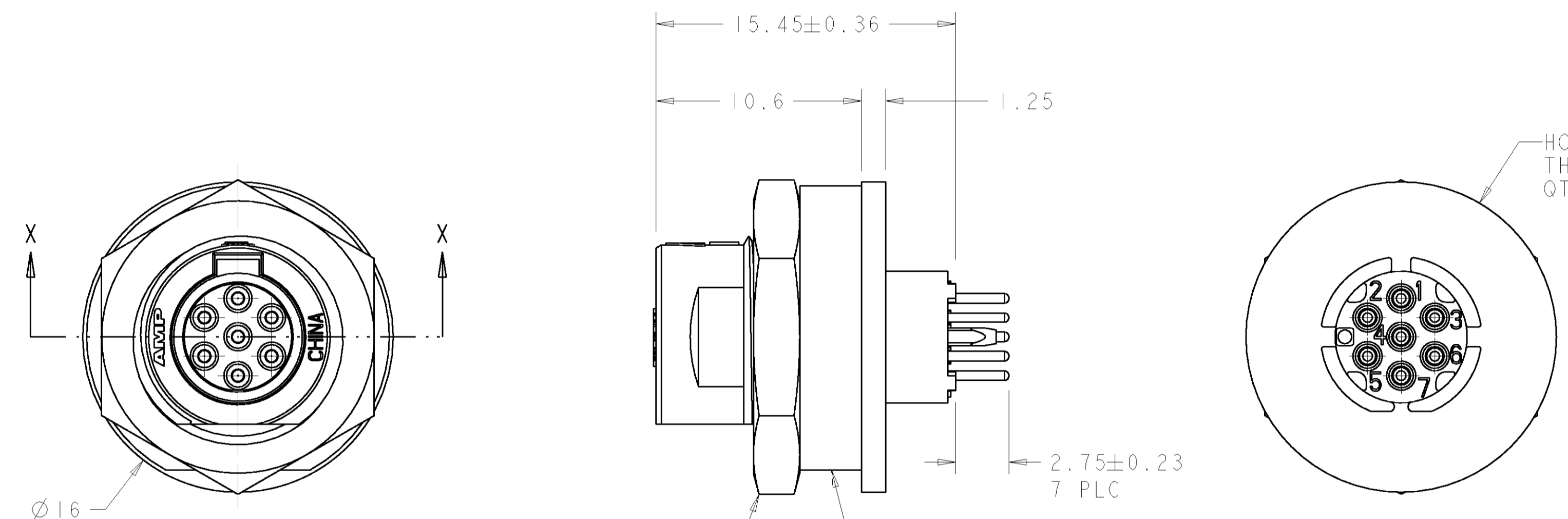


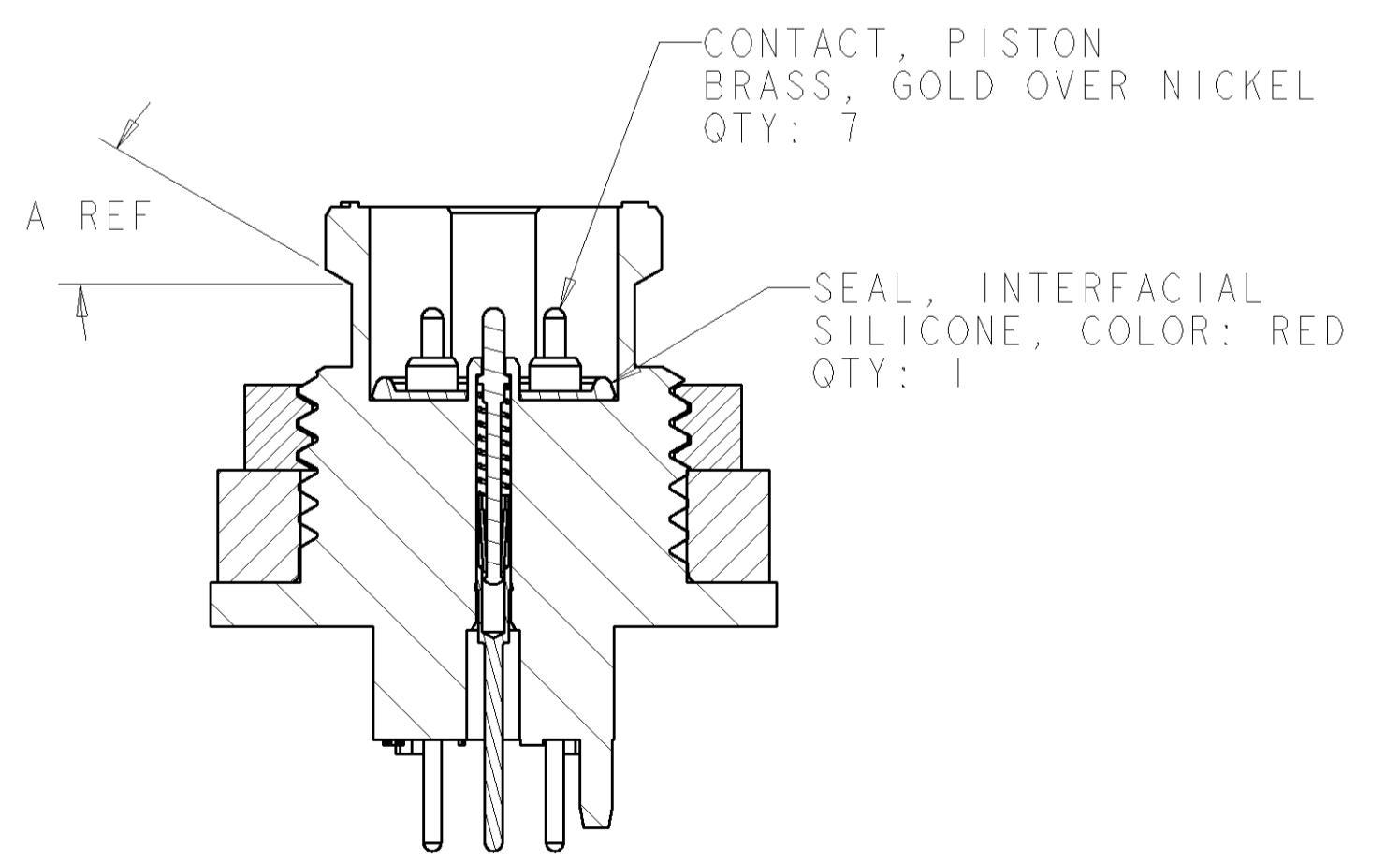
LOC	DIST	REVISIONS					
FT	0	P	LTR	DESCRIPTION	DATE	DWN	APVD
		A		RELEASED EC 0638-0570-04	28JUL2004	SW	HW
		B		REVISED EC 0638-0746-04	06OCT2004	SW	HW
		C		REVISED PER ECO-06-2703	24FEB2006	SS	DC



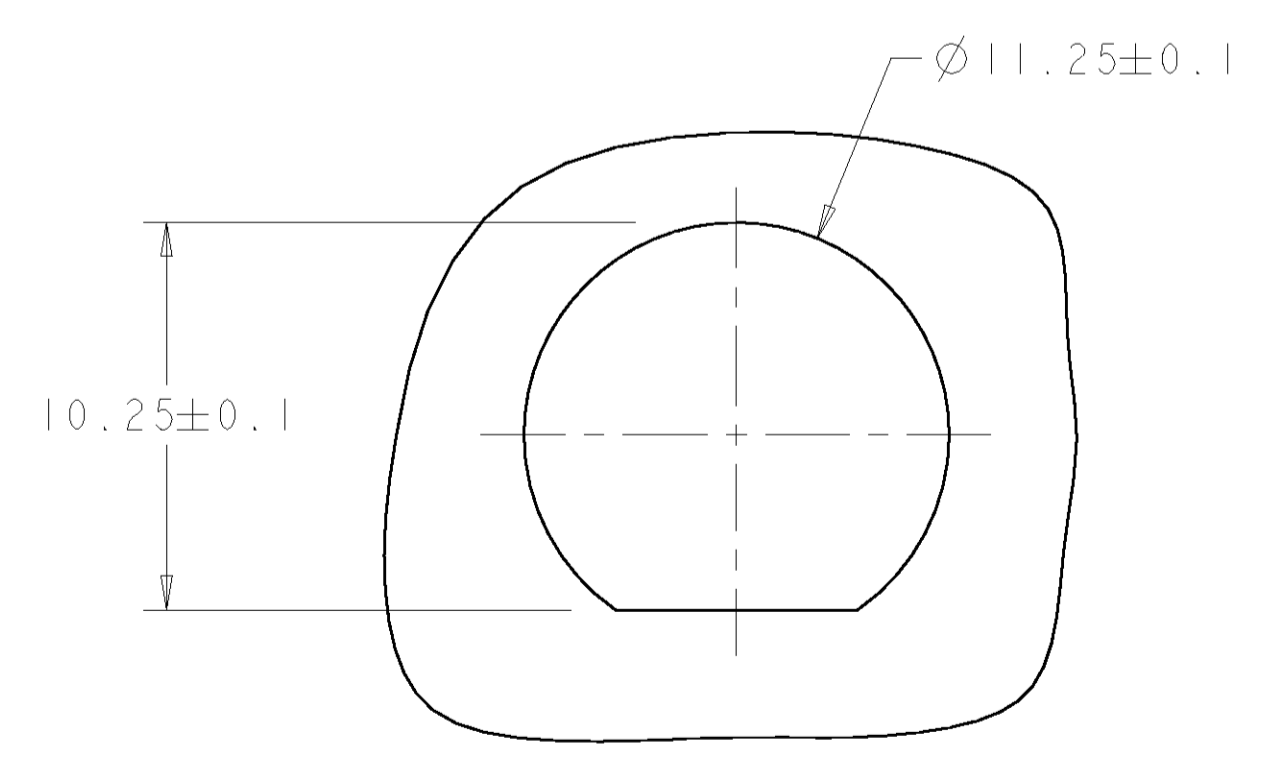
SUGGESTED PRINTED CIRCUIT BOARD LAYOUT



JAM NUT, SHOWN FOR REFERENCE ONLY TO BE ORDERED SEPARATELY, PART #1604197-1
 GASKET, FLANGE, SHOWN FOR REFERENCE ONLY TO BE ORDERED SEPARATELY, PART # 1445420-3



SECTION X-X



SUGGESTED PANEL CUT OUT 3.18 MAX PANEL THICKNESS

2	1, 7.	TIN OVER NICKEL	30°	WHITE	BREAKAWAY	3-1445719-1
2	1, 7.	TIN OVER NICKEL	0°	BLACK	POSITIVE	3-1445719-0
3	2, 3, 7.	TIN OVER NICKEL	30°	WHITE	BREAKAWAY	2-1445719-9
3	2, 3, 7.	TIN OVER NICKEL	0°	BLACK	POSITIVE	2-1445719-8
4	2, 3, 5, 6.	TIN OVER NICKEL	30°	WHITE	BREAKAWAY	2-1445719-7
4	2, 3, 5, 6.	TIN OVER NICKEL	0°	BLACK	POSITIVE	2-1445719-6
5	2, 3, 4, 5, 6.	TIN OVER NICKEL	30°	WHITE	BREAKAWAY	2-1445719-5
5	2, 3, 4, 5, 6.	TIN OVER NICKEL	0°	BLACK	POSITIVE	2-1445719-4
6	1, 2, 3, 5, 6, 7.	TIN OVER NICKEL	30°	WHITE	BREAKAWAY	2-1445719-3
6	1, 2, 3, 5, 6, 7.	TIN OVER NICKEL	0°	BLACK	POSITIVE	2-1445719-2
7	ALL	TIN OVER NICKEL	30°	WHITE	BREAKAWAY	2-1445719-1
7	ALL	TIN OVER NICKEL	0°	BLACK	POSITIVE	2-1445719-0
2	1, 7.	TIN-LEAD OVER NICKEL	30°	WHITE	BREAKAWAY	1-1445719-2
2	1, 7.	TIN-LEAD OVER NICKEL	0°	BLACK	POSITIVE	1-1445719-1
3	2, 3, 7.	TIN-LEAD OVER NICKEL	30°	WHITE	BREAKAWAY	1-1445719-0
3	2, 3, 7.	TIN-LEAD OVER NICKEL	0°	BLACK	POSITIVE	1445719-9
4	2, 3, 5, 6.	TIN-LEAD OVER NICKEL	30°	WHITE	BREAKAWAY	1445719-8
4	2, 3, 5, 6.	TIN-LEAD OVER NICKEL	0°	BLACK	POSITIVE	1445719-7
5	2, 3, 4, 5, 6.	TIN-LEAD OVER NICKEL	30°	WHITE	BREAKAWAY	1445719-6
5	2, 3, 4, 5, 6.	TIN-LEAD OVER NICKEL	0°	BLACK	POSITIVE	1445719-5
6	1, 2, 3, 5, 6, 7.	TIN-LEAD OVER NICKEL	30°	WHITE	BREAKAWAY	1445719-4
6	1, 2, 3, 5, 6, 7.	TIN-LEAD OVER NICKEL	0°	BLACK	POSITIVE	1445719-3
7	ALL	TIN-LEAD OVER NICKEL	30°	WHITE	BREAKAWAY	1445719-2
7	ALL	TIN-LEAD OVER NICKEL	0°	BLACK	POSITIVE	1445719-1

QTY	CIRCUITS LOADED	FINISH	A	COLOR	LATCH	PART NUMBER
		CONTACTS	HOUSING		PART NUMBER	

DIMENSIONS: mm		TOLERANCES UNLESS OTHERWISE SPECIFIED:		DWN: SHANE WIEST 01AUG2001		ECHO: G DOUTY 01AUG2001		APVD: H. WAKEEM 28JUL2004		NAME: RECEPTACLE ASSEMBLY, 7 POSITION, PANEL MOUNT, SPRING PROBE, SOLDER TAIL, MICRO CPC	
MATERIAL: SEE CALLOUT		FINISH: SEE CALLOUT		WEIGHT: -		SIZE: A100779		CAGE CODE: -		DRAWING NO: 1445719	
				CUSTOMER DRAWING		SCALE: 5:1		SHEET: 1 OF 1		REV: C	