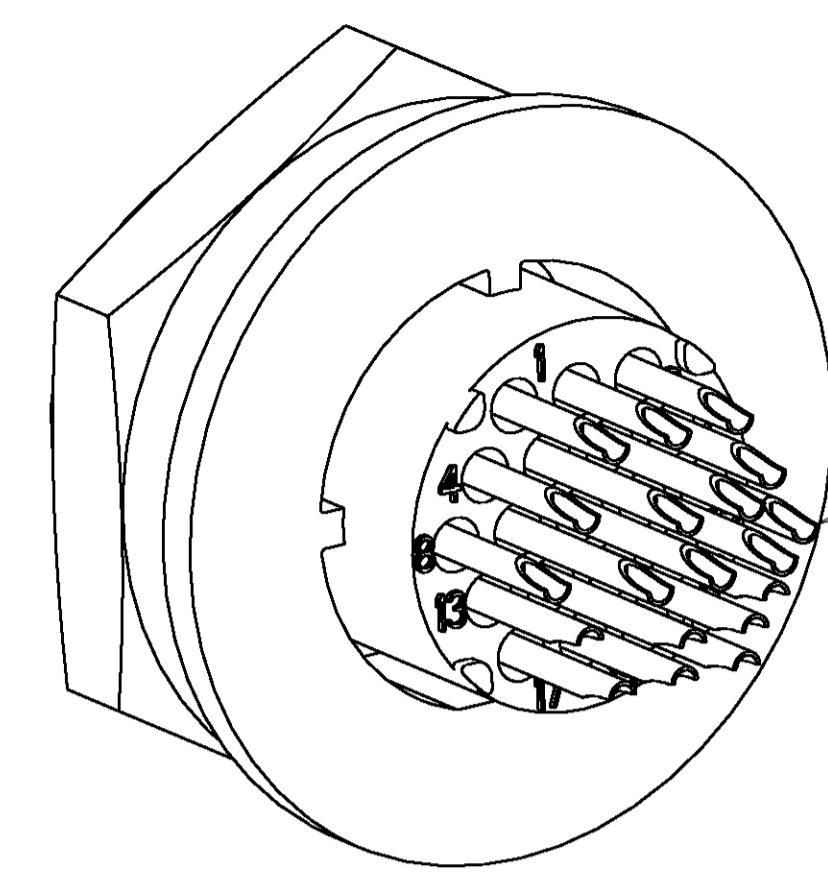
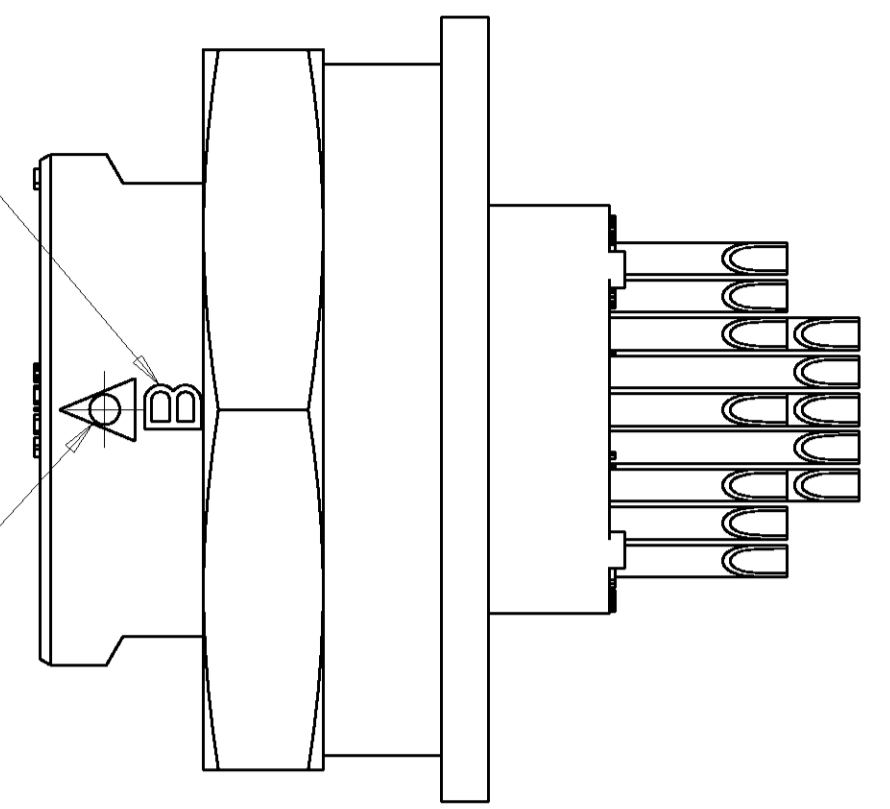


LOC		DIST		REVISIONS			
FT	0	P	LTR	DESCRIPTION	DATE	DWN	APVD
		E1		REVISED ECO-06-029818	02JAN2007	SW	DC

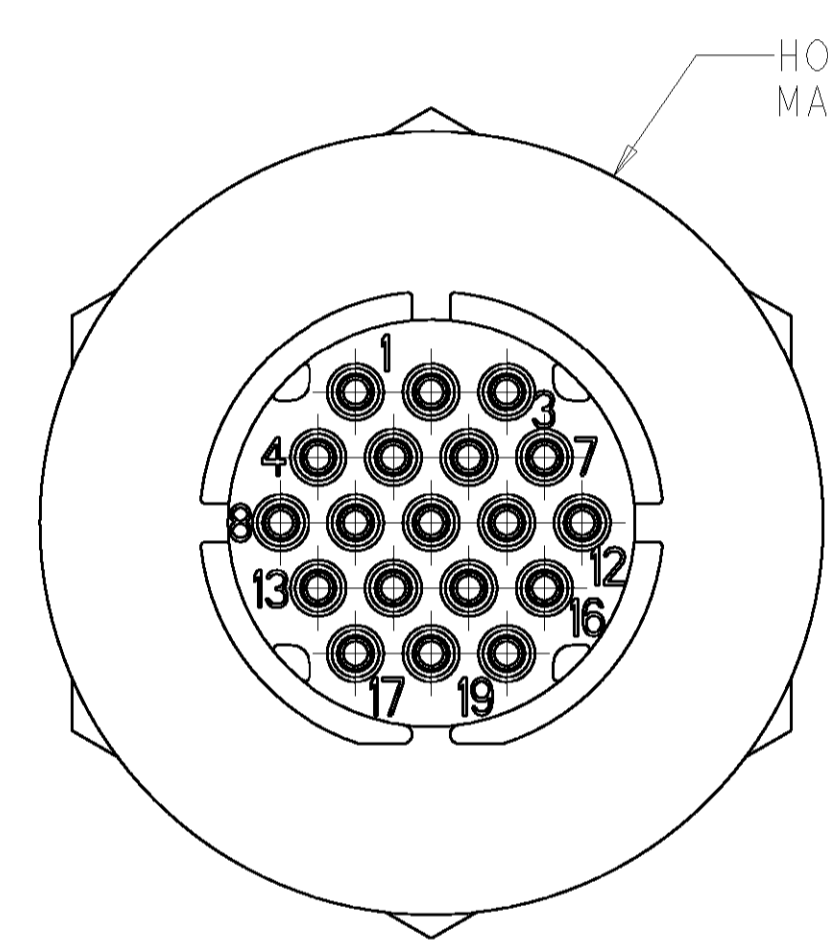
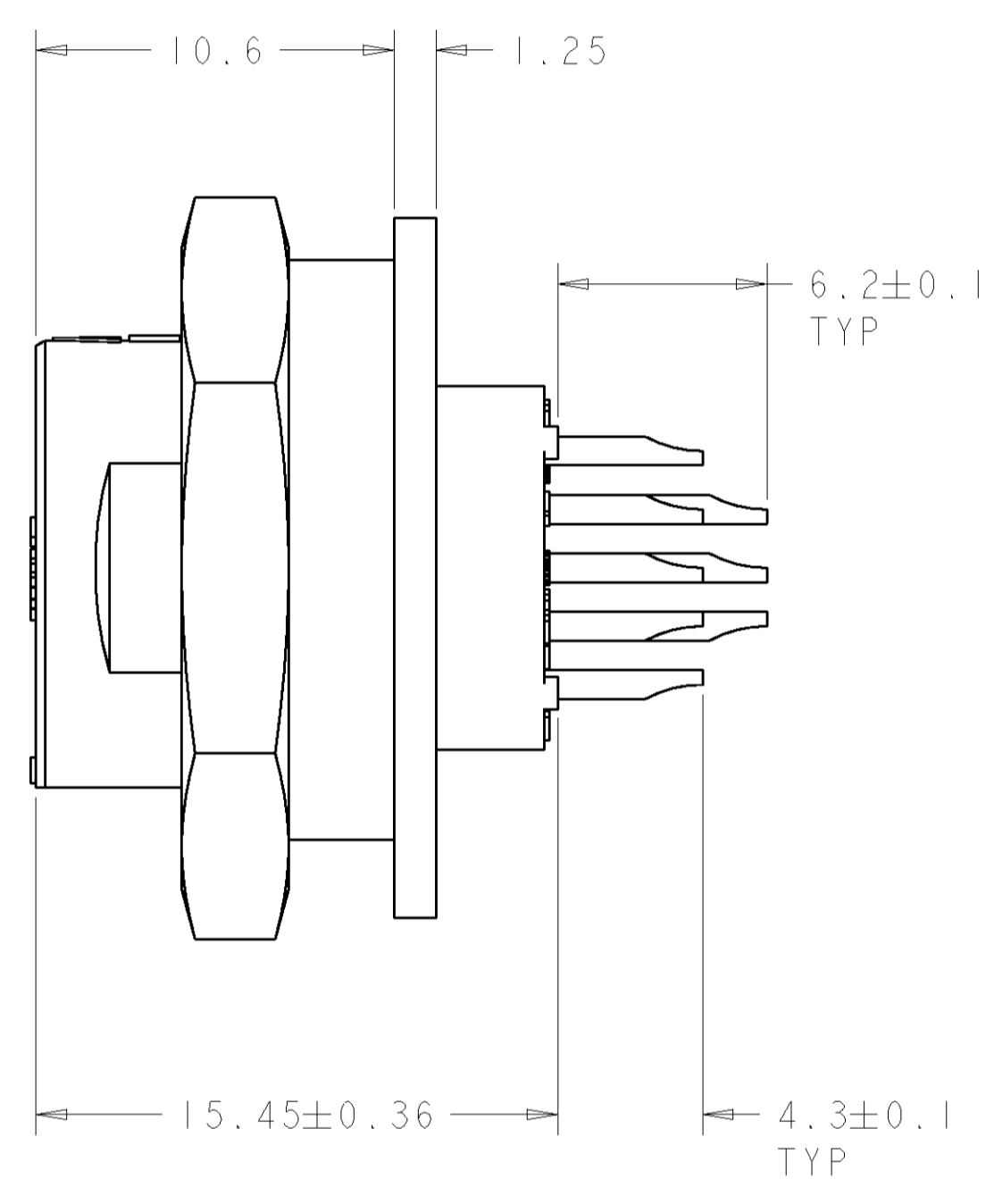
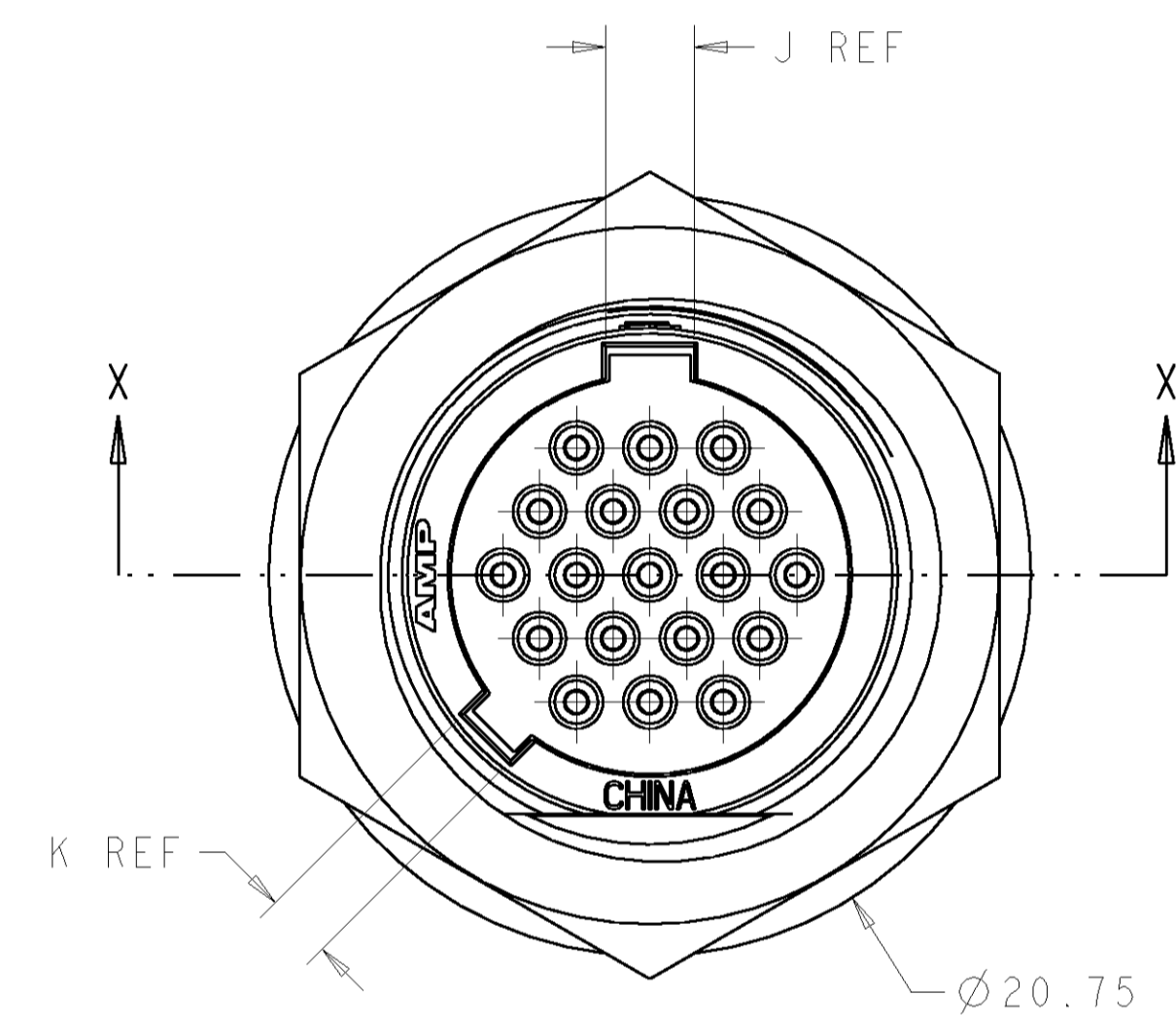
LATCH IDENTIFIER
 B-BREAKAWAY LATCH, BREAKAWAY VERSION ONLY
 MAY BE ORIENTED IN ANY DIRECTION

ALIGNMENT INDICATOR

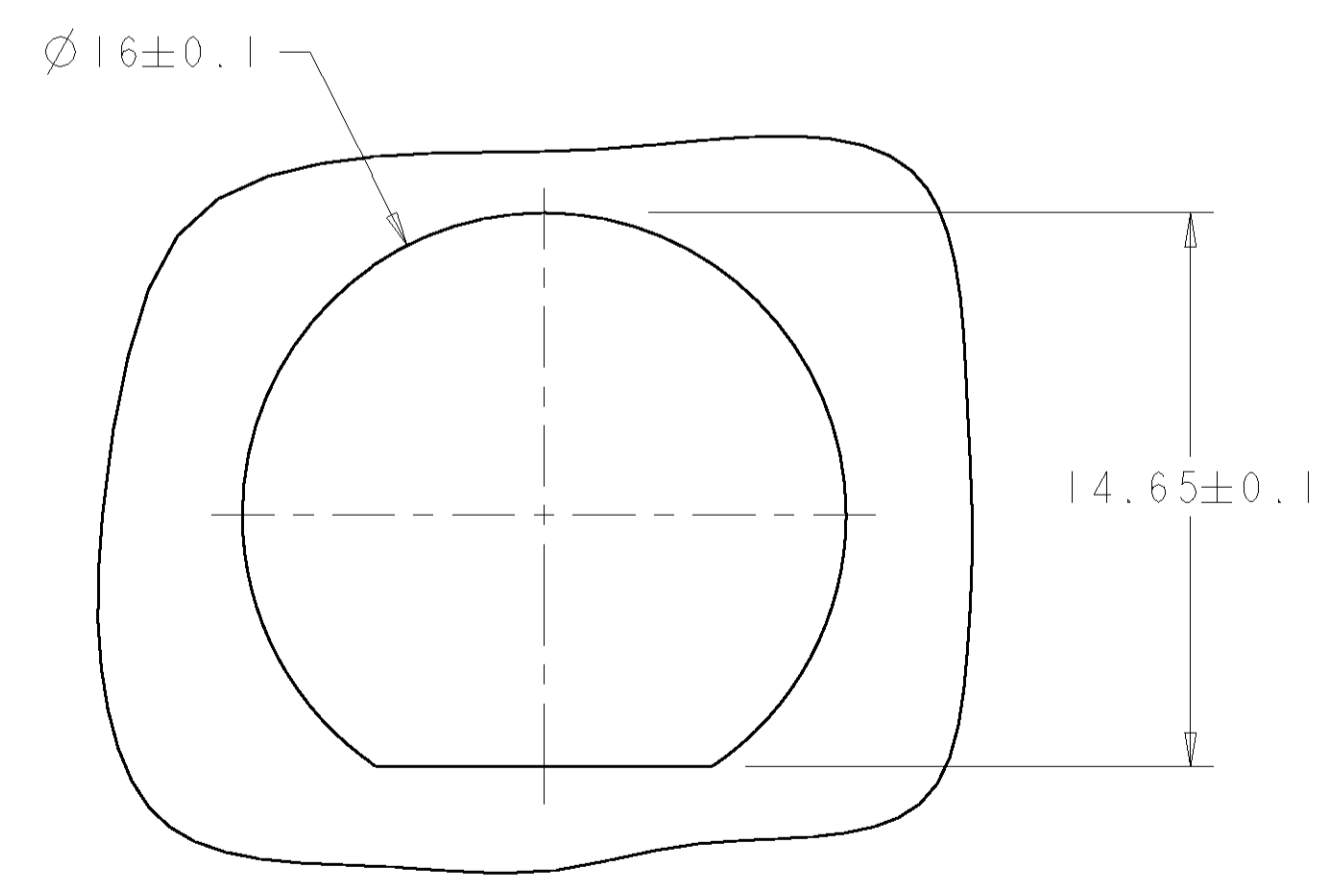


SOLDER TERMINATION
 AREA OF ALL CONTACTS
 IN CIRCUITS #8 THRU #12
 MAY BE ORIENTED UP OR DOWN

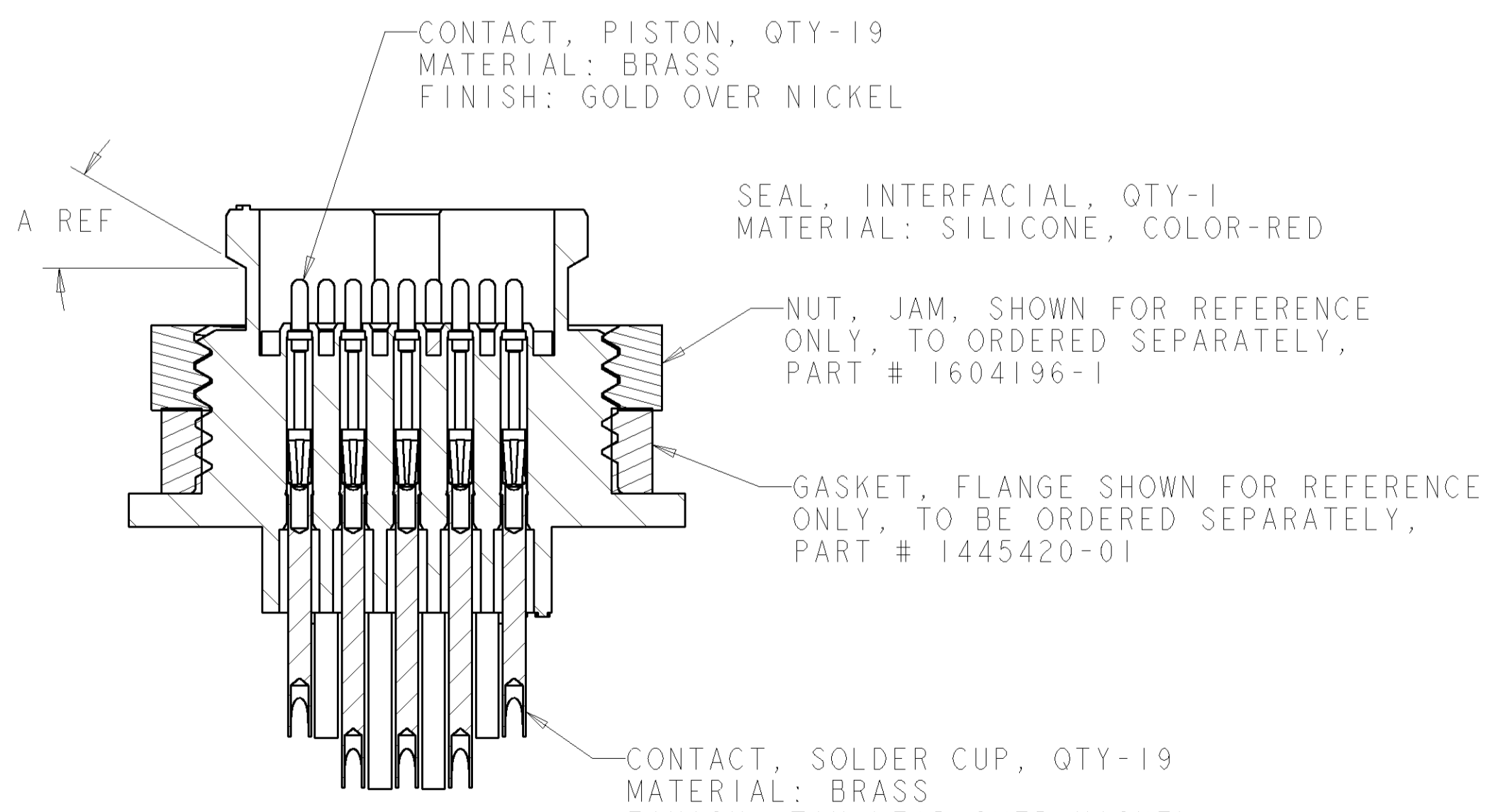
VIEW Z



HOUSING, QTY-1
 MATERIAL: THERMOPLASTIC, COLOR-SEE TABLE



SUGGESTED PANEL CUTOUT
 3.18 MAX PANEL THICKNESS



SECTION X-X

CONTACT, PISTON, QTY-19
 MATERIAL: BRASS
 FINISH: GOLD OVER NICKEL

SEAL, INTERFACIAL, QTY-1
 MATERIAL: SILICONE, COLOR-RED

NUT, JAM, SHOWN FOR REFERENCE
 ONLY, TO ORDERED SEPARATELY,
 PART # 1604196-1

GASKET, FLANGE SHOWN FOR REFERENCE
 ONLY, TO BE ORDERED SEPARATELY,
 PART # 1445420-01

CONTACT, SOLDER CUP, QTY-19
 MATERIAL: BRASS
 FINISH: TIN-LEAD OVER NICKEL
 SEE VIEW Z FOR CONTACT ORIENTATION

DIMENSIONS:		TOLERANCES UNLESS OTHERWISE SPECIFIED:		DWN: SHANE WIEST 22AUG2001		tyco Tyco Electronics Harrisburg, PA 17105-3608	
mm	0 PLC ±	1 PLC ±	2 PLC ±0.13	3 PLC ±	4 PLC ±	NAME: ASSEMBLY, RECEPTACLE, FLANGE, SPRING PROBE, SOLDER CUP, 19 POSITION, MICRO CPC	
MATERIAL: SEE CALLOUT	FINISH: SEE CALLOUT	APVD: H. WAKEEM 29JUL2004		PRODUCT SPEC:		SIZE: CAGE CODE: DRAWING NO: RESTRICTED TO	
CUSTOMER DRAWING				WEIGHT: -		A100779C=1445759	
SCALE: 5:1				SHEET: 1 OF 2		REV: E1	

LOC	DIST	REVISIONS					
FT	0	P.	LTR	DESCRIPTION	DATE	DWN	APVD
-	-	-	-	SEE SHEET 1	-	-	-

11	4-7,9,10,11,13-16	TIN OVER NICKEL	A	1.8	2.4	30°	BREAKAWAY	RED	WHITE	4-1445759-3
11	4-7,9,10,11,13-16	TIN OVER NICKEL	A	1.8	2.4	0°	POSITIVE	RED	BLACK	4-1445759-2
10	4-7,9,11,13-16	TIN OVER NICKEL	A	1.8	2.4	30°	BREAKAWAY	RED	WHITE	4-1445759-1
10	4-7,9,11,13-16	TIN OVER NICKEL	A	1.8	2.4	0°	POSITIVE	RED	BLACK	4-1445759-0
8	1,3,5,6,14,15,17,19	TIN OVER NICKEL	A	1.8	2.4	30°	BREAKAWAY	RED	WHITE	3-1445759-9
8	1,3,5,6,14,15,17,19	TIN OVER NICKEL	A	1.8	2.4	0°	POSITIVE	RED	BLACK	3-1445759-8
9	1-3,8,10,12,17-19	TIN OVER NICKEL	B	2.4	1.8	0°	POSITIVE	YELLOW	BLACK	3-1445759-7
9	1-3,8,10,12,17-19	TIN OVER NICKEL	A	1.8	2.4	0°	POSITIVE	RED	BLACK	3-1445759-6
12	1-4,7,8,12,13,16-19	TIN OVER NICKEL	A	1.8	2.4	30°	BREAKAWAY	RED	WHITE	3-1445759-5
12	1-4,7,8,12,13,16-19	TIN OVER NICKEL	A	1.8	2.4	0°	POSITIVE	RED	BLACK	3-1445759-4
13	1-4,7,8,10,12,13,16-19	TIN OVER NICKEL	A	1.8	2.4	30°	BREAKAWAY	RED	WHITE	3-1445759-3
13	1-4,7,8,10,12,13,16-19	TIN OVER NICKEL	A	1.8	2.4	0°	POSITIVE	RED	BLACK	3-1445759-2
14	1-4,7-9,11-13,16-19	TIN OVER NICKEL	A	1.8	2.4	30°	BREAKAWAY	RED	WHITE	3-1445759-1
14	1-4,7-9,11-13,16-19	TIN OVER NICKEL	A	1.8	2.4	0°	POSITIVE	RED	BLACK	3-1445759-0
15	1-4,7-13,16-19	TIN OVER NICKEL	A	1.8	2.4	30°	BREAKAWAY	RED	WHITE	2-1445759-9
15	1-4,7-13,16-19	TIN OVER NICKEL	A	1.8	2.4	0°	POSITIVE	RED	BLACK	2-1445759-8
16	1-8,12-19	TIN OVER NICKEL	A	1.8	2.4	30°	BREAKAWAY	RED	WHITE	2-1445759-7
16	1-8,12-19	TIN OVER NICKEL	A	1.8	2.4	0°	POSITIVE	RED	BLACK	2-1445759-6
17	1-8,10,12-19	TIN OVER NICKEL	A	1.8	2.4	30°	BREAKAWAY	RED	WHITE	2-1445759-5
17	1-8,10,12-19	TIN OVER NICKEL	A	1.8	2.4	0°	POSITIVE	RED	BLACK	2-1445759-4
18	1-9,11-19	TIN OVER NICKEL	A	1.8	2.4	30°	BREAKAWAY	RED	WHITE	2-1445759-3
18	1-9,11-19	TIN OVER NICKEL	A	1.8	2.4	0°	POSITIVE	RED	BLACK	2-1445759-2
19	ALL	TIN OVER NICKEL	A	1.8	2.4	30°	BREAKAWAY	RED	WHITE	2-1445759-1
19	ALL	TIN OVER NICKEL	A	1.8	2.4	0°	POSITIVE	RED	BLACK	2-1445759-0
19	ALL	TIN-LEAD OVER NICKEL	B	2.4	1.8	0°	POSITIVE	YELLOW	BLACK	1-1445759-8
9	1-3,8,10,12,17-19	TIN-LEAD OVER NICKEL	A	1.8	2.4	0°	POSITIVE	RED	BLACK	1-1445759-7
12	1-4,7,8,12,13,16-19	TIN-LEAD OVER NICKEL	A	1.8	2.4	30°	BREAKAWAY	RED	WHITE	1-1445759-6
12	1-4,7,8,12,13,16-19	TIN-LEAD OVER NICKEL	A	1.8	2.4	0°	POSITIVE	RED	BLACK	1-1445759-5
13	1-4,7,8,10,12,13,16-19	TIN-LEAD OVER NICKEL	A	1.8	2.4	30°	BREAKAWAY	RED	WHITE	1-1445759-4
13	1-4,7,8,10,12,13,16-19	TIN-LEAD OVER NICKEL	A	1.8	2.4	0°	POSITIVE	RED	BLACK	1-1445759-3
14	1-4,7-9,11-13,16-19	TIN-LEAD OVER NICKEL	A	1.8	2.4	30°	BREAKAWAY	RED	WHITE	1-1445759-2
14	1-4,7-9,11-13,16-19	TIN-LEAD OVER NICKEL	A	1.8	2.4	0°	POSITIVE	RED	BLACK	1-1445759-1
15	1-4,7-13,16-19	TIN-LEAD OVER NICKEL	A	1.8	2.4	30°	BREAKAWAY	RED	WHITE	1-1445759-0
15	1-4,7-13,16-19	TIN-LEAD OVER NICKEL	A	1.8	2.4	0°	POSITIVE	RED	BLACK	1445759-9
16	1-8,12-19	TIN-LEAD OVER NICKEL	A	1.8	2.4	30°	BREAKAWAY	RED	WHITE	1445759-8
16	1-8,12-19	TIN-LEAD OVER NICKEL	A	1.8	2.4	0°	POSITIVE	RED	BLACK	1445759-7
17	1-8,10,12-19	TIN-LEAD OVER NICKEL	A	1.8	2.4	30°	BREAKAWAY	RED	WHITE	1445759-6
17	1-8,10,12-19	TIN-LEAD OVER NICKEL	A	1.8	2.4	0°	POSITIVE	RED	BLACK	1445759-5
18	1-9,11-19	TIN-LEAD OVER NICKEL	A	1.8	2.4	30°	BREAKAWAY	RED	WHITE	1445759-4
18	1-9,11-19	TIN-LEAD OVER NICKEL	A	1.8	2.4	0°	POSITIVE	RED	BLACK	1445759-3
19	ALL	TIN-LEAD OVER NICKEL	A	1.8	2.4	30°	BREAKAWAY	RED	WHITE	1445759-2
19	ALL	TIN-LEAD OVER NICKEL	A	1.8	2.4	0°	POSITIVE	RED	BLACK	1445759-1
QTY	SELECT LOADED IN CIRCUITS	FINISH	CODE	K	J	A	DESCRIPTION	SEAL COLOR	HOUSING COLOR	PART NUMBER
CONTACT			KEYING CONFIGURATION		LATCH CONFIGURATION					

DIMENSIONS: mm 		TOLERANCES UNLESS OTHERWISE SPECIFIED: 0 PLC ± 1 PLC ±0.13 2 PLC ± 3 PLC ± 4 PLC ± ANGLES ±		DWN SHANE WIESE 22AUG2001 CHK G DOUTY 22AUG2001 APVD H. WAKEEM 29JUL2004		tyco Tyco Electronics Harrisburg, PA 17105-3608	
MATERIAL - FINISH -		WEIGHT - CUSTOMER DRAWING		NAME ASSEMBLY, RECEPTACLE, FLANGE, SPRING PROBE, SOLDER CUP, 19 POSITION, MICRO CPC SIZE CAGE CODE DRAWING NO. RESTRICTED TO A100779C=1445759		SCALE 3:1 SHEET 2 OF 2 REV E	