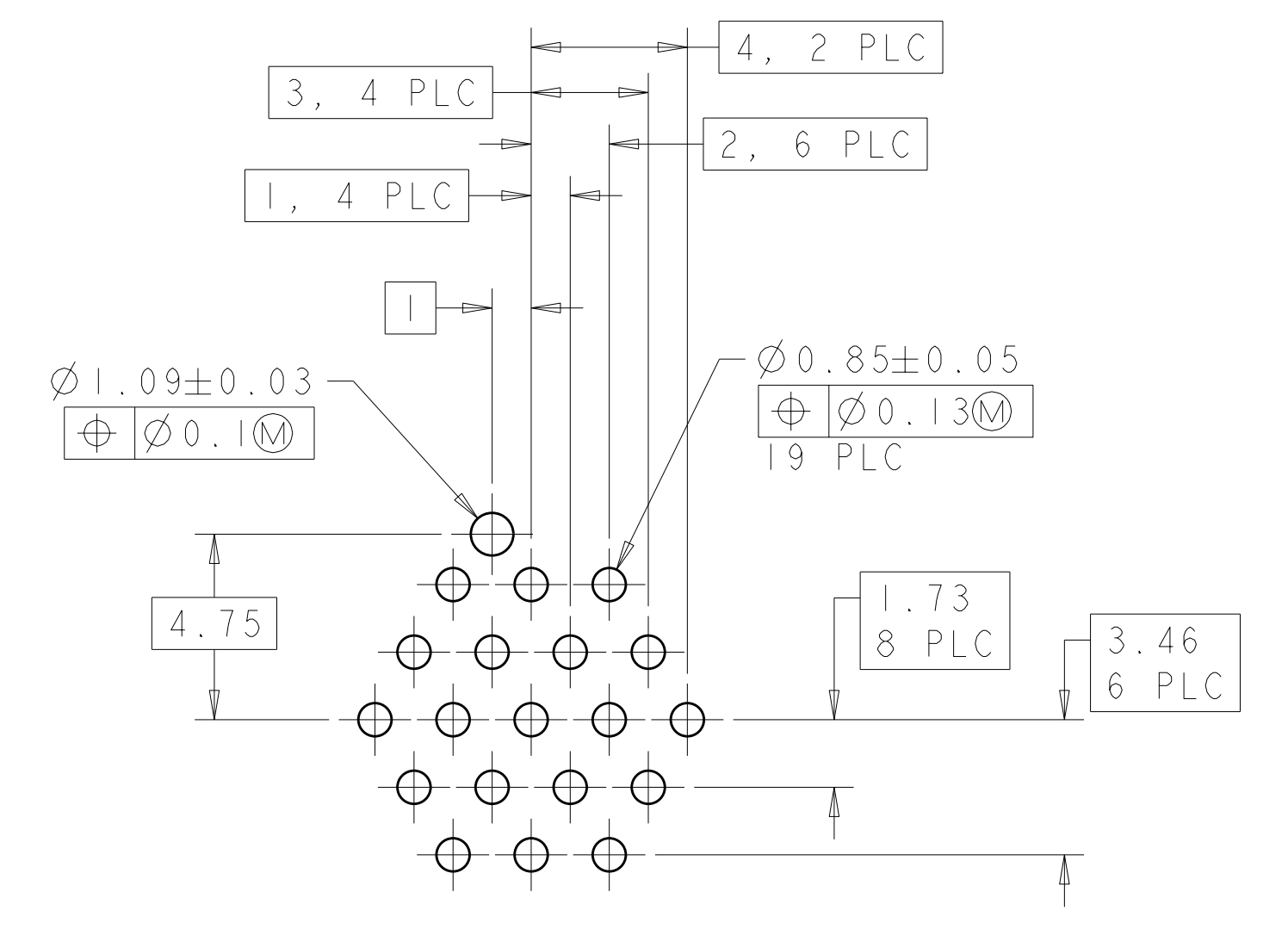
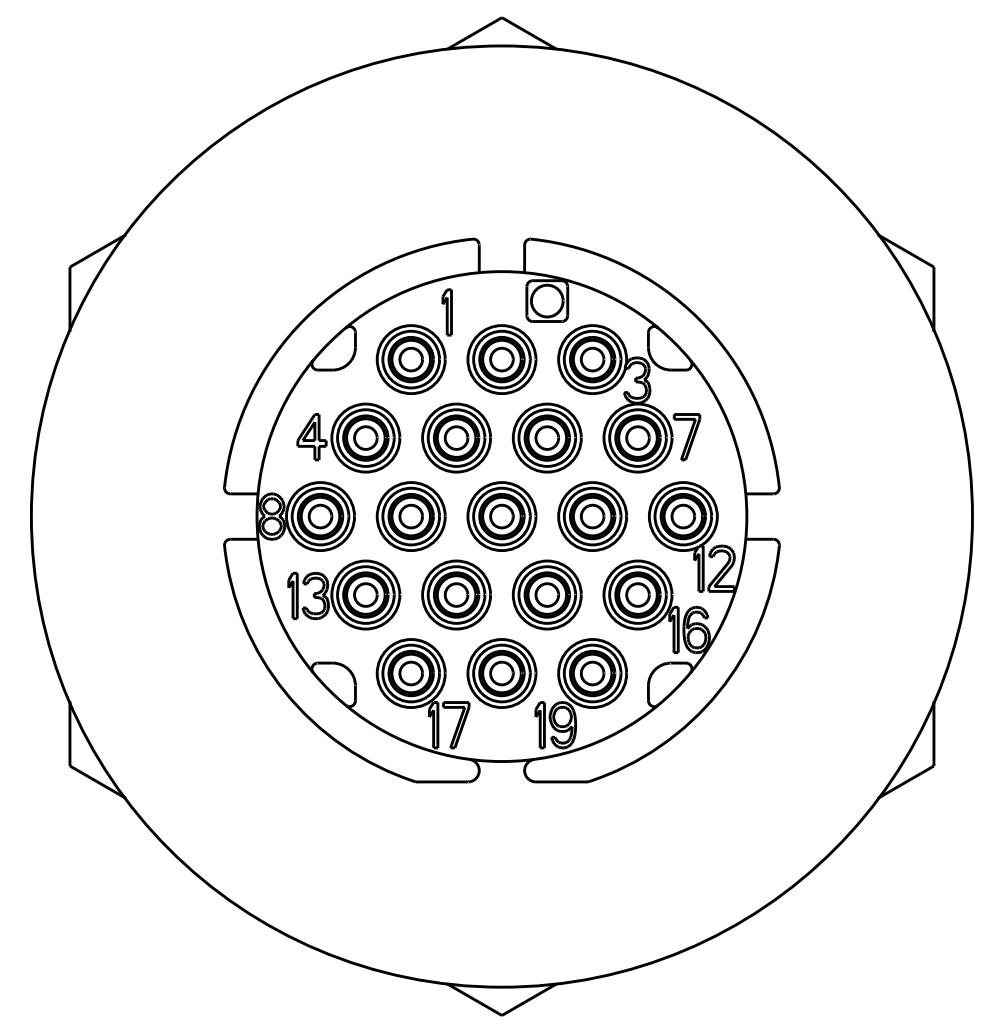
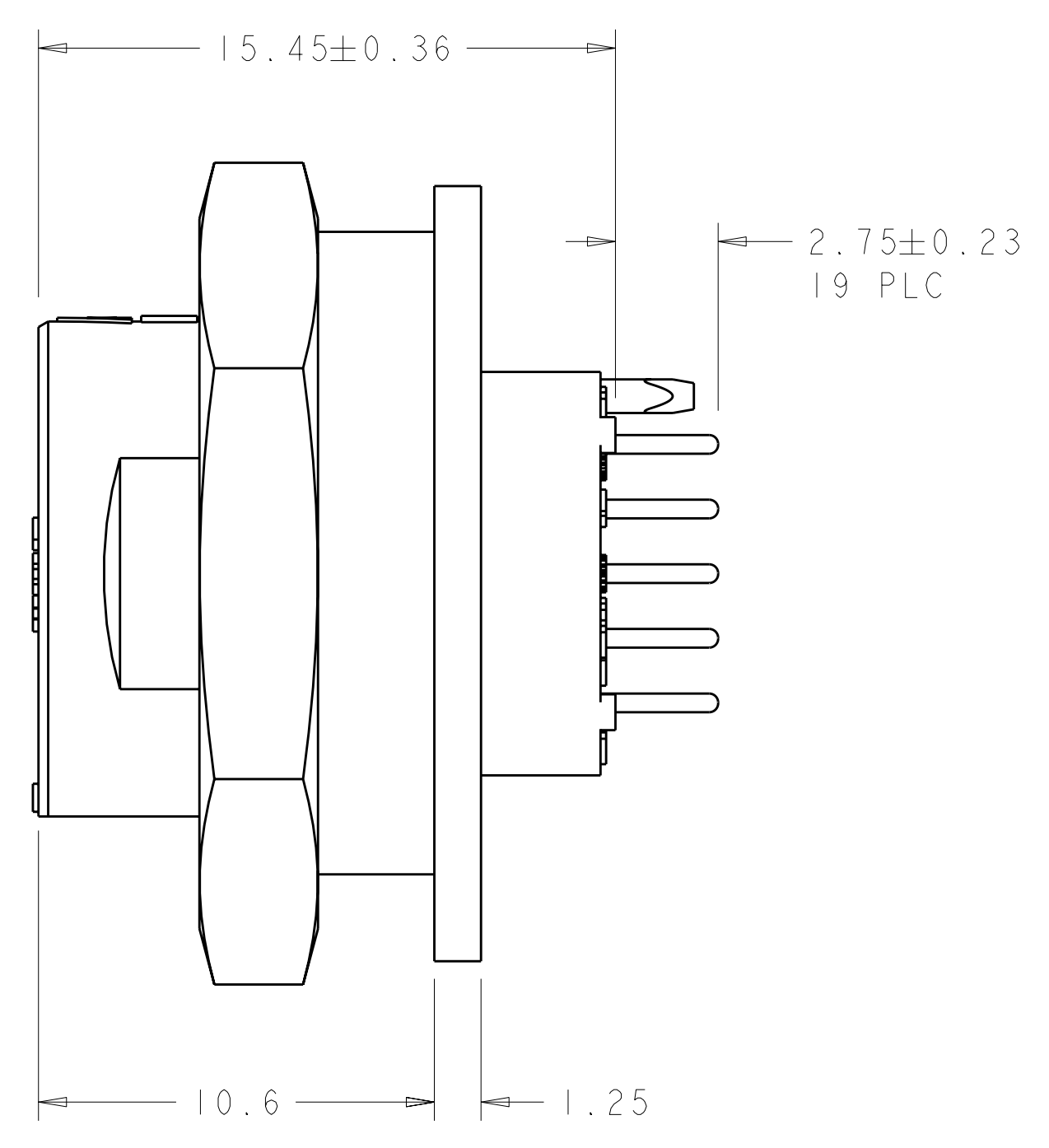
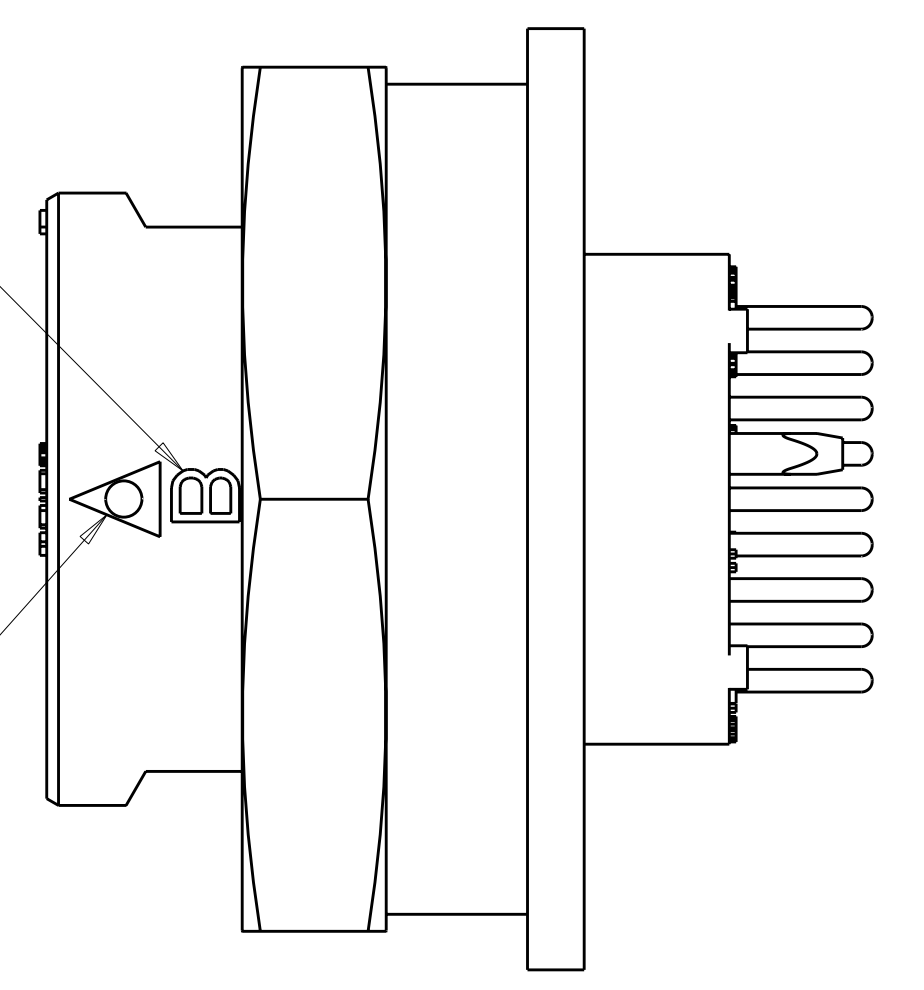


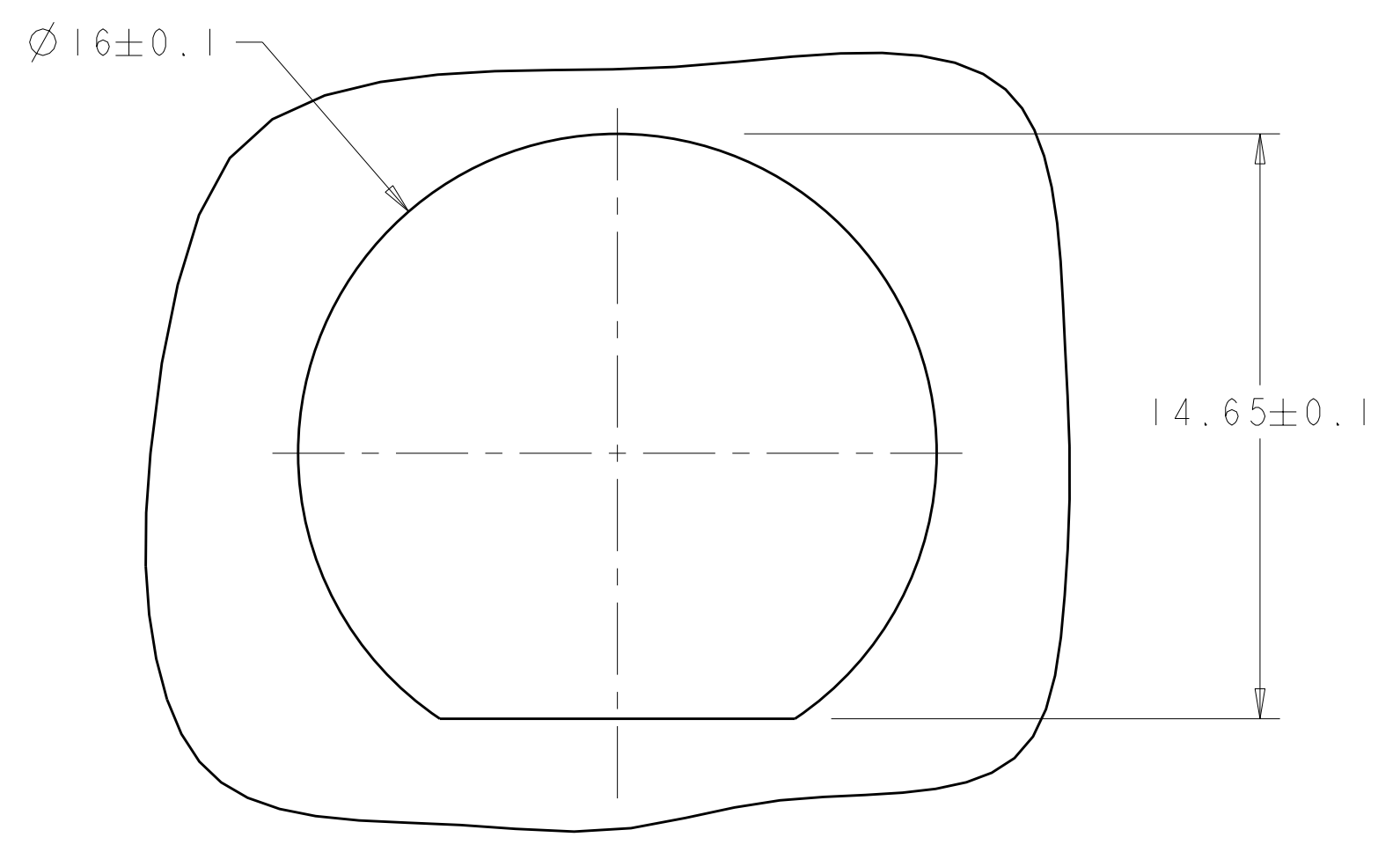
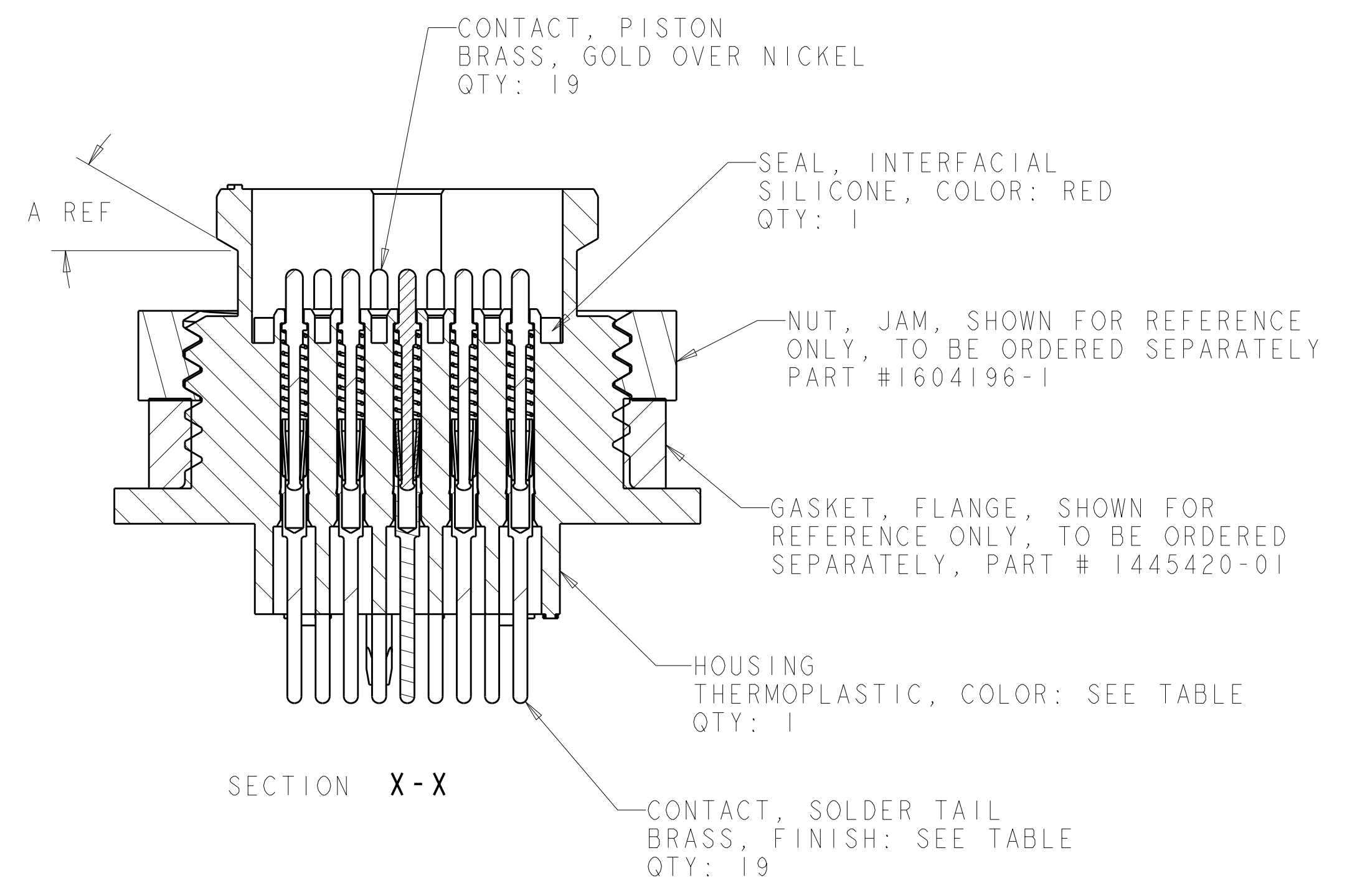
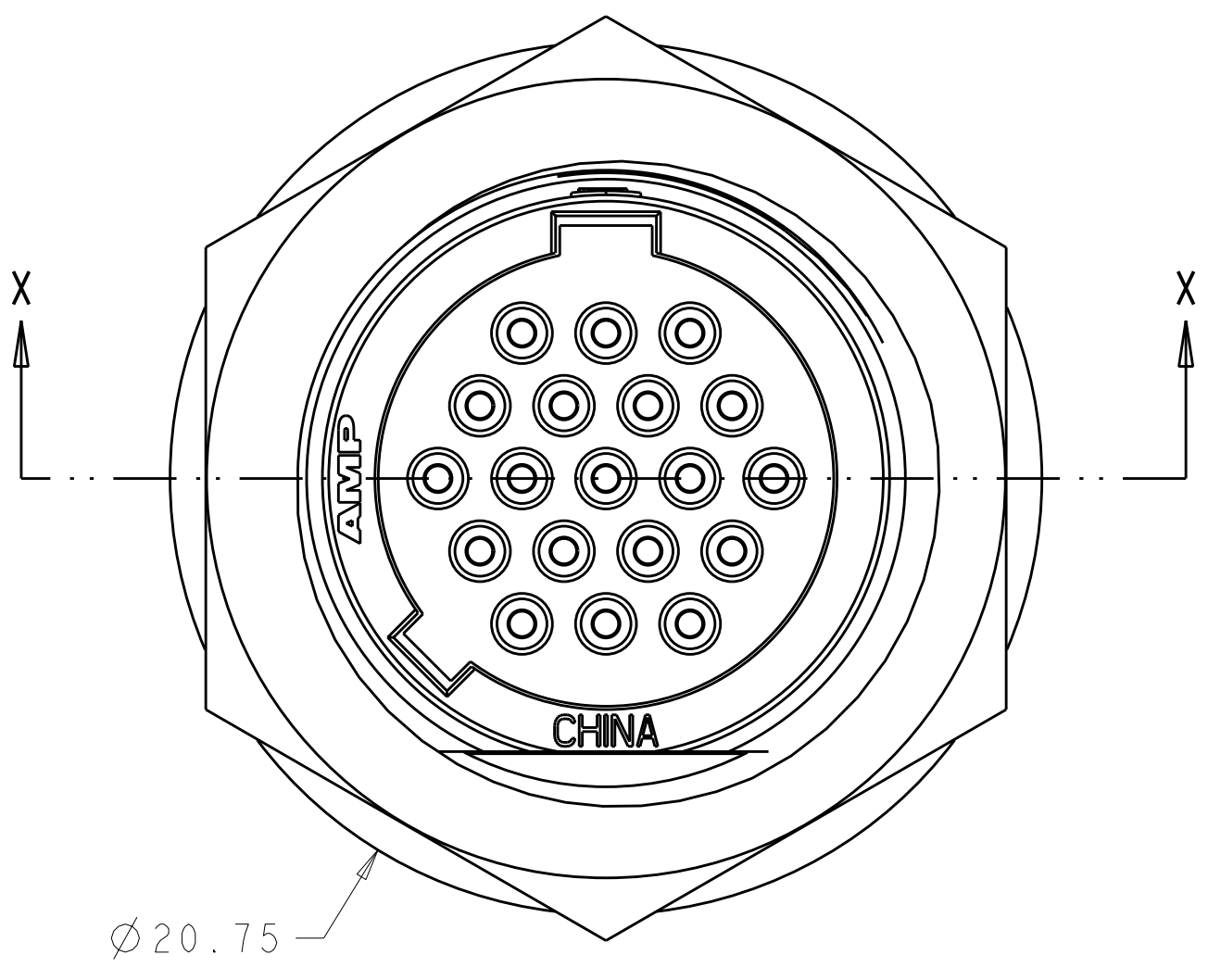
LOC	DIST	REV	DATE	BY	APPD
FT	0	D1	02JAN2001	SW	DC

LATCH IDENTIFIER  
 B-BREAKAWAY LATCH  
 BREAKAWAY VERSION ONLY,  
 MAY BE ORIENTED IN ANY DIRECTION

ALIGNMENT INDICATOR



SUGGESTED PRINTED CIRCUIT BOARD LAYOUT



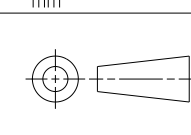
SUGGESTED PANEL CUTOUT  
 3.18 MAX PANEL THICKNESS

DIMENSIONS: mm 		TOLERANCES UNLESS OTHERWISE SPECIFIED: 0 PLC ± 1 PLC ± 2 PLC ±0.13 3 PLC ± 4 PLC ± ANGLES ± FINISH SEE CALLOUT		DWN SHANE WIESE 22AUG2001 CHK G DOUTY 22AUG2001 APVD H WAKEEM 29JUL2004 PRODUCT SPEC APPLICATION SPEC WEIGHT CUSTOMER DRAWING		Tyco Electronics Harrisburg, PA 17105-3608 NAME RECEPTACLE ASSEMBLY, 19 POSITION, SPRING PROBE, SOLDER TAIL, FLANGE, VERTICAL, MICRO CPC SIZE CAGE CODE DRAWING NO. RESTRICTED TO A1100779C=1445758 SCALE 6:1 SHEET 1 OF 2 REV D1	
-----------------------	--	--	--	---	--	--	--

THIS DRAWING IS UNPUBLISHED. RELEASED FOR PUBLICATION 20  
 © COPYRIGHT 20 BY TYCO ELECTRONICS CORPORATION, ALL RIGHTS RESERVED.

LOC		DIST		REVISIONS			
FT	0	P	LTB	DESCRIPTION	DATE	DWN	APVD
		-	-	SEE SHEET 1	-	-	-

11	4-7,9,10,11,13-16	TIN OVER NICKEL	30°	WHITE	BREAKAWAY	4-1445758-4
11	4-7,9,10,11,13-16	TIN OVER NICKEL	0°	BLACK	POSITIVE	4-1445758-3
10	4-7,9,11,13-16	TIN OVER NICKEL	30°	WHITE	BREAKAWAY	4-1445758-2
10	4-7,9,11,13-16	TIN OVER NICKEL	0°	BLACK	POSITIVE	4-1445758-1
8	1,3,5,6,14,15,17,19	TIN OVER NICKEL	30°	WHITE	BREAKAWAY	4-1445758-0
8	1,3,5,6,14,15,17,19	TIN OVER NICKEL	0°	BLACK	POSITIVE	3-1445758-9
9	2,5,6,9-11,14,15,18	TIN OVER NICKEL	0°	BLACK	POSITIVE	3-1445758-8
12	1-4,7,8,12,13,16-19	TIN OVER NICKEL	0°	BLACK	POSITIVE	3-1445758-7
9	2,5,6,9-11,14,15,18	TIN OVER NICKEL	0°	BLACK	POSITIVE	3-1445758-6
12	1-4,7,8,12,13,16-19	TIN OVER NICKEL	30°	WHITE	BREAKAWAY	3-1445758-5
12	1-4,7,8,12,13,16-19	TIN OVER NICKEL	0°	BLACK	POSITIVE	3-1445758-4
13	1-4,7,8,10,12,13,16-19	TIN OVER NICKEL	30°	WHITE	BREAKAWAY	3-1445758-3
13	1-4,7,8,10,12,13,16-19	TIN OVER NICKEL	0°	BLACK	POSITIVE	3-1445758-2
14	1-4,7-9,11-13,16-19	TIN OVER NICKEL	30°	WHITE	BREAKAWAY	3-1445758-1
14	1-4,7-9,11-13,16-19	TIN OVER NICKEL	0°	BLACK	POSITIVE	3-1445758-0
15	1-4,7-13,16-19	TIN OVER NICKEL	30°	WHITE	BREAKAWAY	2-1445758-9
15	1-4,7-13,16-19	TIN OVER NICKEL	0°	BLACK	POSITIVE	2-1445758-8
16	1-8,12,13-19	TIN OVER NICKEL	30°	WHITE	BREAKAWAY	2-1445758-7
16	1-8,12,13-19	TIN OVER NICKEL	0°	BLACK	POSITIVE	2-1445758-6
17	1-8,10,12-19	TIN OVER NICKEL	30°	WHITE	BREAKAWAY	2-1445758-5
17	1-8,10,12-19	TIN OVER NICKEL	0°	BLACK	POSITIVE	2-1445758-4
18	1-9,11-19	TIN OVER NICKEL	30°	WHITE	BREAKAWAY	2-1445758-3
18	1-9,11-19	TIN OVER NICKEL	0°	BLACK	POSITIVE	2-1445758-2
19	ALL	TIN OVER NICKEL	30°	WHITE	BREAKAWAY	2-1445758-1
19	ALL	TIN OVER NICKEL	0°	BLACK	POSITIVE	2-1445758-0
9	2,5,6,9-11,14,15,18	TIN-LEAD OVER NICKEL	0°	BLACK	POSITIVE	1-1445758-7
12	1-4,7,8,12,13,16-19	TIN-LEAD OVER NICKEL	30°	WHITE	BREAKAWAY	1-1445758-6
12	1-4,7,8,12,13,16-19	TIN-LEAD OVER NICKEL	0°	BLACK	POSITIVE	1-1445758-5
13	1-4,7,8,10,12,13,16-19	TIN-LEAD OVER NICKEL	30°	WHITE	BREAKAWAY	1-1445758-4
13	1-4,7,8,10,12,13,16-19	TIN-LEAD OVER NICKEL	0°	BLACK	POSITIVE	1-1445758-3
14	1-4,7-9,11-13,16-19	TIN-LEAD OVER NICKEL	30°	WHITE	BREAKAWAY	1-1445758-2
14	1-4,7-9,11-13,16-19	TIN-LEAD OVER NICKEL	0°	BLACK	POSITIVE	1-1445758-1
15	1-4,7-13,16-19	TIN-LEAD OVER NICKEL	30°	WHITE	BREAKAWAY	1-1445758-0
15	1-4,7-13,16-19	TIN-LEAD OVER NICKEL	0°	BLACK	POSITIVE	1445758-9
16	1-8,12,13-19	TIN-LEAD OVER NICKEL	30°	WHITE	BREAKAWAY	1445758-8
16	1-8,12,13-19	TIN-LEAD OVER NICKEL	0°	BLACK	POSITIVE	1445758-7
17	1-8,10,12-19	TIN-LEAD OVER NICKEL	30°	WHITE	BREAKAWAY	1445758-6
17	1-8,10,12-19	TIN-LEAD OVER NICKEL	0°	BLACK	POSITIVE	1445758-5
18	1-9,11-19	TIN-LEAD OVER NICKEL	30°	WHITE	BREAKAWAY	1445758-4
18	1-9,11-19	TIN-LEAD OVER NICKEL	0°	BLACK	POSITIVE	1445758-3
19	ALL	TIN-LEAD OVER NICKEL	30°	WHITE	BREAKAWAY	1445758-2
19	ALL	TIN-LEAD OVER NICKEL	0°	BLACK	POSITIVE	1445758-1
QTY	CIRCUITS LOADED	FINISH	A	COLOR	LATCH	PART NUMBER
CONTACTS			HOUSING			PART NUMBER

DIMENSIONS: mm 		TOLERANCES UNLESS OTHERWISE SPECIFIED: 9 PLC ± 7 PLC ±0.13 5 PLC ± 4 PLC ± ANGLES ± FINISH SEE CALLOUT		DWN SHANE WIESE 22AUG2001 CHK G DOUTY 22AUG2001 APVD H. WAKEEM 29JUL2004		<b>tyco</b> Tyco Electronics <b>Electronics</b> Harrisburg, PA 17105-3608	
MATERIAL SEE CALLOUT		WEIGHT		NAME RECEPTACLE ASSEMBLY, 19 POSITION, SPRING PROBE, SOLDER TAIL, FLANGE, VERTICAL, MICRO CPC SIZE CAGE CODE DRAWING NO. A100779C=1445758		RESTRICTED TO	
CUSTOMER DRAWING				SCALE 3:1		SHEET 2 OF 2 REV D1	